

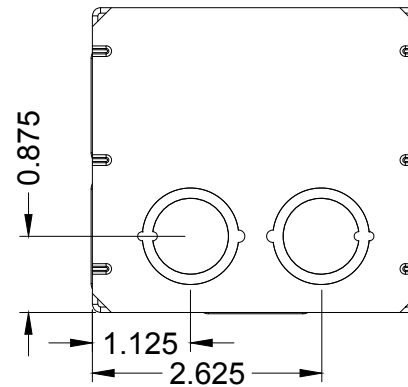
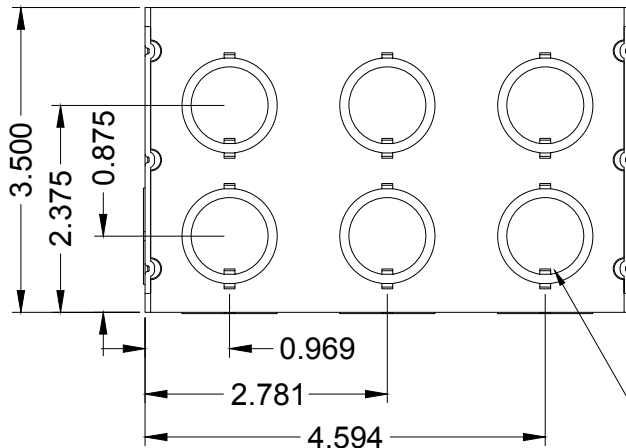
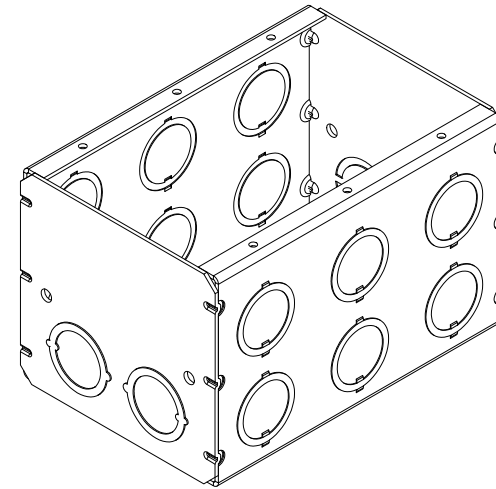
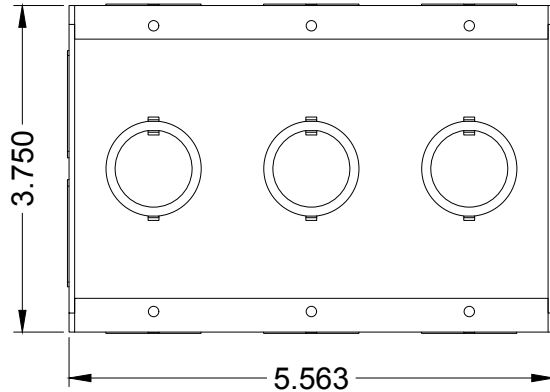
MINI SIZE BACK BOX

025BBX

MATES WITH
VERTICAL SLANT
STYLE POCKET



PROUDLY MADE
IN THE U.S.A.



1/2". 3/4" COMBINATION KNOCKOUTS

REVISION: 11/2019	FINISH :	COMPATIBLE POCKETS:	DESCRIPTION:	REV 1
ALL DIMENSIONS ARE FOR REFERENCE ONLY. ALL DIMENSIONS ARE IN INCHES	- Galvanized	Any Mini Size Stage Pocket: 025BK/025SS/025BR	Rough in Box for use when installing Mini Size Stage Pocket. Made from 1/16" steel.	SHEET 1 of 1