



ONE SYSTEMS[®]
ACOUSTIC EXCELLENCE[®]

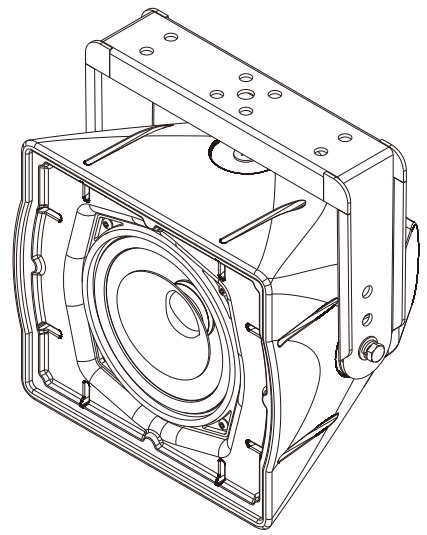
ONE.SP6

OVERVIEW:

The One Systems ONE.SP6 is a horn-loaded, weather-protected compact speaker. Its one-piece rotomolded enclosure is made of strong UV-resistant, High-Density Polyethylene (HDPE) with internal steel reinforcements. The enclosure is ported to enhance its low frequency extension, and its 6.5-inch coax driver is horn-loaded to achieve higher output than would otherwise be possible. The enclosure is equipped with 3 x M8 stainless steel rigging points, which can be used in conjunction with its included U-Bracket for mounting to walls or ceilings. A 35 mm / 1-3/8-inch speaker pole socket is also provided for temporary setups. Its 3-layer grille is made from CNC punched structural steel and is coated with a dual-layer, zinc-rich UV-resistant powder coat finish. The system's coax driver has a specially-treated cone that resists moisture and dry rot. Its high-energy ferrite magnets insure high output for maximum coverage. Its HF driver is equipped with a titanium diaphragm and is coupled to a short horn that provides good projection with superb pattern control. When pole mounting is required, optional mounting kits are available.

PERFORMANCE:

The ONE.SP6 provides high vocal intelligibility and impressive acoustic output capability from its compact enclosure. Its 1.34-inch compression driver with titanium diaphragm delivers extended response with precise transients. Thanks to the HF driver's larger size and through-the-pole piece design, it uses a lower crossover frequency for a smoother, more coherent sound. Its coaxially-mounted HF driver and horn provides a big, smooth, well-defined sound and identical coverage horizontally or vertically. The woofer's specially treated cone and surround provide superior resonance damping to improve its sound quality. Since both drivers have their own magnets and reside on the same frame, the ONE.SP6's sound is clean, detailed and precise.



FEATURES AND BENEFITS

- High-performance 6.5-inch two-way coaxial speaker provides high intelligibility and solid performance in a compact enclosure
- 150 watts continuous, 600 watts peak power handling (Lo-Z)
- Can be powered Lo-Z (8 ohms) or Hi-Z (70.7 or 100 volts) with selectable taps at 50, 25 or 12.5 watts
- 90° x 90° HF coverage
- Includes robust structural steel U-Bracket with dual-layer, zinc-rich powder coating
- Stainless steel rigging points provide safety and high corrosion resistance
- Built in 35 mm / 1-3/8-inch pole mount socket
- IP 55 direct weather rating
- Optional ONE.PMK and ONE.PMT pole mount kits are available for mounting to round or square poles

ONE.SP6 SPECIFICATIONS

Frequency Response: 120 - 18,000 Hz \pm 3 dB
Frequency Range: 110 - 20,000 Hz -10 dB
Power Handling: 150 watts continuous
 300 watts program
 600 watts peak *

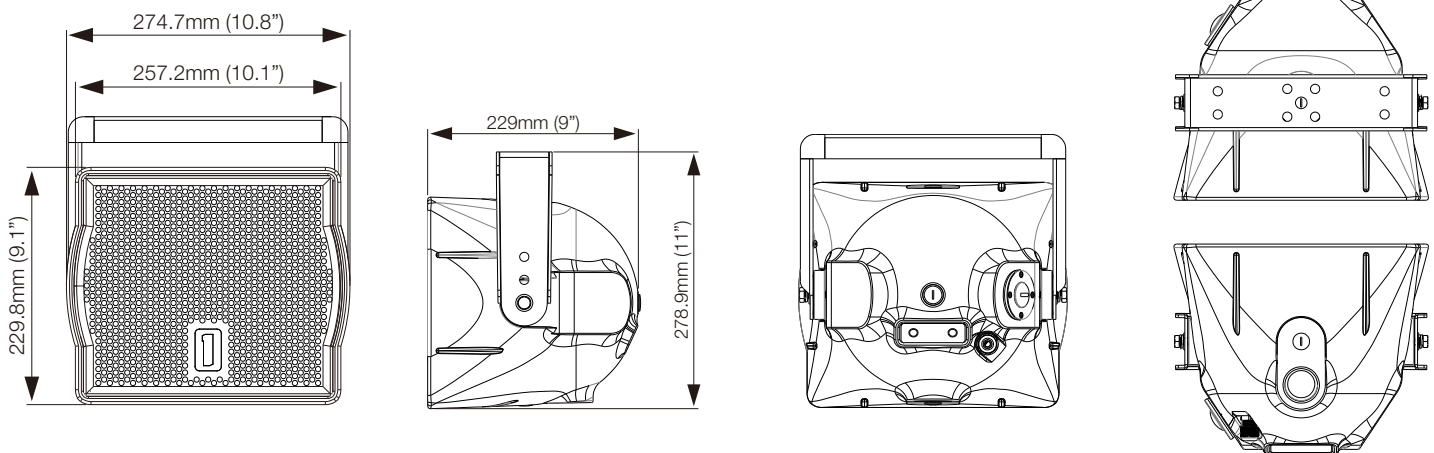
NOTE: All system power handling ratings are amplifier headroom dependent

Sensitivity (1 watt @1 meter): 93 dB
Calculated Output Capability: 115 dB continuous
 121 dB peak (Lo-Z)
Coverage (H x V): 90° x 90°
Nominal Impedance: Can be powered as an 8-ohm load or through autoformer taps at 50, 25 and 12.5 watts @ 70.7 or 100 volts

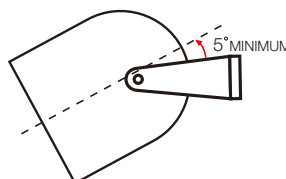
Input Connection: 2 m (6.6 ft) 5-conductor cable
LF Transducer: 6.5 in / 165.1 mm with 1.75 in voice coil
HF Transducer: 1.34 in with titanium diaphragm
Dimensions (H x W x D), mm: 229.9 x 274.7 x 229 mm
Dimensions (H x W x D), in: 9.1 x 10.8 x 9 in
Net Weight: 8 kg / 17.6 lb
Direct Weather Performance: IEC 60529 / IP 55
Finish: Gray
Recommended High-Pass: 110 Hz, 24 dB Butterworth
Optional Accessories:
Pole Mount Bracket: ONE.PMK
Tilt Pole Mount Bracket: ONE.PMT
EASE Data: www.onesystems.com/ease-data
Mounting Points: 3 x M8

DIRECT-WEATHER FEATURES

- Rotomolded enclosure is made of High-Density Polyethylene (HPDE) resin with steel reinforcements that provides very high UV, moisture and temperature resistance
- All rigging hardware is made of stainless steel for long-term safety and high corrosion resistance
- Three-layer "rain shield" grille and U-Bracket are made of structural steel with a marine-capable powder coating that permits use for inland outdoor applications more than 16 km / 10 miles from oceans or salt air
- The system is rated IEC 60529 Standard / IP 55 (dust protection is provided that prevents interference with normal operation; penetration against water jets from any direction).
- Permanently-attached input cable with watertight seal
- Advanced transducer's silicon-impregnated cone and surround are designed and built to handle moisture and temperature and humidity extremes while delivering premium audio performance



Notice: The enclosure must be installed by orienting the logo towards the bottom of it with a down-tilt of at least 5 degrees



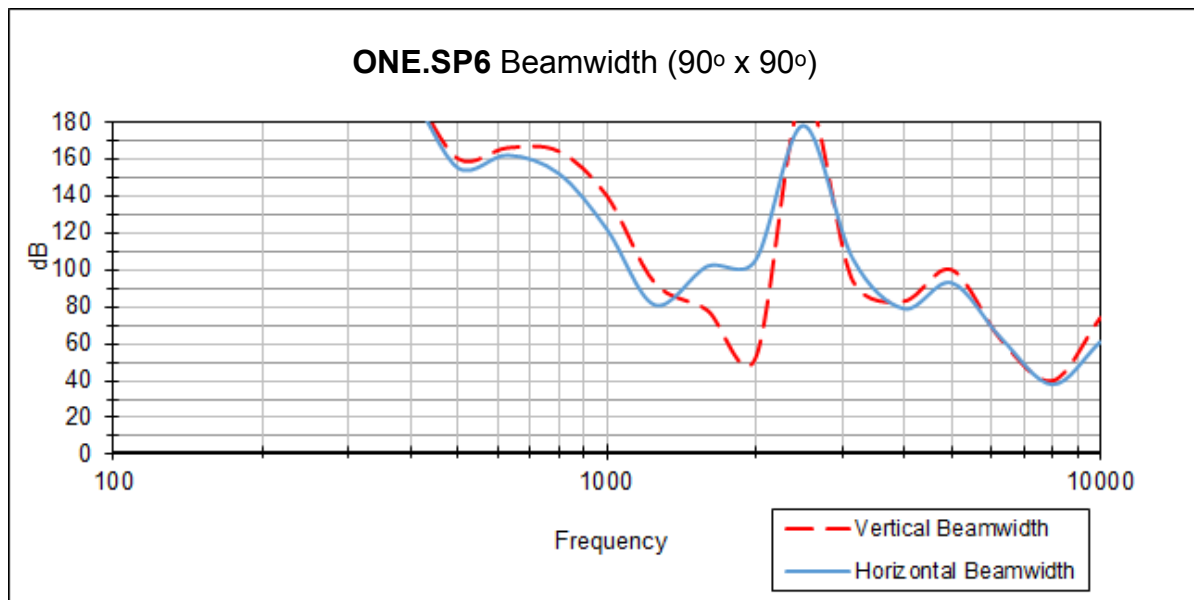
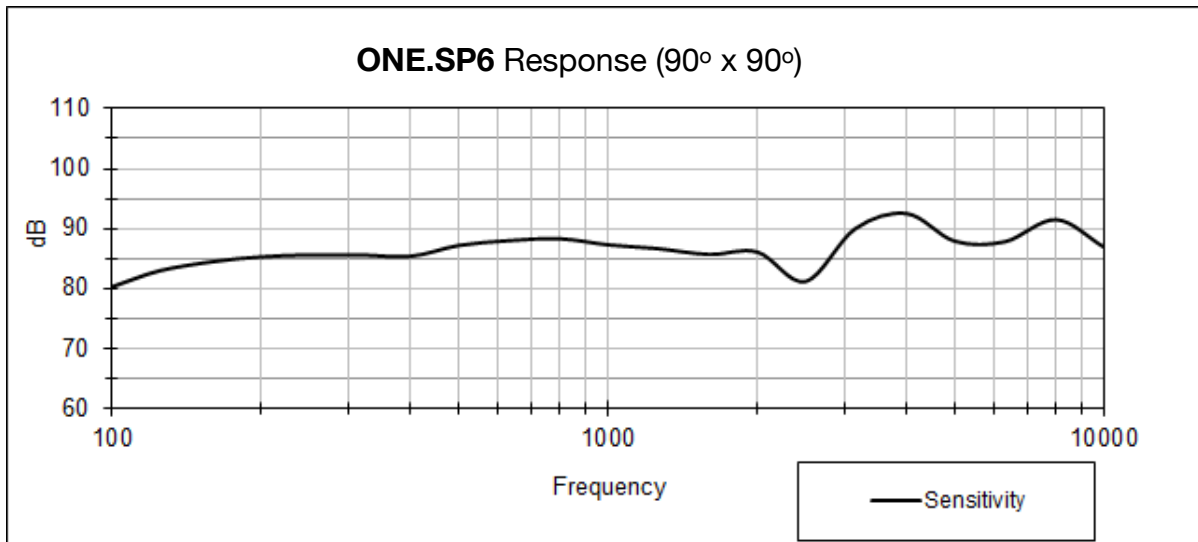
One Systems, Inc.

www.onesystems.com

tel: +1-615-823-1655

fax: +1-615-261-1429

PERFORMANCE DATA:



NOTE: These measurements were created using EASE software, which limits the bandwidth to 100 - 10,000 Hz that is critical for full-range loudspeakers. No processing was used



ONE SYSTEMS[®]
ACOUSTIC EXCELLENCE[®]

One Systems, Inc.

www.onesystems.com

tel: +1-615-823-1655

fax: +1-615-261-1429