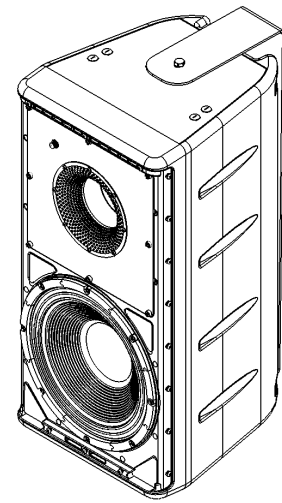




ONE SYSTEMS[®]
ACOUSTIC EXCELLENCE[®]



112/HSB[™]

OVERVIEW:

The One Systems 112.HSB[™] is a premium-class 12-inch subwoofer solution that's suitable for indoor and outdoor professional audio applications. The 112.HSB provides additional low-frequency output when used with all variants of One Systems 104, 106, 108, 208, 112 and 212 full-range speakers.

The 112.HSB's 12-inch transducer is equipped with a 4-inch voice coil. Its patented 12I/O woofer utilizes a voice coil that's wound on the inside of the coil's support structure (U.S. Patent #8,543,856 B2). This design provides high magnetic system displacement and increased thermal transfer that reduces power compression and ensures higher reliability.

The 112.HSB utilizes a thick-walled injection molded enclosure designed to handle direct weather applications. The 112.HSB's input section features a weather cover equipped with an IP 68 rated gland nut and a 4-position barrier strip with stainless steel hardware.

PERFORMANCE:

For optimum performance, the 112.HSB requires bi-amplification and the use of a DSP-based loudspeaker processor. When being used with small and medium-format One Systems full-range speakers, the 112.HSB can be run as a "classic" subwoofer to extend the system's overall response. When combining the 112.HSB with the 112 and 212 full-range models, the system should be run in an "overlap" mode to ensure that the full-range speakers and subwoofer to successively combine their outputs to produce additional LF impact with the higher output capability of the larger systems. For more details, please visit our website and see "Optimizing System Performance with the 112.HSB" in the technical information and downloads pulldown on the One Systems' website at www.onesystems.com.

FEATURES & BENEFITS

- 12-inch subwoofer provides additional low-frequency energy for systems using One Systems full-range speakers
- 800 watts continuous, 3,200 watts peak power handling
- 12I/O 12-inch woofer handles moisture and temperature extremes while delivering premium audio performance
- Patented I/O woofer design enables heat dissipation at all voice coil positions, minimizes voice coil "rubs" for improved reliability and lower power compression
- 316-grade marine stainless steel rigging and internal reinforcements provide long-term safety and corrosion resistance
- Can be used anywhere outdoors or for general-purpose indoor applications
- Thick-walled enclosure has high temperature, moisture and UV resistance
- Multiple M10 suspension points provide installation flexibility
- Optional pole mount, pan/tilt, U-Brackets and eyebolt rigging made with 316 grade marine stainless steel provide placement flexibility

One Systems, Inc.

www.onesystems.com

tel: +1-615-823-1655

fax: +1-615-261-1429

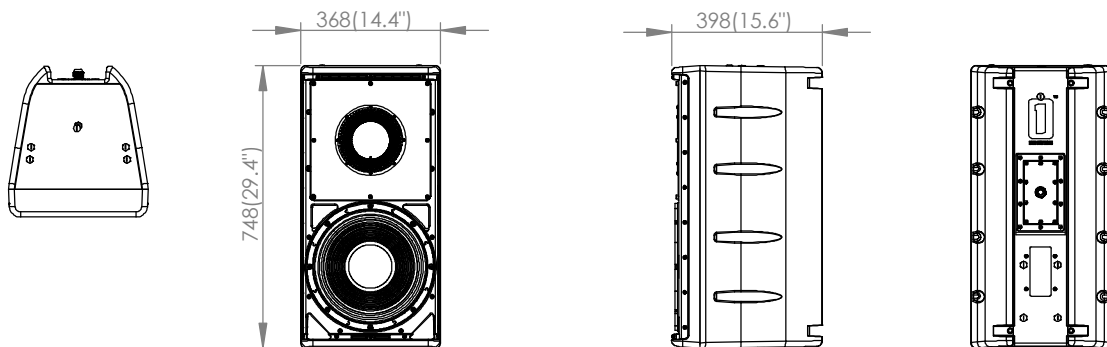
112.HSB SPECIFICATIONS

Frequency Response: 50 - 150 Hz \pm 3 dB
Power Handling: 800 watts continuous
 1,600 watts program
 3,200 watts peak *
 * **NOTE:** All system power handling ratings are amplifier headroom dependent
Sensitivity (1 watt @1 meter): 96 dB
Calculated Output Capability: 125 dB continuous
 131 dB peak
Coverage Pattern: Essentially omnidirectional
Nominal Impedance: 4 ohms
Input Connections: 4-position barrier strip
Recommended High-Pass: Butterworth 24 dB @ 50 Hz

Dimensions (H x W x D), mm: 748 x 368 x 398 mm
Dimensions (H x W x D), in: 29.4 x 14.4 x 15.6 in
Net Weight: 25 kg / 55 lb
Direct Weather Performance: IEC 529 / IP 45
Finish: White (paintable)
EASE Data: www.onesystems.com
Optional Suspension Hardware:
112.HTH.UM - U-Bracket
PT76.M-White - Pan/tilt Bracket
PM4.M - Pole Mount Bracket
M10 Eye Bolt Kit.M - 4 x M10 eyebolts
Suspension / Mounting Points: 19 x M10

DIRECT-WEATHER FEATURES

- Thick-walled, injection-molded enclosures are made of a copolymer resin that provides very high UV, moisture and temperature resistance
- All suspension hardware and enclosure reinforcements are made of 316-grade marine stainless steel for long-term safety and high corrosion resistance
- Three-layer "rain shield" grilles are made of stainless steel with a marine-capable powder coating that permits use anywhere outdoors, including on ships
- The system is rated IEC 529 Standard IP 45 (solid object penetration to 1 mm (0.04 inches) and water jets from any direction).
- Input weather cover with IP 68-rated gland nut prevents moisture intrusion
- Advanced transducer's silicon-impregnated cone and surround are designed and built to handle moisture and temperature extremes while preventing dry rotting



ONE SYSTEMS[®]
 ACOUSTIC EXCELLENCE[®]

One Systems, Inc.

www.onesystems.com

tel: +1-615-823-1655

fax: +1-615-261-1429