



ONE SYSTEMS[®]
ACOUSTIC EXCELLENCE[®]

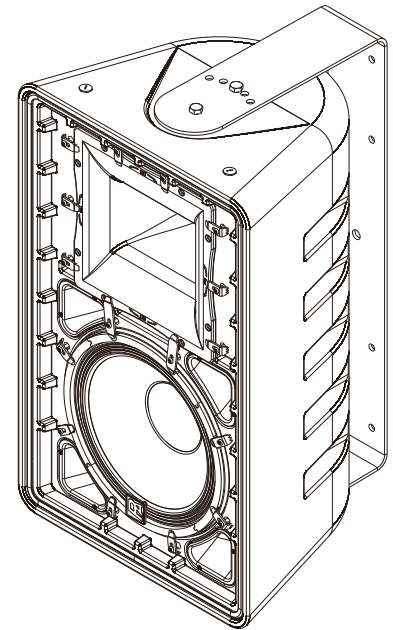
ONE.SL12

OVERVIEW:

The One Systems ONE.SL12 is a weather protected, direct-radiating 12-inch two-way loudspeaker solution for professional audio applications indoors or for inland uses outdoors. The system's direct-radiating transducers include a 12-inch woofer with a 3-inch voice coil and a compression driver with a 2.5-inch pure titanium diaphragm coupled to a large rotatable 60° x 40° horn. Its one-piece rotomolded enclosure is made of UV resistant High-Density Polyethylene (HDPE) with internal steel reinforcements for added strength. The enclosure is ported to enhance low frequency performance. The input section features an input weather cover with an IP 68-rated gland nut and its barrier strip has stainless steel hardware. The enclosure has 10 x M10 integrated stainless steel rigging points, which can be used in conjunction with the included U-Bracket for mounting to walls or ceilings. An optional pole mount bracket is also available for additional installation flexibility.

PERFORMANCE:

The ONE.SL12 provides high vocal intelligibility with wide response capability from its reasonably-sized enclosure. Its large-sized compression driver with pure titanium diaphragm delivers extended response with accurate transients. The long-throw horn is rotatable to facilitate horizontal or vertical placement for added flexibility. The woofer's specially treated cone and surround provide moisture resistance, protection against dry rotting as well as excellent acoustic damping. The ONE.SL12's vented enclosure and premium transducers provide 124 dB continuous, 130 dB peak output capability with wide frequency response and excellent transients for precise vocals and accurate music reproduction.



FEATURES AND BENEFITS

- High-performance 12-inch two-way speaker that provides high intelligibility, musical fidelity and full-range response
- 400 watts continuous, 1,600 watts peak power handling
- Rotatable 60° x 40° long-throw horn
- Includes a robust structural steel U-Bracket with dual-layer, zinc-rich powder coating
- 3-stage "Rain Shield" grille
- 10 x M10 Stainless steel rigging points provide safety and high corrosion resistance
- IP 55 direct weather rating permits use for inland outdoor applications
- Input weather cover with IP 68-rated gland nut
- Optional SL.PMT pole mount bracket available

ONE.SL12 SPECIFICATIONS

Frequency Response: 55 - 18,000 Hz \pm 3 dB
Frequency Range: 45 - 20,000 Hz -10 dB
Power Handling: 400 watts continuous
 800 watts program
 1,600 watts peak *

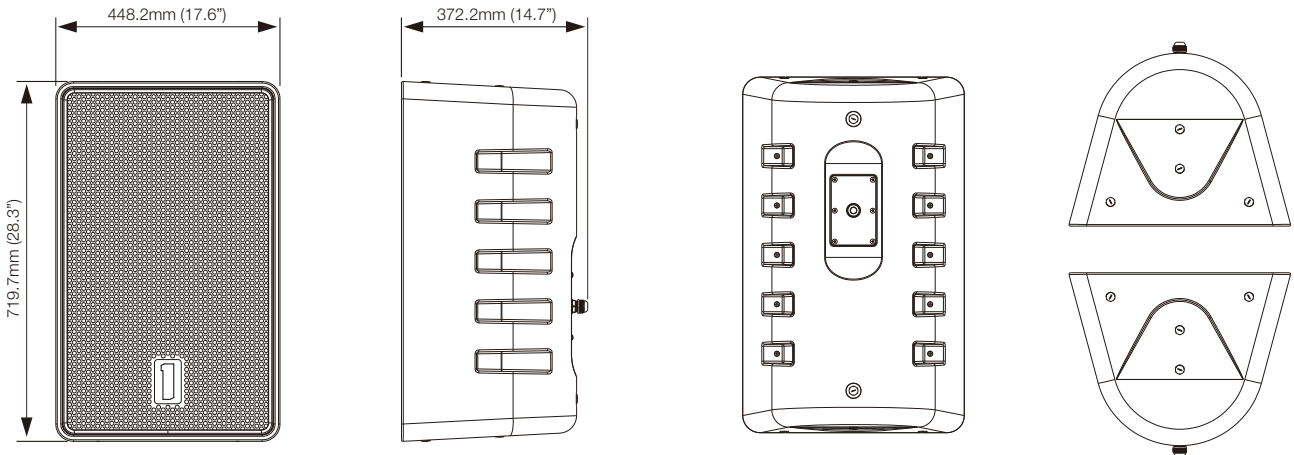
* **NOTE:** All system power handling ratings are amplifier headroom dependent

Sensitivity (1 watt @1 meter): 98 dB
Calculated Output Capability: 124 dB continuous
 130 dB peak
Coverage (H x V): 60° x 40° Rotatable
Nominal Impedance: 8 ohms

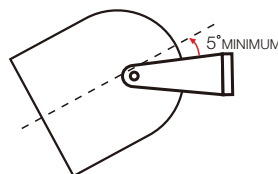
Input Connection: Barrier strip
LF Transducer: 12 in / 305 mm with 3 in voice coil
HF Transducer: 2.5 in / 63 mm with titanium diaphragm
Dimensions (H x W x D), mm: 719.7 x 448.2 x 372.2 mm
Dimensions (H x W x D), in: 28.3 x 17.6 x 14.7 in
Net Weight: 26 kg / 57.3 lb
Direct Weather Performance: IEC 60529 / IP 55
Finish: Gray
Recommended High-Pass: 55 Hz, 24 dB Butterworth
Optional Accessories:
Pole Mount Bracket: One Systems SL.PMT
EASE Data: www.onesystems.com/ease-data

DIRECT-WEATHER FEATURES

- * Rotomolded enclosure is made of High-Density Polyethylene (HDPE) resin with steel reinforcements that provides very high UV, moisture and temperature resistance
- * All rigging hardware is made of stainless steel for long-term safety and high corrosion resistance
- * Three-layer "rain shield" grilles are made of structural steel with a marine-capable powder coating that permits use for inland outdoor applications more than 16 km / 10 miles from oceans or salt air
- * The system is rated IEC 60529 Standard / IP 55 (protected against water spray from any direction; protected from limited dust ingress)
- * Input weather cover with an IP 68-rated gland nut prevents moisture intrusion
- * Advanced woofer features a specially-treated cone and surround that are specially treated to handle moisture, temperature and humidity extremes while delivering premium audio performance



The ONE.SL12 must be installed with a minimum 5-degree down-tilt. If mounted vertically, the logo should be positioned at the bottom of the speaker



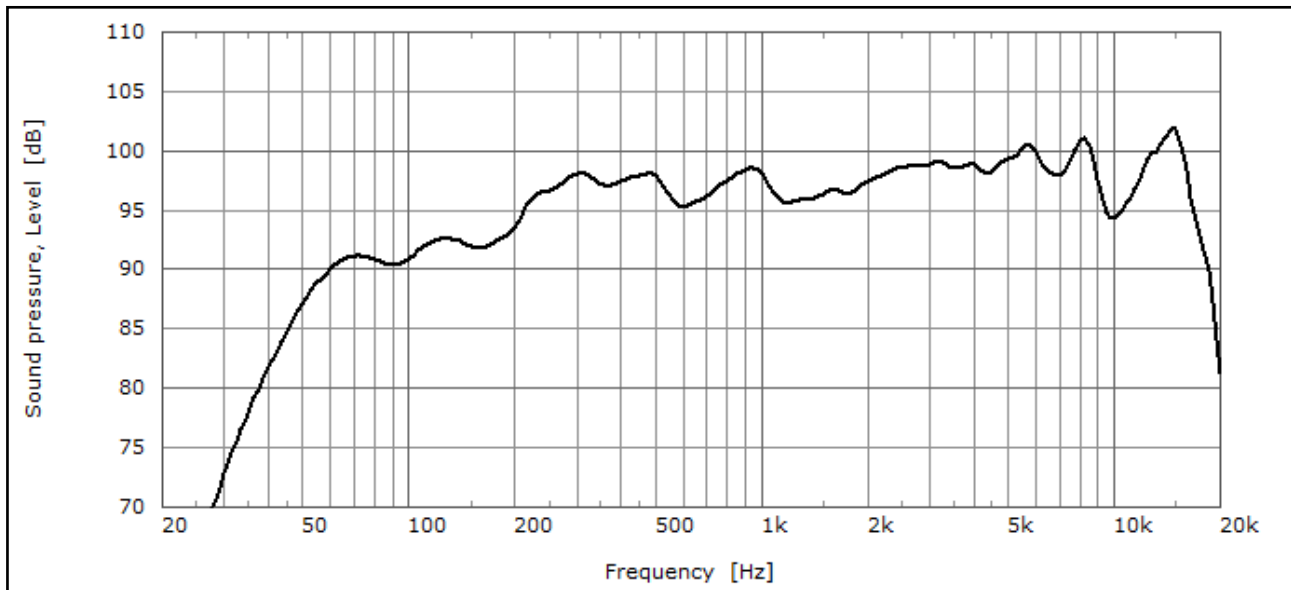
One Systems, Inc.

www.onesystems.com

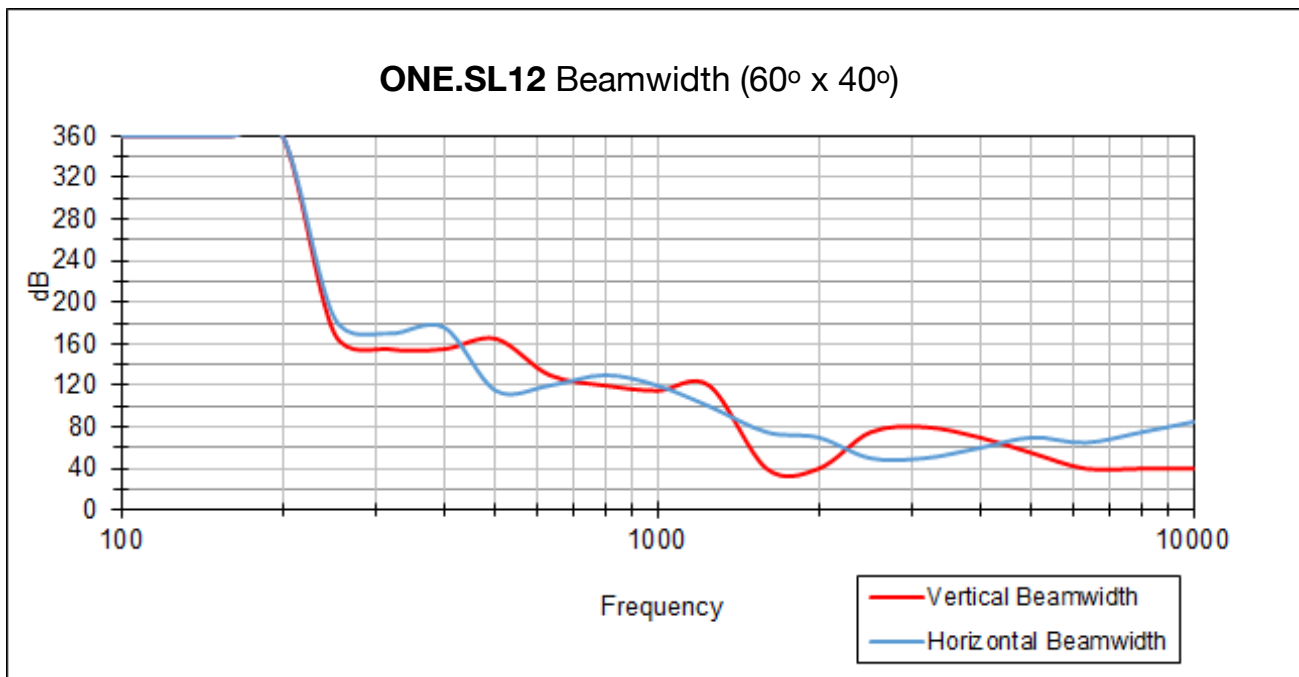
tel: +1-615-823-1655

fax: +1-615-261-1429

ONE.SL12 Response (60° x 40°)



ONE.SL12 Beamwidth (60° x 40°)



ONE SYSTEMS[®]
ACOUSTIC EXCELLENCE[®]

One Systems, Inc.

www.onesystems.com

tel: +1-615-823-1655

fax: +1-615-261-1429