

E408-250

Precision, Plate Mounted 250W Attenuator



Features

- 1.5dB Steps for Sound Masking and Other Precision Applications
- 250 Watt Power Handling
- Rack or Plate Mounting

Applications

- Precise Level Control of Large Sound Masking Zones
- Precise Level Control of Large Paging or BGM Zones

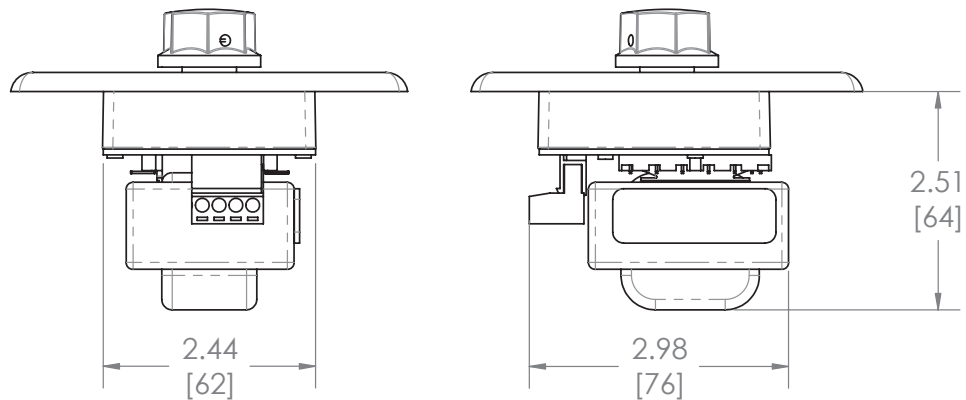
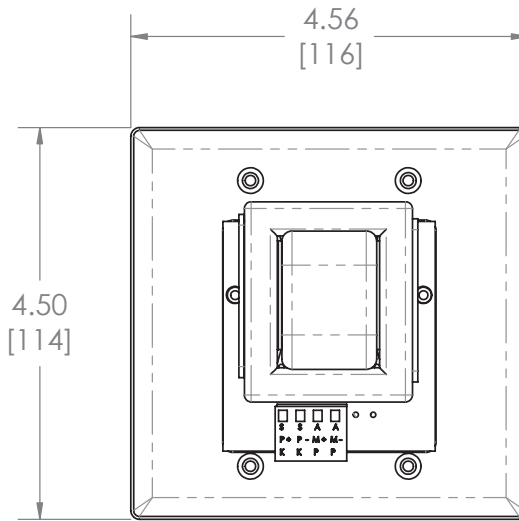
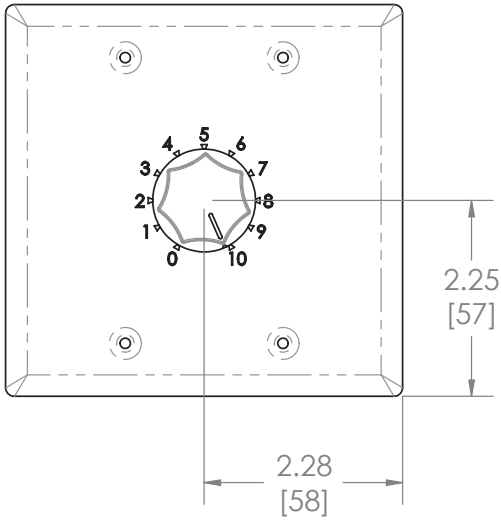
General Description

The E408-250 is specially designed for attenuation in masking and sound reinforcement systems where fine tuning of level control is required. It employs a ten-position, non-shorting rotary switch without stop. The attenuation rate is 1.5dB per step. (All other specifications are the same as the AT Series including the UL listing.)

System	
Type	Plate Mounted Attenuator
Total Attenuation	15dB
Power Rating	250 Watts
Mechanical	
Plate Size	2-gang
Plate Type	Stainless Steel
Dimensions and Weight	
Product Dimensions (HxWxD)	W 4.56" x H 4.5" x D 2.51" (116mm x 114mm x 64mm)
Shipping Dimensions (HxWxD)	W 7.875" x H 7.5" x D 3.625" (200mm x 191mm x 92mm)
Net Weight - lbs	1.5lb (0.68kg)
Shipping Weight - lbs	1.79lb (0.81kg)
Agency Approvals	
North America Agency	UL813, UL2043

©2019 Atlas Sound LP. The Atlas "Circle A", Soundolier, and Atlas Sound are trademarks of Atlas Sound L.P. IED is a Registered Trademark of Innovative Electronic Designs LLC. All rights reserved. All other Trademarks are property of their respective owners. No endorsement is implied. Due to continual product development, specifications are subject to change without notice. ATSO05923 RevA 1/19

Dimensional Drawings



Architect and Engineer Specifications

Plate mounted wall attenuator shall be AtlasIED model E408-250. Attenuator shall be capable of handling up to 250W of RMS power. Attenuator shall have a ten position, non shorting rotary switch design without stops. Total attenuation shall be 15dB with each position adjustment being 1.5dB. Unit shall be both UL813 and UL2043 rated. Attenuator shall be able to be rack mounted or wall mounted with included stainless steel, double gang wall plate. Dimensions shall be W 4.56" x H 4.5" x D 2.51" (116mm x 114mm x 64mm).