

BRACKETS FOR SUPER
DOUBLE WIDE POCKET

BRK104



MATES WITH
HORIZONTAL
STYLE POCKET

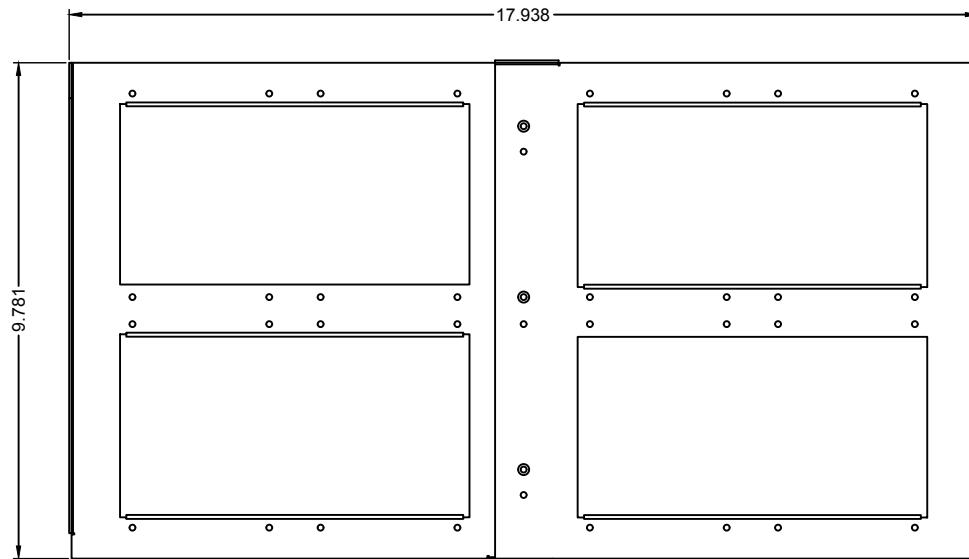
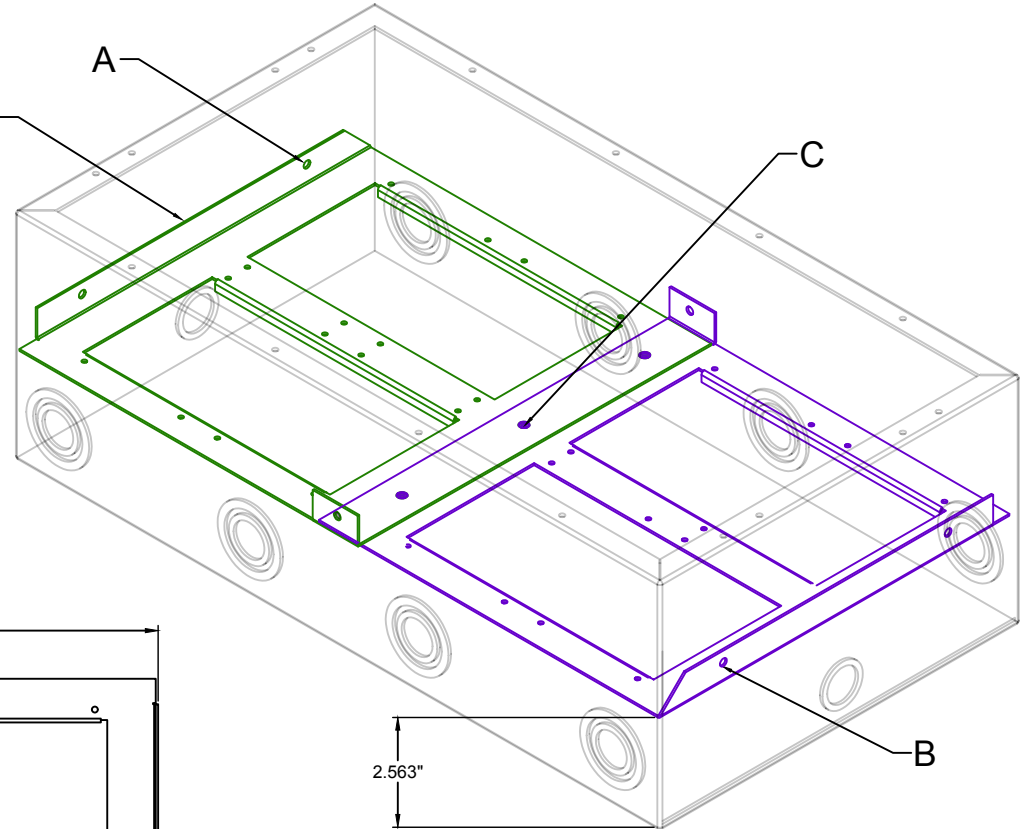


PROUDLY MADE
IN THE U.S.A.



ACE BACKSTAGE CO
Stage Pocket Systems **Connectivity**
www.acebackstage.com

BRACKETS SHOWN INSTALLED
IN 6.00" DEEP 104BBX



INSTALLATION INSTRUCTIONS

A	INSTALL BRACKET A USING PROVIDED (3) 8-32 3/16 SCREWS IN 3 PRE-DRILLED HOLES.
B	INSTALL BRACKET B USING PROVIDED (3) 8-32 3/16 SCREWS IN 3 PRE-DRILLED HOLES. BRACKET B WILL SIT ON TOP OF BRACKET A
C	ATTACH BRACKETS A AND B TOGETHER USING PROVIDED (3) #8 TRUSS HEAD SELF TAPPING SCREWS IN PRE-DRILLED HOLES.

REVISION: 11/2019

MATERIAL :

- 16ga Galvannealed Steel

COMPATIBLE ROUGH IN BOXES:

104BBX / 104BBXW

DESCRIPTION:

Horizontal Panel Bracket Kit for Double Wide Back Box. Bracket installation to support Super Double Wide Pocket Body construction phase sub-assembly.

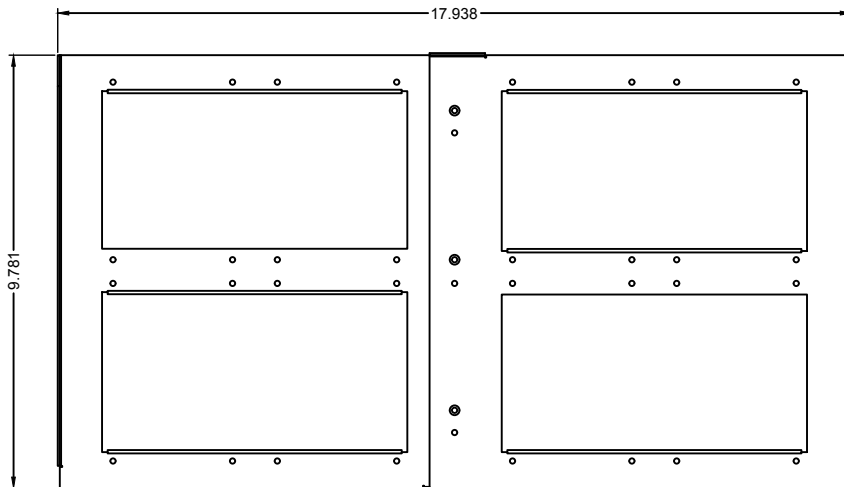
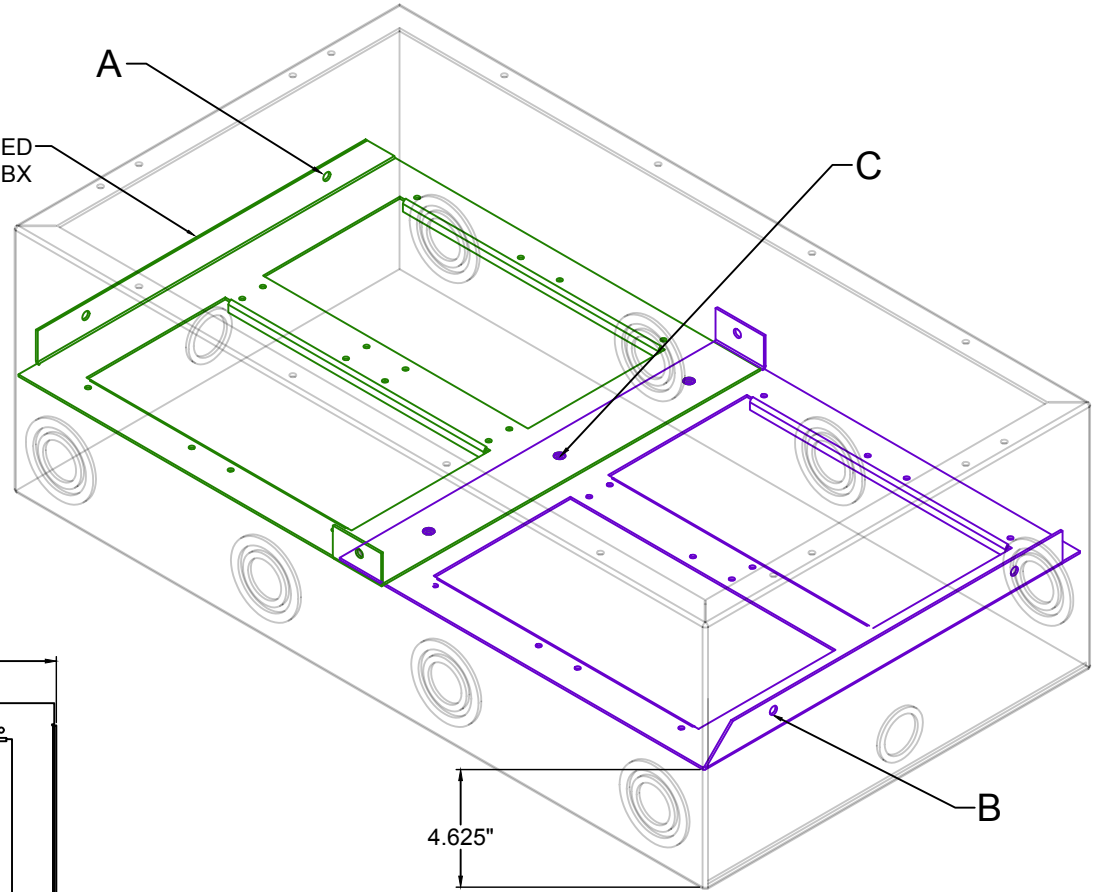
REV
1
SHEET
1 OF 1

BRACKETS FOR SUPER
DOUBLE WIDE POCKET

BRK104



BRACKETS SHOWN INSTALLED
IN 8.00" DEEP 1048BBX



INSTALLATION INSTRUCTIONS	
A	INSTALL BRACKET A USING PROVIDED (3) 8-32 3/16 SCREWS IN 3 PRE-DRILLED HOLES.
B	INSTALL BRACKET B USING PROVIDED (3) 8-32 3/16 SCREWS IN 3 PRE-DRILLED HOLES. BRACKET B WILL SIT ON TOP OF BRACKET A.
C	ATTACH BRACKETS A AND B TOGETHER USING PROVIDED (3) #8 TRUSS HEAD SELF TAPPING SCREWS IN PRE-DRILLED HOLES.

REVISION: 11/2019	MATERIAL : - 16ga Galvannealed Steel	COMPATIBLE ROUGH IN BOXES: 1048BBX / 1048BBXW	DESCRIPTION: Horizontal Panel Bracket Kit for Double Wide Back Box. Bracket installation to support Super Double Wide Pocket Body construction phase sub-assembly.	REV 1 SHEET 1 OF 1
-------------------	---	--	---	-----------------------------

BRACKETS FOR SUPER
DOUBLE WIDE POCKET

BRK104

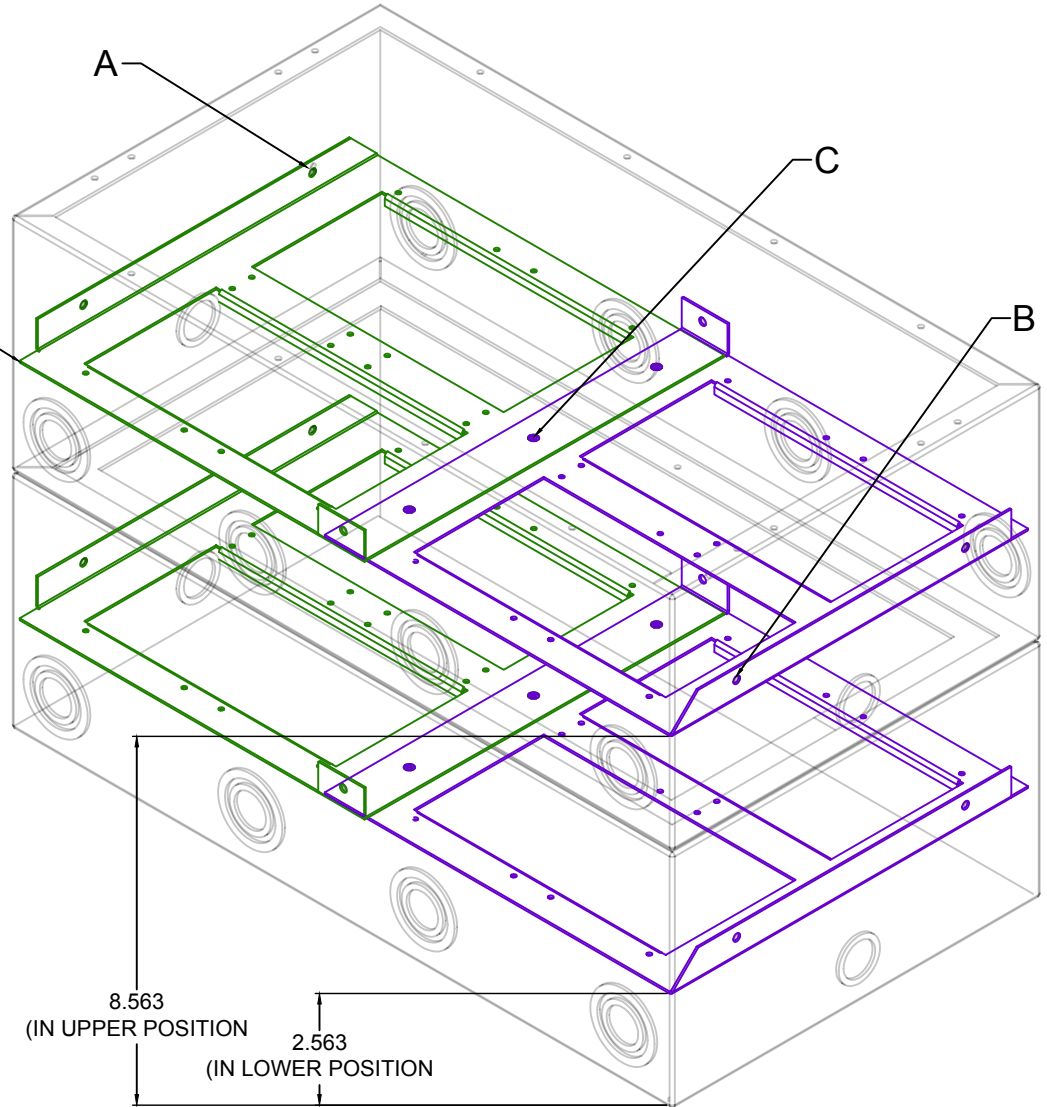
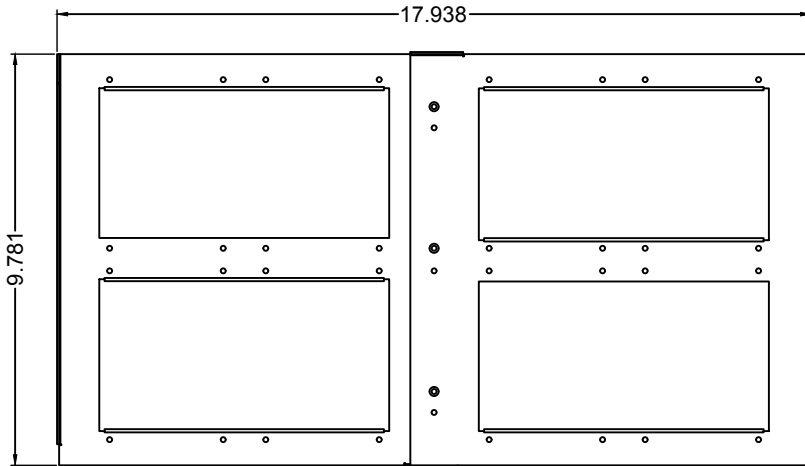


PROUDLY MADE
IN THE U.S.A.



BRACKETS SHOWN INSTALLED
IN 12.00" DEEP 104BBX.
BRACKETS CAN BE INSTALLED IN
UPPER OR LOWER LOCATIONS.

INSTALLATION INSTRUCTIONS	
A	INSTALL BRACKET A USING PROVIDED (3) 8-32 3/16 SCREWS IN 3 PRE-DRILLED HOLES.
B	INSTALL BRACKET B USING PROVIDED (3) 8-32 3/16 SCREWS IN 3 PRE-DRILLED HOLES. BRACKET B WILL SIT ON TOP OF BRACKET A
C	ATTACH BRACKETS A AND B TOGETHER USING PROVIDED (3) #8 TRUSS HEAD SELF TAPPING SCREWS IN PRE-DRILLED HOLES.



REVISION: 11/2019

MATERIAL :

COMPATIBLE ROUGH IN BOXES:

DESCRIPTION:

REV

ALL DIMENSIONS ARE FOR REFERENCE ONLY. ALL DIMENSIONS ARE IN INCHES

- 16ga Galvannealed Steel

104DDBBX / 104DDBBXW

Horizontal Panel Bracket Kit for Double Wide Back Box. Bracket installation to support Super Double Wide Pocket Body construction phase sub-assembly.

1

SHEET

1 OF 1