



APPLICATIONS

- Optimized high-output sub-bass companion subwoofer
- Performing Arts Centers
- Commercial Theatre
- Houses of Worship
- AV Rental House
- Nightclubs

BL118SSi-B

Designed as a high-output sub-bass companion subwoofer, the BL118SS offers extended low frequency and high-level output in a tour grade enclosure.

FEATURES



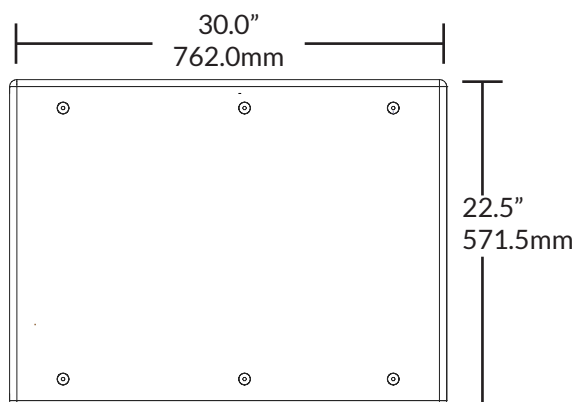
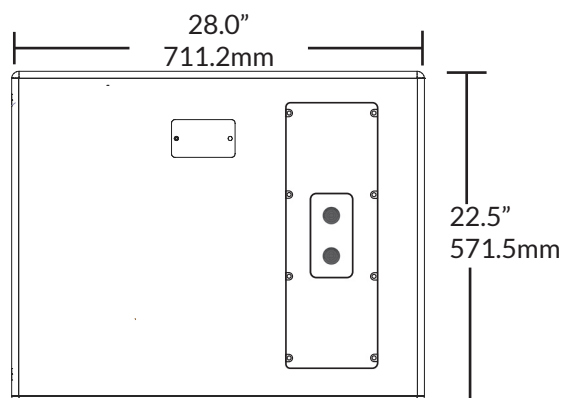
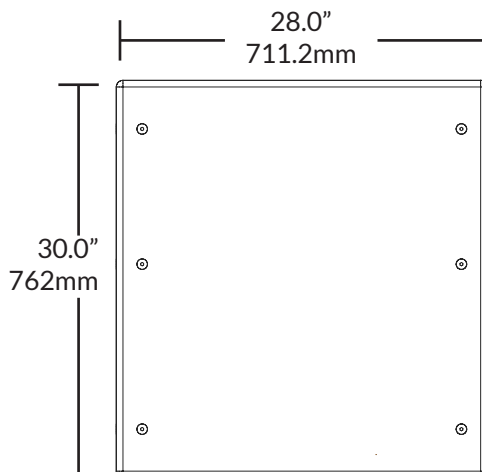
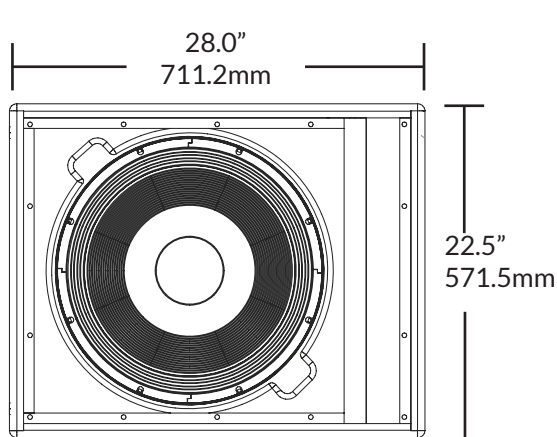
The Blaze BL118SS is designed for low-frequency sections in multi-way speaker systems, or as a sub bass section in any sound system requiring extended low frequency response and

the highest quality audio reproduction. Featuring close integration with Blaze power amplifiers and the ability to handle high power levels, the BL118SS is designed to satisfy the need for an extreme high SPL sub bass loudspeaker system.

The Blaze BL118SS utilizes a direct radiating 18-inch, 2,500W cone driver in a tuned enclosure—providing maximum output with minimal distortion and smooth extended low frequency response. The tour-tested, 21-ply Baltic Birch highly braced enclosure and 24 mm thick baffle board construction provide unsurpassed rigidity and strength and are mated with a powder coated steel grille with a high transmission ratio. The enclosure is configurable for use in cardioid or end-fire arrays.

- 2500W of stunning low-end response
- Symmetrical dispersion pattern.
- The Blaze BL118SS is designed to satisfy the need for an extreme high SPL sub bass loudspeaker system. Components have been selected solely for their performance.
- The Blaze BL118SS utilizes a direct radiating 18-inch, 2000W cone driver in a tuned enclosure, which provides maximum output with minimal distortion and smooth extended low frequency response.
- The tour-tested 21 ply Baltic Birch highly braced enclosure and 24 mm thick baffle board construction provide unsurpassed rigidity and strength.
- Configurable as in cardioid, or end-fire arrays.
- Full integration with Blaze Power Zone Connect 3004 amplifiers.

TECHNICAL SPECIFICATIONS



SYSTEM PERFORMANCE

Frequency Response (-3dB)	26 Hz - 150 Hz
Frequency Range (-10 dB)	18 Hz - 150 Hz
Recommended High-Pass Filter	20 Hz - with minimum 24 dB / octave (4th order) Butterworth slope
Nominal Directivity (-6 dB)	Omni or cardioid
Recommended Crossover Frequency	90 Hz (acoustic, active, external DSP)
RMS Handling Capacity**	LF: 2500W
Maximum SPL @ 1 Meter***	136 db (Blaze Audio preset)
Transducer Components	LF: 18" (457.2 mm) x 1
Transducer Nominal Impedance	LF = 4 ohms

PHYSICAL CHARACTERISTICS

Enclosure	Baltic birch plywood, engineered plastics, and aluminum frame
Finish	Two-part spray catalyzed Polyurea coating on plywood
Grille	14-gauge (1 mm) perforated stainless steel, powder-coated finish, black
Environmental	Indoor use only
Connectors/Bi-Amp	Two (2) parallel-wired NL4 Neutrik® Speakon® connectors
Suspension/Mounting	Internal bracket w/ threaded 0.375" flying points (x17)
Dimensions (HxWxD)	22.5" H x 28" W x 30" D 571.5 mm x 711.2 mm x 762 mm
Net Weight	135 lb. (61.23 kg)
Shipping Weight	150 lb. (68.03 kg) - approximate with carton
Product Version	BL118SSi-B

*Frequency response and range measured on-axis with anechoic environment. ** Power handling tested using pink noise filtered to meet IEC 268-5, 6 dB crest factor, 100 hours, with recommended EQ. *** Peak level measured at 1m under free field conditions using 10 dB crest factor pink noise with specified ([Blaze Audio] preset) and corresponding EQ settings.