



# DM17

**TOM & SNARE**

DRUM MICROPHONE

Follow us on social media @EarthworksAudio  
For more information, please visit  
[earthworksaudio.com](http://earthworksaudio.com) or call 1-603-654-2433.

EARTHWORKS AUDIO



# Thank you for purchasing the Earthworks DM17 Drum Microphone

---

Found with the biggest names in music and on the biggest stages in the world — Earthworks drum mics are truly game-changing.

From all of us at Earthworks Audio, thank you for making us a part of your creative journey.

## **YOUR PURCHASE INCLUDES**

- 1 DM17
- 1 RM3 Rim Mount
- 1 Microphone Bag

## **GETTING STARTED**

The DM17 is ready to go on your tom or snare in seconds.

To set up your DM17, place the microphone's RM3 Rim Mount onto the hoop of your drum. The RM3's jaw should be resting on the hoop of your drum. Then, turn the bottom knob on the RM3 until the mount tightens in place.

(The top knob under the DM17 can be loosened to allow for finer adjustment of the microphone's position. Feel free to adjust the DM17 if you wish, though the sound you get as soon as you put it on your drum will already be outstanding!)

Once the DM17 is on your drum, plug in an XLR cable and connect the other end to your audio interface.

Finally, turn on phantom power on your audio interface. That's it!

---



## **PROPER MAINTENANCE**

To guarantee your microphone provides years of performance, follow these guidelines:

- Never attempt to disassemble the body of the microphone.
- Avoid extreme heat and condensing humidity. Allow the microphone to warm up when bringing it in from the cold.
- Rough handling may damage the microphone even if no markings are visible.

## **TROUBLESHOOTING**

If you encounter issues while using your Earthworks Audio microphone, please make sure that:

- Your microphone is connected to an active power supply.
- Phantom power is being supplied to the microphone.
- Your microphone and XLR cable are well connected.
- The microphone is positioned at an appropriate distance from the sound source.
- External noise in your recording environment is kept to a minimum.
- Your recording space is at room temperature and free of dust.

If your issue persists after checking, please contact us via our website.



## SPECIFICATIONS

### Frequency Response

20Hz - 20kHz

### Polar Pattern

Cardioid

### Sensitivity

-50 dBV/Pa (3.2 mV/Pa)

### Power Requirements

48V, 6mA

### Max Acoustic Input

155 dB SPL

### Output

XLR

### Minimum Load

### Impedance

1kOhm

### Self-Noise

28 dB SPL (A-Weighted)

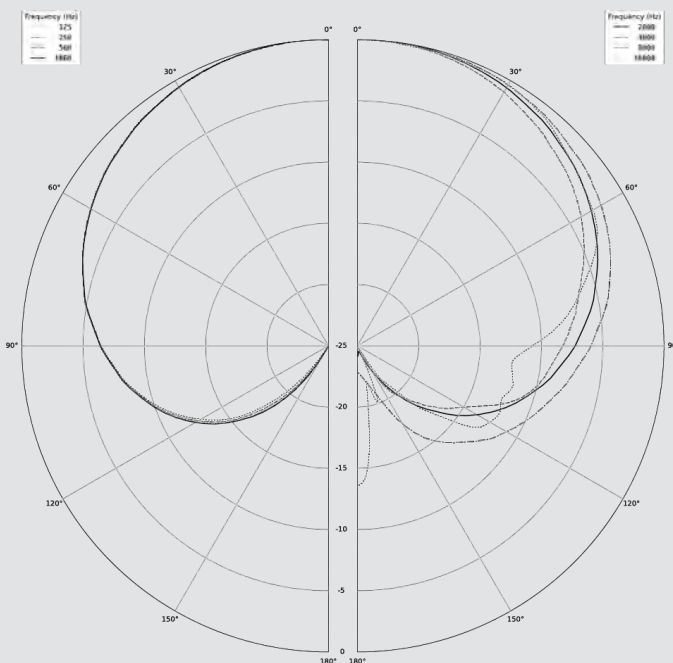
### Dimensions

4.13 in x 1.3 in

### Weight

With Clip: 1.05lbs / 0.48kg

W/O Clip: 0.80lbs / 0.36kg





## **COMPLIANCE REQUIREMENTS**

Hereby, Earthworks Inc. declares that this product has been determined to be in compliance with UKCA requirements.

The full text of the UK declaration of conformity is available at the following site:

<https://earthworksaudio.com/support/documents/uk>

Hereby, Earthworks Inc. declares that this product has been determined to be in compliance with European Union requirements.

The full text of the EU declaration of conformity is available at the following site:

<https://earthworksaudio.com/support/documents/eu>

## **WARRANTY**

All Earthworks® products carry a limited warranty (parts and labor). Please register your warranty at: [earthworksaudio.com/register](https://earthworksaudio.com/register). If you have any problems with your Earthworks products, please contact our warranty/repair department by email at: [service@earthworksaudio.com](mailto:service@earthworksaudio.com).

## **NOTE**

This warranty only applies to Earthworks microphones purchased brand new. For microphones purchased/received second-hand, please contact us via our website.