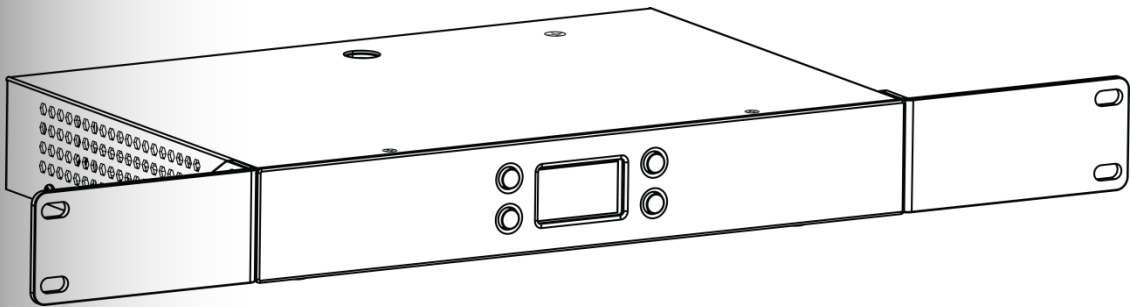


# ÉPIX

## DRIVE 900

### User Manual

Referencing Firmware V1.4.2



**Edition Notes** The ÉPIX Drive 900 User Manual Rev. 6 covers the description, safety precautions, installation, programming, operation, and maintenance of the ÉPIX Drive 900. Chauvet released this edition of the ÉPIX Drive 900 User Manual in 2020.

**Trademarks** CHAUVET, the Chauvet logo and ÉPIX Drive 900 are registered trademarks or trademarks of Chauvet & Sons Inc. (d/b/a Chauvet and Chauvet Lighting) in the United States and other countries. Other company and product names and logos referred to herein may be trademarks of their respective companies.

**Copyright Notice** The works of authorship contained in this manual, including, but not limited to, all design, text and images are owned by Chauvet.

© **Copyright 2020 Chauvet & Sons, Inc. All rights reserved.**

Electronically published by Chauvet in the United States of America.

**Manual Use** Chauvet authorizes its customers to download and print this manual for professional information purposes only. Chauvet expressly prohibits the usage, copy, storage, distribution, modification, or printing of this manual or its content for any other purpose without written consent from Chauvet.

**Document Printing** For better results, print this document in color, on letter size paper (8.5 x 11 in), double-sided. If using A4 paper (210 x 297 mm), configure your printer to scale the content accordingly.

**Intended Audience** Any person in charge of installing, operating, and/or maintaining this product should completely read through the guide that shipped with the product, as well as this manual, before installing, operating, or maintaining this product.

**Disclaimer** Chauvet believes that the information contained in this manual is accurate in all respects. However, Chauvet assumes no responsibility and specifically disclaims any and all liability to any party for any loss, damage or disruption caused by any errors or omissions in this document, whether such errors or omissions result from negligence, accident or any other cause. Chauvet reserves the right to revise the content of this document without any obligation to notify any person or company of such revision, however, Chauvet has no obligation to make, and does not commit to make, any such revisions.

**Document Revision** The ÉPIX Drive 900 User Manual Rev. 6 supersedes all previous versions of this manual. Discard any older versions of this manual and replace with this version. Go to [www.chauvetprofessional.com](http://www.chauvetprofessional.com) for the latest version.

## Table of Contents

<b>1. Before You Begin</b> .....	<b>1</b>
What Is Included.....	1
Claims .....	1
Manual Conventions .....	1
Symbols.....	1
Safety Notes.....	2
Personal Safety.....	2
Mounting And Rigging.....	2
Power And Wiring .....	2
Operation.....	2
Expected LED Lifespan.....	2
<b>2. Introduction</b> .....	<b>3</b>
Description .....	3
Features .....	3
Overview .....	3
Dimensions.....	4
<b>3. Setup</b> .....	<b>5</b>
AC Power .....	5
AC Plug .....	5
Power Linking.....	5
Fuse Replacement.....	5
Mounting.....	6
Orientation.....	6
Rigging .....	6
Procedure.....	6
Signal Connections .....	7
Art-Net™ Connection.....	7
sACN Connection.....	7
Kling-Net Connection .....	7
Connecting ÉPIX Products.....	8
Connection Diagram .....	12
<b>4. Operation</b> .....	<b>13</b>
Control Panel Description.....	13
Menu Map .....	13
Settings Configuration .....	14
Home Screen .....	14
Auto Addressing.....	14
View Linked Fixtures .....	14
LED Output Test .....	14
Protocol .....	14
Display Orientation.....	14
Factory Reset.....	14
Ethernet Settings.....	15

Control Values.....	16
Pixel Mode.....	16
7-CH-Drive Mode .....	17
8-CH-fixture Mode.....	18
5-Section Mode .....	19
10-Section Mode .....	19
25-Section Mode .....	20
50-Section Mode .....	21
<b>5. Firmware Update.....</b>	<b>25</b>
Instructions .....	25
Force Upload Instructions .....	26
<b>6. Technical Information.....</b>	<b>27</b>
Product Maintenance .....	27
<b>7. Technical Specifications .....</b>	<b>28</b>
Ordering .....	29
<b>Returns .....</b>	<b>30</b>
<b>Contact Us.....</b>	<b>31</b>

# 1. BEFORE YOU BEGIN

## What Is Included

- ÉPIX Drive 900
- Neutrik® powerCON® power cord
- Rack ears (2) w/ screws
- Rubber feet (4)
- Warranty Card
- Quick Reference Guide

## Claims

Carefully unpack the product immediately and check the box to make sure all the parts are in the package and are in good condition.




If the box or the contents (the product and included accessories) appear damaged from shipping or show signs of mishandling, notify the carrier immediately, not Chauvet. Failure to report damage to the carrier immediately may invalidate your claim. In addition, keep the box and contents for inspection.

For other issues, such as missing components or parts, damage not related to shipping, or concealed damage, file a claim with Chauvet within 7 days of delivery.

## Manual Conventions

Convention	Meaning
<b>1–512</b>	A range of values in the text
<b>50/60</b>	A set of mutually exclusive values in the text
<b>&lt;SET&gt;</b>	A button on the product’s control panel
<b>Settings</b>	A product function or a menu option
<b>MENU&gt;Settings</b>	A sequence of menu options
<b>1–10</b>	A range of menu values from which to choose in a menu
<b>Yes/No</b>	A set of two mutually exclusive menu options in a menu
<b>ON</b>	A unique value to be entered or selected in a menu

## Symbols

Symbols	Meaning
	Critical installation, configuration, or operation information. Failure to comply with this information may cause the product not to work, damage third-party equipment, or cause harm to the operator.
	Important installation or configuration information. Failure to comply with this information may keep the product from working.
	Useful information.



The term “DMX” used throughout this manual refers to the USITT DMX512-A digital data transmission protocol.

### Safety Notes

Read all the following Safety Notes before working with this product. These notes include important information about the installation, usage, and maintenance of this product.



**This product contains no user-serviceable parts. Any reference to servicing in this User Manual will only apply to properly trained Chauvet certified technicians. Do not open the housing or attempt any repairs.**



**All applicable local codes and regulations apply to proper installation of this product.**

### Personal Safety

- Avoid direct eye exposure to the light source while the product is on.
- Always disconnect this product from its power source before servicing.
- Always connect this product to a grounded circuit to avoid the risk of electrocution.
- Do not touch this product's housing during operation because it may be very hot.

### Mounting And Rigging

- This product is for indoor use only! To prevent risk of fire or shock, do not expose this product to rain or moisture. (IP20)
- CAUTION: When transferring product from extreme temperature environments, (e.g. cold truck to warm humid ballroom) condensation may form on the internal electronics of the product. To avoid causing a failure, allow product to fully acclimate to the surrounding environment before connecting it to power.
- Mount this product in a location with adequate ventilation, at least 20 in (50 cm) from adjacent surfaces.
- Make sure there are no flammable materials close to this product while it is operating.
- When hanging this product, always secure to a fastening device using a safety cable.

### Power And Wiring

- Always make sure you are connecting this product to the proper voltage in accordance with the specifications in this manual or on the product's specification label.
- To eliminate unnecessary wear and improve its lifespan, during periods of non-use completely disconnect the product from power via breaker or by unplugging it.
- Never connect this product to a dimmer pack or rheostat.
- Never disconnect this product by pulling or tugging on the power cable.

### Operation

- Do not operate this product if you see damage on the housing, lenses, or cables. Have the damaged parts replaced by an authorized technician at once.
- Do not cover the ventilation slots when operating to avoid internal overheating.
- The maximum ambient temperature is 113 °F (45 °C). Do not operate this product at a higher temperature.
- In case of a serious operating problem, stop using this product immediately!



**In the unlikely event that your Chauvet product requires service, contact Chauvet Technical Support.**

### Expected LED Lifespan

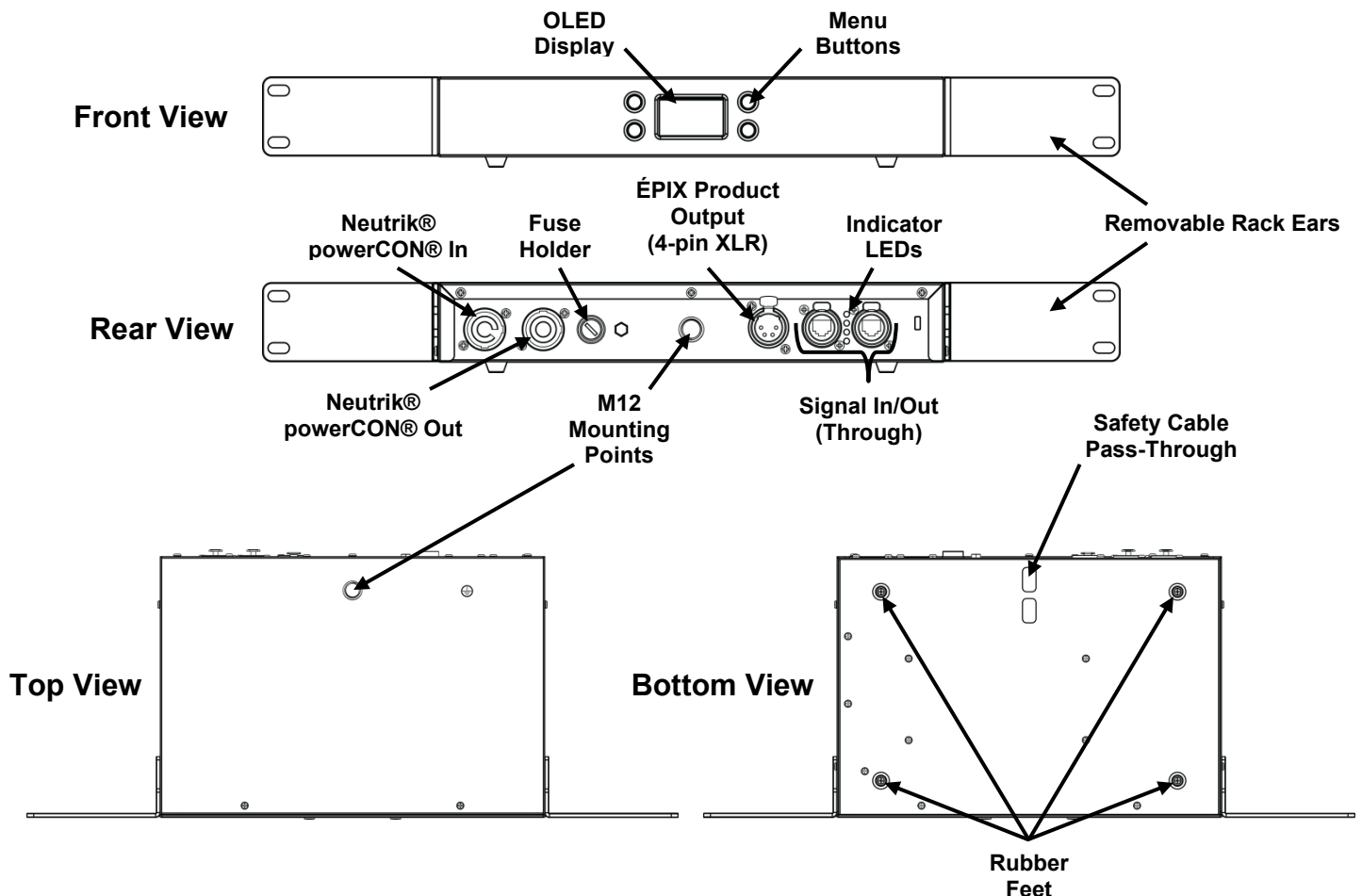
LEDs gradually decline in brightness over time, due to heat. Packaged in clusters, LEDs exhibit higher operating temperatures than in ideal, single-LED conditions. For this reason, using clustered LEDs at their fullest intensity significantly reduces the LEDs' lifespan. Under normal conditions, this lifespan can be 40,000 to 50,000 hours. If extending this lifespan is vital, lower the operating temperature by improving the ventilation around the product and reducing the ambient temperature to an optimal operating range. In addition, limiting the overall projection intensity may help to extend the LEDs' lifespan.

## 2. INTRODUCTION

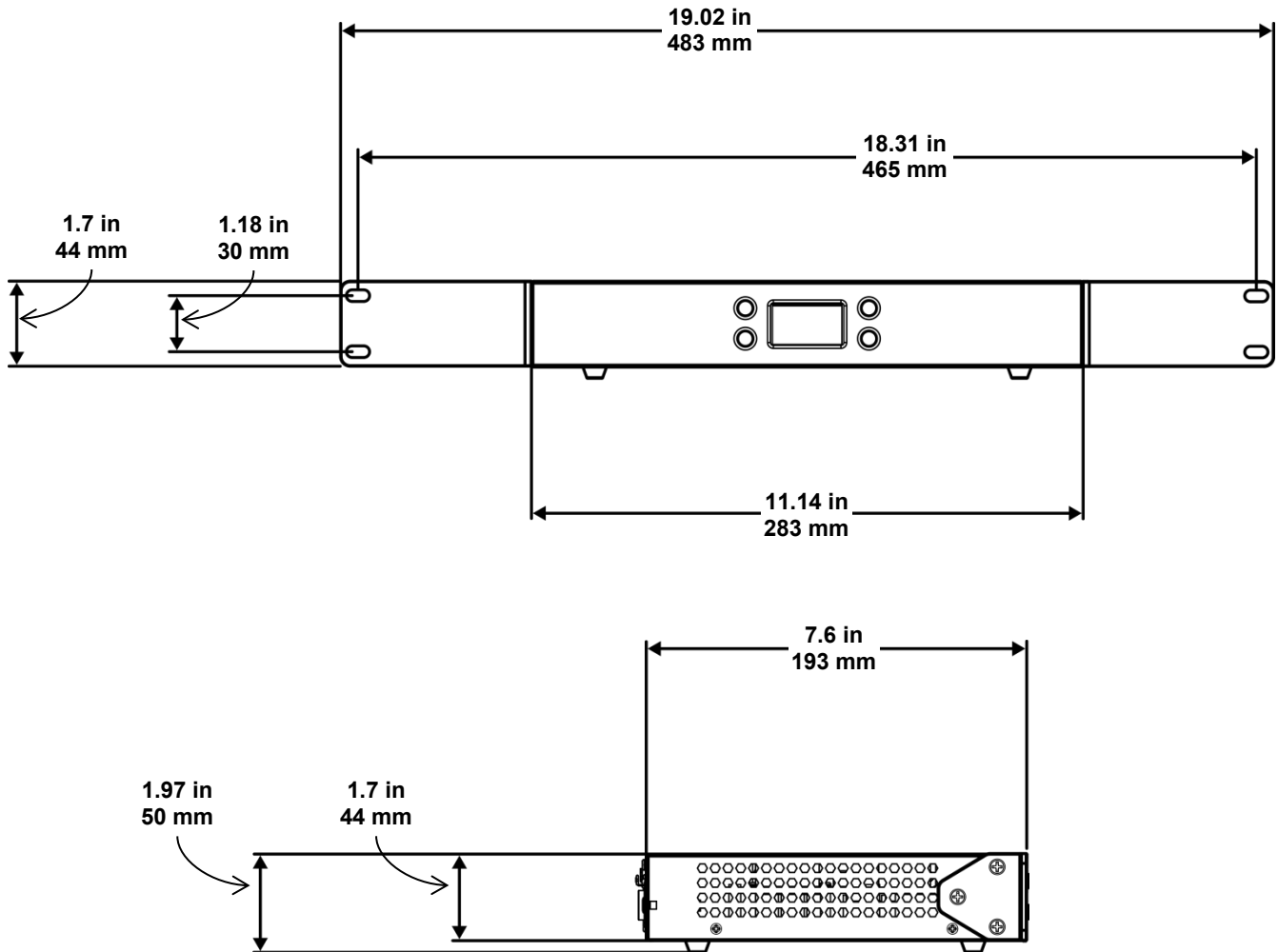
**Description** ÉPIX Drive 900 hosts the processing and power supply for the ÉPIX Tour product line in one convenient device. It controls up to 18 ÉPIX Strip Tour, 36 ÉPIX Strip Tour 50, 6 ÉPIX Bar Tour, 6 ÉPIX Strip IP, or 12 ÉPIX Strip IP 50 products easily using Art-Net™, sACN, or ArKaos Kling-Net. Configuration and setup are fast and easy with its built-in OLED display. Additionally, configuration can be managed with a network-based remote web server.

- Features**
- The processing and power center of the ÉPIX Tour system will drive any combination of ÉPIX Tour products, up to 900 LEDs.
  - Versatile control options include Art-Net, Kling-Net, and sACN (streaming ACN) to support the touring/rental/installation markets.
  - Quickly and easily configure the ÉPIX Drive 900 using the built-in OLED display.
  - Easily detect and automatically configure your devices using the auto-address function, regardless of fixture order or type (bar/strip).
  - Supports up to 18 ÉPIX Strip Tours or 6 ÉPIX Bar Tours.
  - Easily daisy chain fixtures directly from the single output of the Drive 900 on a single cable.
  - Advanced power management design allows you to position the Drive 900 up to 65 ft away from your last fixture (using shielded cable).
  - Works with Arkaos Media Master Express for a plug-n-play system that requires almost no training to operate.

### Overview



## Dimensions





### 3. SETUP

#### AC Power

Each ÉPIX Drive 900 has an auto-ranging power supply that works with an input voltage range of 100 to 240 VAC, 50/60 Hz. To determine the power requirements for each ÉPIX Drive 900, refer to the label affixed to the product. You can also refer to the [Technical Specifications](#) chart in this manual.

The listed current rating indicates the maximum current draw during normal operation. For more information, you may download Sizing Circuit Breakers from the Chauvet website: [www.chauvetprofessional.com](http://www.chauvetprofessional.com).



- **Always connect this product to a protected circuit with an appropriate electrical ground to avoid the risk of electrocution or fire.**
- **To eliminate unnecessary wear and improve its lifespan, during periods of non-use completely disconnect the product from power via breaker or by unplugging it.**



Never connect this product to a rheostat (variable resistor) or dimmer circuit, even if the rheostat or dimmer channel serves only as a 0 to 100% switch.

#### AC Plug

The ÉPIX Drive 900 comes with a power input cord terminated with a Neutrik® powerCON® A connector on one end and an Edison plug on the other end (U.S. market). If the power input cord that came with your product has no plug, or if you need to change the Edison plug, use the table below to wire the new plug.

Connection	Wire (U.S.)	Wire (Europe)	Screw Color
AC Live	Black	Brown	Yellow or Brass
AC Neutral	White	Blue	Silver
AC Ground	Green/Yellow	Green/Yellow	Green

#### Power Linking

The ÉPIX Drive 900 supports power linking. You can power link up to 6 products at 120 V; up to 11 at 208 V; or up to 12 at 230 V.

This product comes with a power input cord. Power linking cables are available from Chauvet for purchase.

#### Fuse Replacement

1. Disconnect this product from the power outlet.
2. Using a flat-head screwdriver, unscrew the fuse holder cap from the housing.
3. Remove the blown fuse and replace with another fuse of the same type and rating (T 5 A, 250 V).
4. Screw the fuse holder cap back in place and reconnect power.



**Make sure to disconnect the product's power cord before replacing a blown fuse. Always replace the blown fuse with another of the same type and rating.**

**Mounting** Before mounting this product, read and follow the Safety Notes. For our CHAUVET Professional line of mounting clamps, go to <http://trusst.com/products/>.

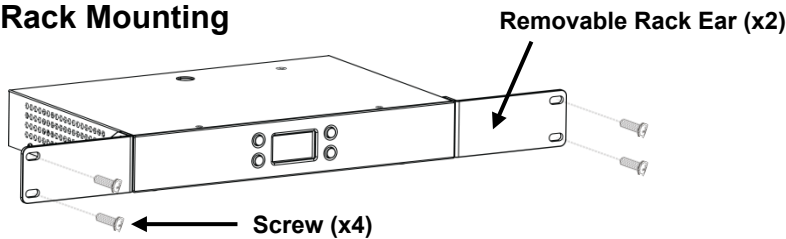
**Orientation** Always mount this product in a safe position and make sure there is adequate room for ventilation, configuration, and maintenance.

**Rigging** Chauvet recommends using the following general guidelines when mounting this product.

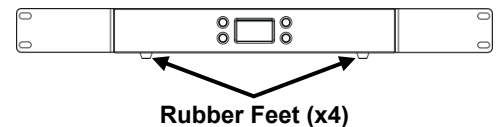
- When selecting an installation location, consider easy access to this product for operation, programming adjustments, and routine maintenance.
- The product is not intended for permanent installation.
- Make sure to mount this product away from any flammable material as indicated in the Safety Notes.
- Never mount in places where rain, high humidity, extreme temperature changes, or restricted ventilation may affect the product.
- Before deciding on a location, always make sure there is easy access to the product for maintenance and programming.
- If hanging this product, make sure that the mounting location can support the product's weight. See the Technical Specifications for the weight-bearing requirements of this product.
- When hanging this product, always secure to a fastening device using a safety cable. For our CHAUVET Professional line of safety cables, go to <http://trusst.com/products/>.
- When mounting the product on the floor, make sure that the product and cables are away from people and vehicles.

**Procedure** The ÉPIX Drive 900 fits nicely in a standard 19" rack using the included removable rack ears. You may also choose to attach a M12 mounting clamp for hanging or simply place it on its feet on a flat level surface. You must supply your own mounting hardware. Make sure all hardware and mounting surfaces are capable of supporting the weight of this product. For our CHAUVET Professional line of mounting clamps, go to <http://trusst.com/products/>.

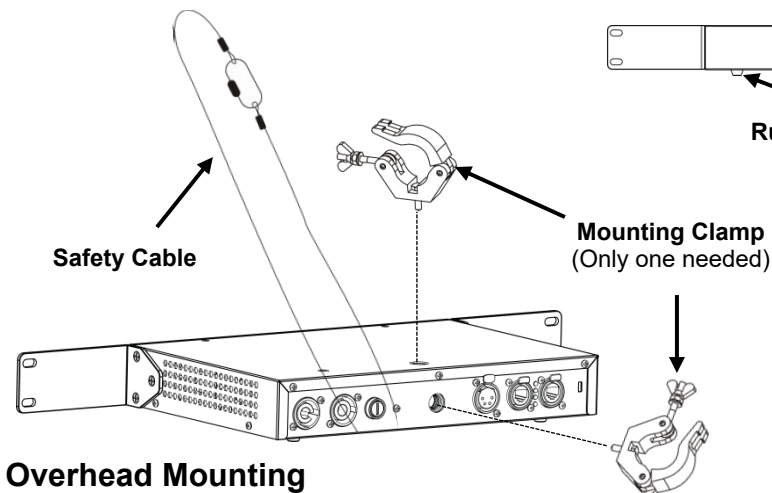
**Rack Mounting**



**Surface Mounting**



**Mounting Diagram**



## Signal Connections

You can link the ÉPIX Drive 900 to controller software using an Ethernet connection. If using other Art-Net™, sACN or Kling-Net-compatible products with the ÉPIX Drive 900, you can control each individually on a single network.

### Art-Net™ Connection

Art-Net™ is an Ethernet protocol that uses TCP/IP which transfers a large amount of DMX512 data using an Neutrik® etherCON® RJ45 connection over a large network. An Art-Net™ protocol document is available from [www.chauvetprofessional.com](http://www.chauvetprofessional.com). Art-Net™ designed by and copyright Artistic Licence Holdings Ltd.

### sACN Connection

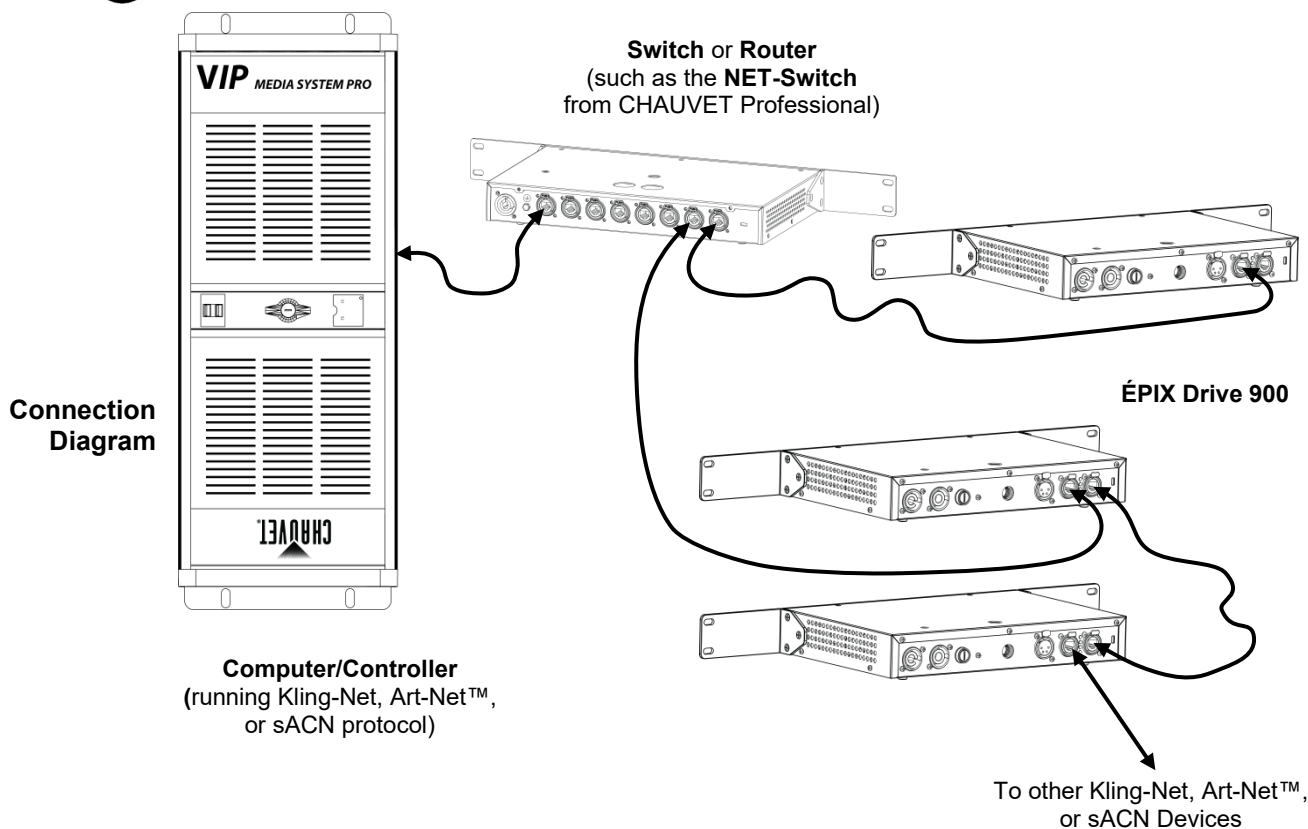
Also known as ANSI E1.31, Streaming-ACN is an Ethernet protocol that uses the layering and formatting of Architecture for Control Networks to transport DMX512 data over IP or any other ACN compatible network.

### Kling-Net Connection

Kling-Net is a network protocol that allows auto configuration of display devices using a Neutrik® etherCON® RJ45 Ethernet connection. Refer to the ArKaos software manual for detailed instructions on programming this product.



**For smooth-running operation, ArKaos Kling-Net requires a gigabit (1000 Mbps) Ethernet card and network router.**



**Never connect an ÉPIX product to the WAN port of a router.**

## Connecting ÉPIX Products

The ÉPIX Drive 900 uses a 4-pin XLR connection to link all ÉPIX Tour and ÉPIX IP products. Each ÉPIX product must be daisy-chained together in series. Each ÉPIX Drive 900 can support up to 900 LEDs in 343 possible configurations that max out the capability of the product. The table below gives the maximum number of each product for the maximum given of each other product connected to one ÉPIX Drive 900.

Strip Tour	Strip Tour 50	Bar Tour or Strip IP	Strip IP 50	Strip Tour	Strip Tour 50	Bar Tour or Strip IP	Strip IP 50
18	0	0	0	4	4	2	4
17	2	0	0	4	4	1	6
16	4	0	0	4	4	0	8
16	1	0	1	4	1	4	1
15	6	0	0	4	1	3	3
15	3	0	1	4	1	2	5
15	0	1	0	4	1	1	7
15	0	0	2	4	1	0	9
14	8	0	0	3	30	0	0
14	5	0	1	3	27	0	1
14	2	1	0	3	24	1	0
14	2	0	2	3	24	0	2
13	10	0	0	3	21	1	1
13	7	0	1	3	21	0	3
13	4	1	0	3	18	2	0
13	4	0	2	3	18	1	2
13	1	1	1	3	18	0	4
13	1	0	3	3	15	2	1
12	12	0	0	3	15	1	3
12	9	0	1	3	15	0	5
12	6	1	0	3	12	3	0
12	6	0	2	3	12	2	2
12	3	1	1	3	12	1	4
12	3	0	3	3	12	0	6
12	0	2	0	3	9	3	1
12	0	1	2	3	9	2	3
12	0	0	4	3	9	1	5
11	14	0	0	3	9	0	7
11	11	0	1	3	6	4	0
11	8	1	0	3	6	3	2
11	8	0	2	3	6	2	4
11	5	1	1	3	6	1	6
11	5	0	3	3	6	0	8
11	2	2	0	3	3	4	1
11	2	1	2	3	3	3	3
11	2	0	4	3	3	2	5
10	16	0	0	3	3	1	7
10	13	0	1	3	3	0	9
10	10	1	0	3	0	5	0
10	10	0	2	3	0	4	2
10	7	1	1	3	0	3	4
10	7	0	3	3	0	2	6
10	4	2	0	3	0	1	8
10	4	1	2	3	0	0	10
10	4	0	4	2	32	0	0
10	1	2	1	2	29	0	1
10	1	1	3	2	26	1	0

Strip Tour	Strip Tour 50	Bar Tour or Strip IP	Strip IP 50	Strip Tour	Strip Tour 50	Bar Tour or Strip IP	Strip IP 50
10	1	0	5	2	26	0	2
9	18	0	0	2	23	1	1
9	15	0	1	2	23	0	3
9	12	1	0	2	20	2	0
9	12	0	2	2	20	1	2
9	9	1	1	2	20	0	4
9	9	0	3	2	17	2	1
9	6	2	0	2	17	1	3
9	6	1	2	2	17	0	5
9	6	0	4	2	14	3	0
9	3	2	1	2	14	2	2
9	3	1	3	2	14	1	4
9	3	0	5	2	14	0	6
9	0	3	0	2	11	3	1
9	0	2	2	2	11	2	3
9	0	1	4	2	11	1	5
9	0	0	6	2	11	0	7
8	20	0	0	2	8	4	0
8	17	0	1	2	8	3	2
8	14	1	0	2	8	2	4
8	14	0	2	2	8	1	6
8	11	1	1	2	8	0	8
8	11	0	3	2	5	4	1
8	8	2	0	2	5	3	3
8	8	1	2	2	5	2	5
8	8	0	4	2	5	1	7
8	5	2	1	2	5	0	9
8	5	1	3	2	2	5	0
8	5	0	5	2	2	4	2
8	2	3	0	2	2	3	4
8	2	2	2	2	2	2	6
8	2	1	4	2	2	1	8
8	2	0	6	2	2	0	10
7	22	0	0	1	34	0	0
7	19	0	1	1	31	0	1
7	16	1	0	1	28	1	0
7	16	0	2	1	28	0	2
7	13	1	1	1	25	1	1
7	13	0	3	1	25	0	3
7	10	2	0	1	22	2	0
7	10	1	2	1	22	1	2
7	10	1	4	1	22	0	4
7	7	2	1	1	19	2	1
7	7	1	3	1	19	1	3
7	7	0	5	1	19	0	5
7	4	3	0	1	16	3	0
7	4	2	2	1	16	2	2
7	4	1	4	1	16	1	4
7	4	0	6	1	16	0	6
7	1	3	1	1	13	3	1
7	1	2	3	1	13	2	3
7	1	1	5	1	13	1	5

Strip Tour	Strip Tour 50	Bar Tour or Strip IP	Strip IP 50	Strip Tour	Strip Tour 50	Bar Tour or Strip IP	Strip IP 50
7	1	0	7	1	13	0	7
6	24	0	0	1	10	4	0
6	21	0	1	1	10	3	2
6	18	1	0	1	10	2	4
6	18	0	2	1	10	1	6
6	15	1	1	1	10	0	8
6	15	0	3	1	7	4	1
6	12	2	0	1	7	3	3
6	12	1	2	1	7	2	5
6	12	0	4	1	7	1	7
6	9	2	1	1	7	0	9
6	9	1	3	1	4	5	0
6	9	0	5	1	4	4	2
6	6	3	0	1	4	3	4
6	6	2	2	1	4	2	6
6	6	1	4	1	4	1	8
6	6	0	6	1	4	0	10
6	3	3	1	1	1	5	1
6	3	2	3	1	1	4	3
6	3	1	5	1	1	3	5
6	3	0	7	1	1	2	7
6	0	4	0	1	1	1	9
6	0	3	2	1	1	0	11
6	0	2	4	0	36	0	0
6	0	1	6	0	33	0	1
6	0	0	8	0	30	1	0
5	26	0	0	0	30	0	2
5	23	0	1	0	27	1	1
5	20	1	0	0	27	0	3
5	20	0	2	0	24	2	0
5	17	1	1	0	24	1	2
5	17	0	3	0	24	0	4
5	14	2	0	0	21	2	1
5	14	1	2	0	21	1	3
5	14	0	4	0	21	0	5
5	11	2	1	0	18	3	0
5	11	1	3	0	18	2	2
5	11	0	5	0	18	1	4
5	8	3	0	0	18	0	6
5	8	2	2	0	15	3	1
5	8	1	4	0	15	2	3
5	8	0	6	0	15	1	5
5	5	3	1	0	15	0	7
5	5	2	3	0	12	4	0
5	5	1	5	0	12	3	2
5	5	0	7	0	12	2	4
5	2	4	0	0	12	1	6
5	2	3	2	0	12	0	8
5	2	2	4	0	9	4	1
5	2	1	6	0	9	3	3
5	2	0	8	0	9	2	5
4	28	0	0	0	9	1	7

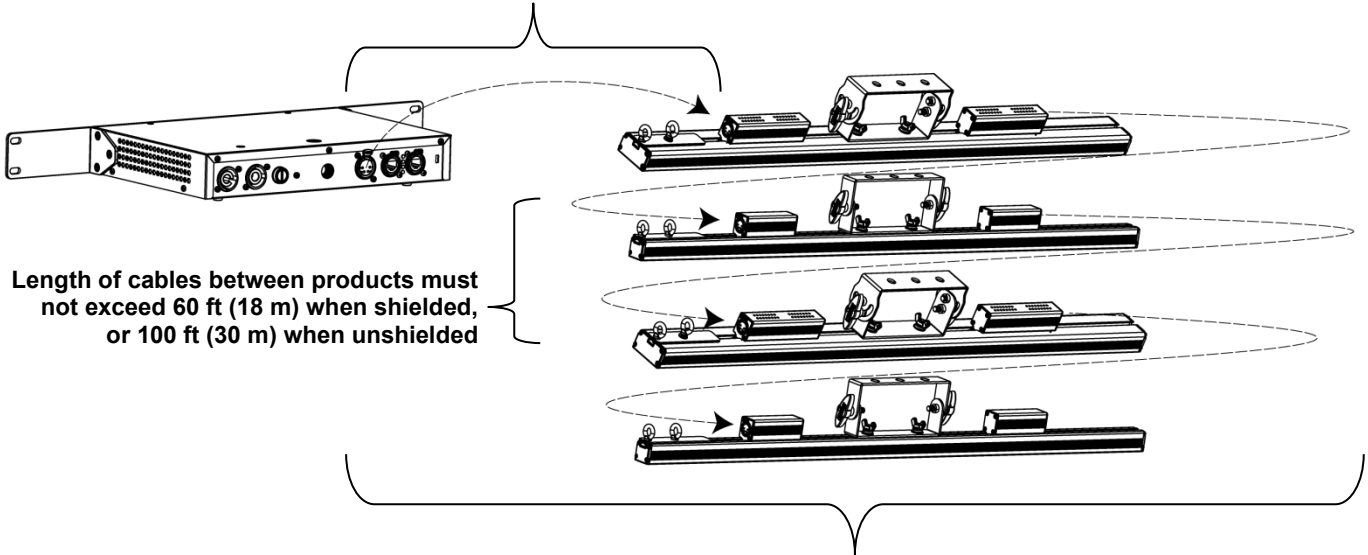
Strip Tour	Strip Tour 50	Bar Tour or Strip IP	Strip IP 50	Strip Tour	Strip Tour 50	Bar Tour or Strip IP	Strip IP 50
4	25	0	1	0	9	0	9
4	22	1	0	0	6	5	0
4	22	0	2	0	6	4	2
4	19	1	1	0	6	3	4
4	19	0	3	0	6	2	6
4	16	2	0	0	6	1	8
4	16	1	2	0	6	0	10
4	16	0	4	0	3	5	1
4	13	2	1	0	3	4	3
4	13	1	3	0	3	3	5
4	13	0	5	0	3	2	7
4	10	3	0	0	3	1	9
4	10	2	2	0	3	0	11
4	10	1	4	0	0	6	0
4	10	0	6	0	0	5	2
4	7	3	1	0	0	4	4
4	7	2	3	0	0	3	6
4	7	1	5	0	0	2	8
4	7	0	7	0	0	1	10
4	4	4	0	0	0	0	12
4	4	3	2				



In calculating the number of products which can be supported at once, ÉPIX Strip IP products are treated as having 150 LEDs, and ÉPIX Strip IP 50 products are treated as having 75 LEDs, due to differing power requirements for these products.

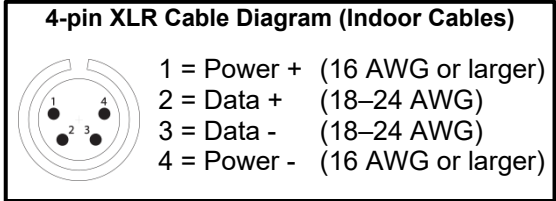
### Connection Diagram

Length of cables between ÉPIX Drive 900 and 1<sup>st</sup> product must not exceed 65 ft (20 m) when shielded, or 150 ft (45 m) when unshielded



Length of cables between products must not exceed 60 ft (18 m) when shielded, or 100 ft (30 m) when unshielded

Total length of cables cannot exceed 210 ft (64 m) when shielded, or 300 ft (91 m) when unshielded



- The ÉPIX Drive 900 can support up to 18 ÉPIX Strip Tour products, 6 ÉPIX Bar Tour products, 36 ÉPIX Strip Tour 50 products, 6 ÉPIX Strip IP products, or 12 ÉPIX Strip IP 50 products, or any combination up to 900 LEDs.
- In calculating the number of products which can be supported at once, ÉPIX Strip IP products are treated as having 150 LEDs, and ÉPIX Strip IP 50 products are treated as having 75 LEDs, due to differing power requirements for these products.
- Make sure the total length of the connecting shielded 4-pin XLR cables does not exceed 210 feet (64 meters). Using unshielded cables will increase the maximum cable length to 300 feet (91 meters).



- Most standard 4-pin XLR “Scroller” cables are shielded.
- IP rated cables are recommended when using ÉPIX IP products.



## 4. OPERATION

Control Panel Description	Button	Function
	<MENU/ESC>	Exits from the current menu or function or cycles through the main level of the menu
	<UP>	Navigates upward through the menu list or increases the numeric value when in a function
	<DOWN>	Navigates downward through the menu list or decreases the numeric value when in a function
	<ENTER>	Enables the currently displayed menu or sets the currently selected value into the current function

### Menu Map

Firmware V1.4

Main Level	Programming Levels		Description	
Auto Address	No		Automatically find and address the products	
	Yes			
View Linked Fixture	1. X** – 36. X**		Shows the connected products in order	
LED Output	Off		Turn off all LED output	
	Red		Red LEDs at full	
	Green		Green LEDs at full	
	Blue		Blue LEDs at full	
	White		White LEDs at full	
	Fade		Color roll fade at full	
	Scroll		Rainbow roll at full	
Protocol	Art-Net		Selects the Ethernet protocol and determines what other Menu options are available	
	Kling-Net			
	sACN			
Display Inverse	No		Turn display 180 degrees	
	Yes			
Factory Reset	No		Resets products to factory defaults	
	Yes			
Ethernet Setting	Personality	Pixel	Sets the control personality. See <a href="#">Control Personalities</a> .	
		7-CH-Drive		
		8-CH-fixture		
		5-Section		
		10-Section		
		25-Section		
	Universe	000–246 (Art-Net™) 001–247 (sACN)		Sets the lowest of the 6 consecutive Art-Net™ or sACN universes the product is assigned to
		IP Address	IP Address #1	Sets the IP addresses for the ÉPIX Drive 900 Note: The addresses cannot be the same *1–126 (Art-Net™) *1–255 (sACN) x = 0–255
	IP Address #2			
	IP Address #3			
IP Address #4				
IP Address #5				
IP Address #6				
DMX Address		1–506	Sets the DMX starting address	



\* - Each ÉPIX Drive 900 uses 6 consecutive universes that are assigned from the Universe level under Ethernet Setting.

\*\* - The display will show the name of the connected product or nothing.

## Settings Configuration

**Home Screen** The ÉPIX Drive 900 has a home screen that displays the current protocol mode and IP addresses, or the Output Test mode. This screen shows at start-up, and after 15 seconds with no menu activity.

The home screen can also be viewed by pressing and holding **<MENU>** for 2 seconds.

**Auto Addressing** The ÉPIX Drive 900 addresses connected products with the Auto Address function. To perform an Auto Address, do the following:

1. Press **<MENU>** repeatedly until **Auto Address** shows on the display.
2. Press **<ENTER>**.
3. Use **<UP>** or **<DOWN>** to select **Yes**.
4. Press **<ENTER>**.



**Perform an Auto Address every time products are connected, disconnected, or reconfigured, as soon as all changes have been made.**



- **Each LED or LED Section in each ÉPIX product requires 3 control channels.**
- **When multiple types of ÉPIX products are used, products will be addressed in order of connection.**

### View Linked Fixtures

To view all of the fixtures discovered by the Auto Addressing function, follow the instructions below:

1. Press **<MENU>** repeatedly until **View Linked Fixture** shows on the display.
2. Press **<ENTER>**.
3. Use **<UP>** or **<DOWN>** to scroll through the list of discovered products, **1–36**.

### LED Output Test

Output Test mode allows the user to test each output of the ÉPIX Drive 900, as well as the functionality of their ÉPIX Tour products. To run an output test:

1. Press **<MENU>** repeatedly until **LED Output** shows on the display.
2. Press **<ENTER>**. The current test mode will begin to output.
3. Use **<UP>** and **<DOWN>** to select one of seven output test modes: **Red, Green, Blue, White, Fade, Scroll, or Off**.
4. Press **<ENTER>**.



**The ÉPIX Drive 900 will remain in Output Test mode until it receives a signal from a controller. To stop the color output without sending a signal to the product, set the LED Output to Off.**

### Protocol

The ÉPIX Drive 900 operates by routing one of three Ethernet protocols (Art-Net™, sACN, or Kling-Net) to the ÉPIX Tour products linked to the output of the Drive. The Ethernet protocol must be set for the products to respond correctly to the controller.

To configure the protocol for the ÉPIX Drive 900, follow the instructions below:

1. Press **<MENU>** repeatedly until **Protocol** shows on the display.
2. Press **<ENTER>**.
3. Use **<UP>** or **<DOWN>** to select **Art-Net, Kling-Net, or sACN**.
4. Press **<ENTER>**.

### Display Orientation

To re-orient the display for easier reading in different mounting applications, do the following:

1. Press **<MENU>** repeatedly until **Display Inverse** shows on the display.
2. Press **<ENTER>**.
3. Use **<UP>** or **<DOWN>** to select **Yes** (for inverted) or **No** (for normal). Press **<ENTER>**.

### Factory Reset

To reset the product to factory defaults:

1. Press **<MENU>** repeatedly until **Factory Reset** shows on the display.
2. Press **<ENTER>**.
3. Use **<UP>** or **<DOWN>** to select **Yes**. Press **<ENTER>**.



**After a Factory Reset, the ÉPIX Drive 900 will be set to Art-Net™ mode.**

**Ethernet Settings** To access the Ethernet Setting menu and configure the product for control by ethernet:

1. Press **<MENU>** repeatedly until **Ethernet Setting** shows on the display.
2. Press **<ENTER>**.

**Control Personalities** The ÉPIX Drive 900 uses Art-Net™ or sACN for its 7 control personalities:

Personality	Channels	Description
Pixel	3 per LED (150 per ÉPIX Strip Tour) (450 per ÉPIX Bar Tour)	Complete pixel control
7-CH-Drive	7	Dimmer, auto programs, and strobe
8-CH-fixture	8 per ÉPIX product	Dimmer, auto programs, strobe, and dimmer speed
5-Section	15 per ÉPIX product	Controls LED output in 5 sections of LEDs
10-Section	30 per ÉPIX product	Controls LED output in 10 sections of LEDs
25-Section	75 per ÉPIX product	Controls LED output in 25 sections of LEDs
50-Section	150 per ÉPIX product	Controls LED output in 50 sections of LEDs

To select the control personality:

1. Access the Ethernet Setting menu.
2. Use **<UP>** or **<DOWN>** to select **Personality**.
3. Press **<ENTER>**.
4. Use **<UP>** or **<DOWN>** to select the desired personality, from **Pixel, 7-CH-Drive, 8-CH-fixture, 5-Section, 10-Section, 25-Section, or 50-Section**.
5. Press **<ENTER>**.

**Start Universe** Each ÉPIX Drive 900 uses 6 consecutive universes in Art-Net™ mode and sACN mode, which are assigned by setting the starting (lowest-numbered) universe address.

To set the address of the starting universe, do the following:

1. Access the Ethernet Setting menu.
2. Use **<UP>** or **<DOWN>** to select **Universe**.
3. Use **<UP>** or **<DOWN>** to increase or decrease the universe address, from **0–246** (for Art-Net™), or **1–247** (for sACN).
4. Press **<ENTER>**.



**Each universe can support up to 3 ÉPIX Strip Tour products, 6 ÉPIX Strip Tour 50 products, 1 ÉPIX Bar Tour, 1 ÉPIX Strip IP, or 2 ÉPIX Strip IP 50 products. Regardless of the order in which they are connected, ÉPIX Strip Tour products will be grouped together, 3 to a universe.**

**IP Addresses** In Art-Net™ and sACN mode, the ÉPIX Drive 900 dedicates a separate IP address for each universe. To set any of the 6 IP addresses in the ÉPIX Drive 900, follow the instructions below:

1. Access the Ethernet Setting menu.
2. Use **<UP>** or **<DOWN>** to select **IP Address**.
3. Press **<ENTER>**.
4. Use **<UP>** or **<DOWN>** to select which IP address to configure, from **IP Address #1–6**.
5. Press **<ENTER>**.
6. Use **<UP>** or **<DOWN>** to set the highlighted number.
7. Press **<ENTER>**.
8. Repeat steps 3-4 until the IP address is set as desired.



- **The beginnings of the IP addresses can be set from 1–126 in Art-Net™ mode, or from 1–255 in sACN mode. The beginnings of each IP address will always match.**
- **The IP addresses cannot be identical.**

**DMX Address** To set the starting DMX address for the ÉPIX Drive 900:

1. Access the Ethernet Setting menu.
2. Use **<UP>** or **<DOWN>** to select **DMX Address**.
3. Press **<ENTER>**.
4. Use **<UP>** or **<DOWN>** to increase or decrease the DMX address, from **1–506**.
5. Press **<ENTER>**.

## Control Values

### Pixel Mode

Channel	Function	Value	Percent/Setting
1	Red 1	000 ⇄ 255	0–100%
2	Green 1	000 ⇄ 255	0–100%
3	Blue 1	000 ⇄ 255	0–100%
4	Red 2	000 ⇄ 255	0–100%
5	Green 2	000 ⇄ 255	0–100%
6	Blue 2	000 ⇄ 255	0–100%
7	Red 3	000 ⇄ 255	0–100%
8	Green 3	000 ⇄ 255	0–100%
9	Blue 3	000 ⇄ 255	0–100%
10	Red 4	000 ⇄ 255	0–100%
11	Green 4	000 ⇄ 255	0–100%
12	Blue 4	000 ⇄ 255	0–100%
13	Red 5	000 ⇄ 255	0–100%
14	Green 5	000 ⇄ 255	0–100%
15	Blue 5	000 ⇄ 255	0–100%
16	Red 6	000 ⇄ 255	0–100%
17	Green 6	000 ⇄ 255	0–100%
18	Blue 6	000 ⇄ 255	0–100%
19	Red 7	000 ⇄ 255	0–100%
20	Green 7	000 ⇄ 255	0–100%
21	Blue 7	000 ⇄ 255	0–100%
22	Red 8	000 ⇄ 255	0–100%
23	Green 8	000 ⇄ 255	0–100%
24	Blue 8	000 ⇄ 255	0–100%
25	Red 9	000 ⇄ 255	0–100%
26	Green 9	000 ⇄ 255	0–100%
27	Blue 9	000 ⇄ 255	0–100%
28	Red 10	000 ⇄ 255	0–100%
29	Green 10	000 ⇄ 255	0–100%
30	Blue 10	000 ⇄ 255	0–100%
...	...	...	...
436	Red 146	000 ⇄ 255	0–100%
437	Green 146	000 ⇄ 255	0–100%
438	Blue 146	000 ⇄ 255	0–100%
439	Red 147	000 ⇄ 255	0–100%
440	Green 147	000 ⇄ 255	0–100%
441	Blue 147	000 ⇄ 255	0–100%
442	Red 148	000 ⇄ 255	0–100%
443	Green 148	000 ⇄ 255	0–100%
444	Blue 148	000 ⇄ 255	0–100%
445	Red 149	000 ⇄ 255	0–100%
446	Green 149	000 ⇄ 255	0–100%
447	Blue 149	000 ⇄ 255	0–100%
448	Red 150	000 ⇄ 255	0–100%
449	Green 150	000 ⇄ 255	0–100%
450	Blue 150	000 ⇄ 255	0–100%

7-CH-Drive Mode	Channel	Function	Value	Percent/Setting
	1	Dimmer	000 ⇔ 255	0–100%
	2	Red	000 ⇔ 255	0–100%
	3	Green	000 ⇔ 255	0–100%
	4	Blue	000 ⇔ 255	0–100%
	5	Auto Programs	000 ⇔ 010	No function
			011 ⇔ 024	Auto program 1
			025 ⇔ 038	Auto program 2
			039 ⇔ 051	Auto program 3
			052 ⇔ 065	Auto program 4
			066 ⇔ 078	Auto program 5
			079 ⇔ 092	Auto program 6
			093 ⇔ 105	Auto program 7
			106 ⇔ 119	Auto program 8
			120 ⇔ 133	Auto program 9
			134 ⇔ 146	Auto program 10
			147 ⇔ 160	Auto program 11
			161 ⇔ 173	Auto program 12
			174 ⇔ 187	Auto program 13
			188 ⇔ 200	Auto program 14
	201 ⇔ 214	Auto program 15		
	215 ⇔ 227	Auto program 16		
	228 ⇔ 241	Auto program 17		
	242 ⇔ 255	All programs (Auto programs 1–17)		
	6	Speed	000 ⇔ 255	0–100%
	7	Strobe	000 ⇔ 010	No function
			011 ⇔ 255	Strobe, slow to fast

8-CH-fixture Mode	Channel	Function	Value	Percent/Setting
		1	Dimmer	000 ⇄ 255
	2	Red	000 ⇄ 255	0–100%
	3	Green	000 ⇄ 255	0–100%
	4	Blue	000 ⇄ 255	0–100%
	5	Auto Programs	000 ⇄ 010	No function
			011 ⇄ 024	Auto program 1
			025 ⇄ 038	Auto program 2
			039 ⇄ 051	Auto program 3
			052 ⇄ 065	Auto program 4
			066 ⇄ 078	Auto program 5
			079 ⇄ 092	Auto program 6
			093 ⇄ 105	Auto program 7
			106 ⇄ 119	Auto program 8
			120 ⇄ 133	Auto program 9
			134 ⇄ 146	Auto program 10
			147 ⇄ 160	Auto program 11
			161 ⇄ 173	Auto program 12
			174 ⇄ 187	Auto program 13
			188 ⇄ 200	Auto program 14
			201 ⇄ 214	Auto program 15
			215 ⇄ 227	Auto program 16
	228 ⇄ 241	Auto program 17		
	242 ⇄ 255	All programs (Auto programs 1–17)		
	6	Speed	000 ⇄ 255	0–100%
	7	Strobe	000 ⇄ 010	No function
			011 ⇄ 255	Strobe, slow to fast
	8	Dimmer Speed Mode	000 ⇄ 101	Linear dimmer
			102 ⇄ 152	Fast dimmer
			153 ⇄ 203	Medium dimmer
			204 ⇄ 255	Slow dimmer

**5-Section Mode**

(15 channels per ÉPIX product)

Channel	Function	Value	Percent/Setting	
1	Red 1	000 ⇄ 255	0–100%	Section 1
2	Green 1	000 ⇄ 255	0–100%	
3	Blue 1	000 ⇄ 255	0–100%	
4	Red 2	000 ⇄ 255	0–100%	Section 2
5	Green 2	000 ⇄ 255	0–100%	
6	Blue 2	000 ⇄ 255	0–100%	
7	Red 3	000 ⇄ 255	0–100%	Section 3
8	Green 3	000 ⇄ 255	0–100%	
9	Blue 3	000 ⇄ 255	0–100%	
10	Red 4	000 ⇄ 255	0–100%	Section 4
11	Green 4	000 ⇄ 255	0–100%	
12	Blue 4	000 ⇄ 255	0–100%	
13	Red 5	000 ⇄ 255	0–100%	Section 5
14	Green 5	000 ⇄ 255	0–100%	
15	Blue 5	000 ⇄ 255	0–100%	

**10-Section Mode**

(30 channels per ÉPIX product)

Channel	Function	Value	Percent/Setting	
1	Red 1	000 ⇄ 255	0–100%	Section 1
2	Green 1	000 ⇄ 255	0–100%	
3	Blue 1	000 ⇄ 255	0–100%	
4	Red 2	000 ⇄ 255	0–100%	Section 2
5	Green 2	000 ⇄ 255	0–100%	
6	Blue 2	000 ⇄ 255	0–100%	
7	Red 3	000 ⇄ 255	0–100%	Section 3
8	Green 3	000 ⇄ 255	0–100%	
9	Blue 3	000 ⇄ 255	0–100%	
10	Red 4	000 ⇄ 255	0–100%	Section 4
11	Green 4	000 ⇄ 255	0–100%	
12	Blue 4	000 ⇄ 255	0–100%	
13	Red 5	000 ⇄ 255	0–100%	Section 5
14	Green 5	000 ⇄ 255	0–100%	
15	Blue 5	000 ⇄ 255	0–100%	
16	Red 6	000 ⇄ 255	0–100%	Section 6
17	Green 6	000 ⇄ 255	0–100%	
18	Blue 6	000 ⇄ 255	0–100%	
19	Red 7	000 ⇄ 255	0–100%	Section 7
20	Green 7	000 ⇄ 255	0–100%	
21	Blue 7	000 ⇄ 255	0–100%	
22	Red 8	000 ⇄ 255	0–100%	Section 8
23	Green 8	000 ⇄ 255	0–100%	
24	Blue 8	000 ⇄ 255	0–100%	
25	Red 9	000 ⇄ 255	0–100%	Section 9
26	Green 9	000 ⇄ 255	0–100%	
27	Blue 9	000 ⇄ 255	0–100%	
28	Red 10	000 ⇄ 255	0–100%	Section 10
29	Green 10	000 ⇄ 255	0–100%	
30	Blue 10	000 ⇄ 255	0–100%	

**25-Section Mode**  
(75 channels per ÉPIX product)

Channel	Function	Value	Percent/Setting	
1	Red 1	000 ⇔ 255	0–100%	Section 1
2	Green 1	000 ⇔ 255	0–100%	
3	Blue 1	000 ⇔ 255	0–100%	
4	Red 2	000 ⇔ 255	0–100%	Section 2
5	Green 2	000 ⇔ 255	0–100%	
6	Blue 2	000 ⇔ 255	0–100%	
7	Red 3	000 ⇔ 255	0–100%	Section 3
8	Green 3	000 ⇔ 255	0–100%	
9	Blue 3	000 ⇔ 255	0–100%	
10	Red 4	000 ⇔ 255	0–100%	Section 4
11	Green 4	000 ⇔ 255	0–100%	
12	Blue 4	000 ⇔ 255	0–100%	
13	Red 5	000 ⇔ 255	0–100%	Section 5
14	Green 5	000 ⇔ 255	0–100%	
15	Blue 5	000 ⇔ 255	0–100%	
16	Red 6	000 ⇔ 255	0–100%	Section 6
17	Green 6	000 ⇔ 255	0–100%	
18	Blue 6	000 ⇔ 255	0–100%	
19	Red 7	000 ⇔ 255	0–100%	Section 7
20	Green 7	000 ⇔ 255	0–100%	
21	Blue 7	000 ⇔ 255	0–100%	
22	Red 8	000 ⇔ 255	0–100%	Section 8
23	Green 8	000 ⇔ 255	0–100%	
24	Blue 8	000 ⇔ 255	0–100%	
25	Red 9	000 ⇔ 255	0–100%	Section 9
26	Green 9	000 ⇔ 255	0–100%	
27	Blue 9	000 ⇔ 255	0–100%	
28	Red 10	000 ⇔ 255	0–100%	Section 10
29	Green 10	000 ⇔ 255	0–100%	
30	Blue 10	000 ⇔ 255	0–100%	
31	Red 11	000 ⇔ 255	0–100%	Section 11
32	Green 11	000 ⇔ 255	0–100%	
33	Blue 11	000 ⇔ 255	0–100%	
34	Red 12	000 ⇔ 255	0–100%	Section 12
35	Green 12	000 ⇔ 255	0–100%	
36	Blue 12	000 ⇔ 255	0–100%	
37	Red 13	000 ⇔ 255	0–100%	Section 13
38	Green 13	000 ⇔ 255	0–100%	
39	Blue 13	000 ⇔ 255	0–100%	
40	Red 14	000 ⇔ 255	0–100%	Section 14
41	Green 14	000 ⇔ 255	0–100%	
42	Blue 14	000 ⇔ 255	0–100%	
43	Red 15	000 ⇔ 255	0–100%	Section 15
44	Green 15	000 ⇔ 255	0–100%	
45	Blue 15	000 ⇔ 255	0–100%	
46	Red 16	000 ⇔ 255	0–100%	Section 16
47	Green 16	000 ⇔ 255	0–100%	
48	Blue 16	000 ⇔ 255	0–100%	



Channel	Function	Value	Percent/Setting	
49	Red 17	000 ⇄ 255	0–100%	Section
50	Green 17	000 ⇄ 255	0–100%	
51	Blue 17	000 ⇄ 255	0–100%	
52	Red 18	000 ⇄ 255	0–100%	Section
53	Green 18	000 ⇄ 255	0–100%	
54	Blue 18	000 ⇄ 255	0–100%	
55	Red 19	000 ⇄ 255	0–100%	Section
56	Green 19	000 ⇄ 255	0–100%	
57	Blue 19	000 ⇄ 255	0–100%	
58	Red 20	000 ⇄ 255	0–100%	Section
59	Green 20	000 ⇄ 255	0–100%	
60	Blue 20	000 ⇄ 255	0–100%	
61	Red 21	000 ⇄ 255	0–100%	Section
62	Green 21	000 ⇄ 255	0–100%	
63	Blue 21	000 ⇄ 255	0–100%	
64	Red 22	000 ⇄ 255	0–100%	Section
65	Green 22	000 ⇄ 255	0–100%	
66	Blue 22	000 ⇄ 255	0–100%	
67	Red 23	000 ⇄ 255	0–100%	Section
68	Green 23	000 ⇄ 255	0–100%	
69	Blue 23	000 ⇄ 255	0–100%	
70	Red 24	000 ⇄ 255	0–100%	Section
71	Green 24	000 ⇄ 255	0–100%	
72	Blue 24	000 ⇄ 255	0–100%	
73	Red 25	000 ⇄ 255	0–100%	Section
74	Green 25	000 ⇄ 255	0–100%	
75	Blue 25	000 ⇄ 255	0–100%	

**50-Section Mode**  
(150 channels per ÉPIX product)

Channel	Function	Value	Percent/Setting	
1	Red 1	000 ⇄ 255	0–100%	Section 1
2	Green 1	000 ⇄ 255	0–100%	
3	Blue 1	000 ⇄ 255	0–100%	
4	Red 2	000 ⇄ 255	0–100%	Section 2
5	Green 2	000 ⇄ 255	0–100%	
6	Blue 2	000 ⇄ 255	0–100%	
7	Red 3	000 ⇄ 255	0–100%	Section 3
8	Green 3	000 ⇄ 255	0–100%	
9	Blue 3	000 ⇄ 255	0–100%	
10	Red 4	000 ⇄ 255	0–100%	Section 4
11	Green 4	000 ⇄ 255	0–100%	
12	Blue 4	000 ⇄ 255	0–100%	
13	Red 5	000 ⇄ 255	0–100%	Section 5
14	Green 5	000 ⇄ 255	0–100%	
15	Blue 5	000 ⇄ 255	0–100%	
16	Red 6	000 ⇄ 255	0–100%	Section 6
17	Green 6	000 ⇄ 255	0–100%	
18	Blue 6	000 ⇄ 255	0–100%	
19	Red 7	000 ⇄ 255	0–100%	Section 7
20	Green 7	000 ⇄ 255	0–100%	
21	Blue 7	000 ⇄ 255	0–100%	

Channel	Function	Value	Percent/Setting	
22	Red 8	000 ⇔ 255	0–100%	Section 8
23	Green 8	000 ⇔ 255	0–100%	
24	Blue 8	000 ⇔ 255	0–100%	
25	Red 9	000 ⇔ 255	0–100%	Section 9
26	Green 9	000 ⇔ 255	0–100%	
27	Blue 9	000 ⇔ 255	0–100%	
28	Red 10	000 ⇔ 255	0–100%	Section 10
29	Green 10	000 ⇔ 255	0–100%	
30	Blue 10	000 ⇔ 255	0–100%	
31	Red 11	000 ⇔ 255	0–100%	Section 11
32	Green 11	000 ⇔ 255	0–100%	
33	Blue 11	000 ⇔ 255	0–100%	
34	Red 12	000 ⇔ 255	0–100%	Section 12
35	Green 12	000 ⇔ 255	0–100%	
36	Blue 12	000 ⇔ 255	0–100%	
37	Red 13	000 ⇔ 255	0–100%	Section 13
38	Green 13	000 ⇔ 255	0–100%	
39	Blue 13	000 ⇔ 255	0–100%	
40	Red 14	000 ⇔ 255	0–100%	Section 14
41	Green 14	000 ⇔ 255	0–100%	
42	Blue 14	000 ⇔ 255	0–100%	
43	Red 15	000 ⇔ 255	0–100%	Section 15
44	Green 15	000 ⇔ 255	0–100%	
45	Blue 15	000 ⇔ 255	0–100%	
46	Red 16	000 ⇔ 255	0–100%	Section 16
47	Green 16	000 ⇔ 255	0–100%	
48	Blue 16	000 ⇔ 255	0–100%	
49	Red 17	000 ⇔ 255	0–100%	Section 17
50	Green 17	000 ⇔ 255	0–100%	
51	Blue 17	000 ⇔ 255	0–100%	
52	Red 18	000 ⇔ 255	0–100%	Section 18
53	Green 18	000 ⇔ 255	0–100%	
54	Blue 18	000 ⇔ 255	0–100%	
55	Red 19	000 ⇔ 255	0–100%	Section 19
56	Green 19	000 ⇔ 255	0–100%	
57	Blue 19	000 ⇔ 255	0–100%	
58	Red 20	000 ⇔ 255	0–100%	Section 20
59	Green 20	000 ⇔ 255	0–100%	
60	Blue 20	000 ⇔ 255	0–100%	
61	Red 21	000 ⇔ 255	0–100%	Section 21
62	Green 21	000 ⇔ 255	0–100%	
63	Blue 21	000 ⇔ 255	0–100%	
64	Red 22	000 ⇔ 255	0–100%	Section 22
65	Green 22	000 ⇔ 255	0–100%	
66	Blue 22	000 ⇔ 255	0–100%	
67	Red 23	000 ⇔ 255	0–100%	Section 23
68	Green 23	000 ⇔ 255	0–100%	
69	Blue 23	000 ⇔ 255	0–100%	

Channel	Function	Value	Percent/Setting	
70	Red 24	000 ⇄ 255	0–100%	Section 24
71	Green 24	000 ⇄ 255	0–100%	
72	Blue 24	000 ⇄ 255	0–100%	
73	Red 25	000 ⇄ 255	0–100%	Section 25
74	Green 25	000 ⇄ 255	0–100%	
75	Blue 25	000 ⇄ 255	0–100%	
76	Red 26	000 ⇄ 255	0–100%	Section 26
77	Green 26	000 ⇄ 255	0–100%	
78	Blue 26	000 ⇄ 255	0–100%	
79	Red 27	000 ⇄ 255	0–100%	Section 27
80	Green 27	000 ⇄ 255	0–100%	
81	Blue 27	000 ⇄ 255	0–100%	
82	Red 28	000 ⇄ 255	0–100%	Section 28
83	Green 28	000 ⇄ 255	0–100%	
84	Blue 28	000 ⇄ 255	0–100%	
85	Red 29	000 ⇄ 255	0–100%	Section 29
86	Green 29	000 ⇄ 255	0–100%	
87	Blue 29	000 ⇄ 255	0–100%	
88	Red 30	000 ⇄ 255	0–100%	Section 30
89	Green 30	000 ⇄ 255	0–100%	
90	Blue 30	000 ⇄ 255	0–100%	
91	Red 31	000 ⇄ 255	0–100%	Section 31
92	Green 31	000 ⇄ 255	0–100%	
93	Blue 31	000 ⇄ 255	0–100%	
94	Red 32	000 ⇄ 255	0–100%	Section 32
95	Green 32	000 ⇄ 255	0–100%	
96	Blue 32	000 ⇄ 255	0–100%	
97	Red 33	000 ⇄ 255	0–100%	Section 33
98	Green 33	000 ⇄ 255	0–100%	
99	Blue 33	000 ⇄ 255	0–100%	
100	Red 34	000 ⇄ 255	0–100%	Section 34
101	Green 34	000 ⇄ 255	0–100%	
102	Blue 34	000 ⇄ 255	0–100%	
103	Red 35	000 ⇄ 255	0–100%	Section 35
104	Green 35	000 ⇄ 255	0–100%	
105	Blue 35	000 ⇄ 255	0–100%	
106	Red 36	000 ⇄ 255	0–100%	Section 36
107	Green 36	000 ⇄ 255	0–100%	
108	Blue 36	000 ⇄ 255	0–100%	
109	Red 37	000 ⇄ 255	0–100%	Section 37
110	Green 37	000 ⇄ 255	0–100%	
111	Blue 37	000 ⇄ 255	0–100%	
112	Red 38	000 ⇄ 255	0–100%	Section 38
113	Green 38	000 ⇄ 255	0–100%	
114	Blue 38	000 ⇄ 255	0–100%	
115	Red 39	000 ⇄ 255	0–100%	Section 39
116	Green 39	000 ⇄ 255	0–100%	
117	Blue 39	000 ⇄ 255	0–100%	

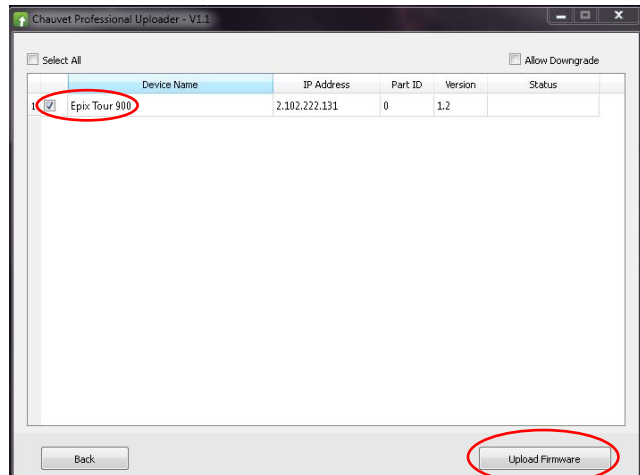
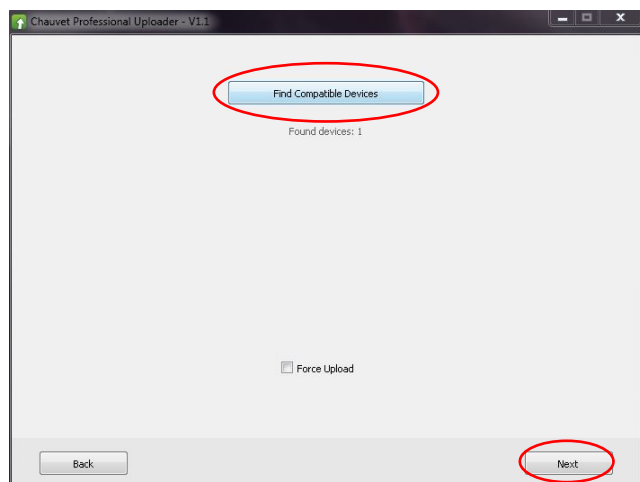
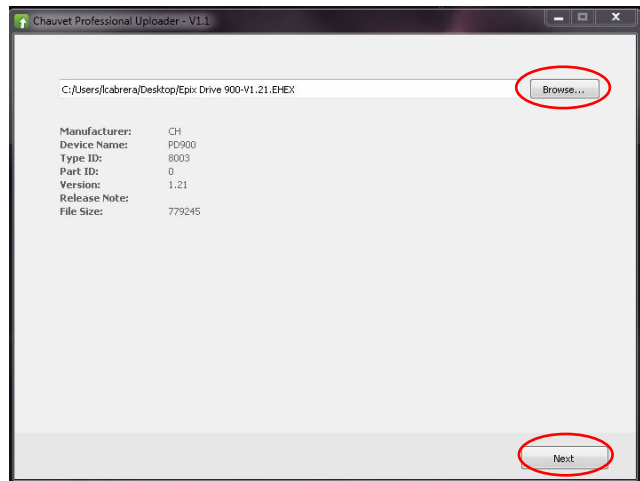
Channel	Function	Value	Percent/Setting	
118	Red 40	000 ⇄ 255	0–100%	Section 40
119	Green 40	000 ⇄ 255	0–100%	
120	Blue 40	000 ⇄ 255	0–100%	
121	Red 41	000 ⇄ 255	0–100%	Section 41
122	Green 41	000 ⇄ 255	0–100%	
123	Blue 41	000 ⇄ 255	0–100%	
124	Red 42	000 ⇄ 255	0–100%	Section 42
125	Green 42	000 ⇄ 255	0–100%	
126	Blue 42	000 ⇄ 255	0–100%	
127	Red 43	000 ⇄ 255	0–100%	Section 43
128	Green 43	000 ⇄ 255	0–100%	
129	Blue 43	000 ⇄ 255	0–100%	
130	Red 44	000 ⇄ 255	0–100%	Section 44
131	Green 44	000 ⇄ 255	0–100%	
132	Blue 44	000 ⇄ 255	0–100%	
133	Red 45	000 ⇄ 255	0–100%	Section 45
134	Green 45	000 ⇄ 255	0–100%	
135	Blue 45	000 ⇄ 255	0–100%	
136	Red 46	000 ⇄ 255	0–100%	Section 46
137	Green 46	000 ⇄ 255	0–100%	
138	Blue 46	000 ⇄ 255	0–100%	
139	Red 47	000 ⇄ 255	0–100%	Section 47
140	Green 47	000 ⇄ 255	0–100%	
141	Blue 47	000 ⇄ 255	0–100%	
142	Red 48	000 ⇄ 255	0–100%	Section 48
143	Green 48	000 ⇄ 255	0–100%	
144	Blue 48	000 ⇄ 255	0–100%	
145	Red 49	000 ⇄ 255	0–100%	Section 49
146	Green 49	000 ⇄ 255	0–100%	
147	Blue 49	000 ⇄ 255	0–100%	
148	Red 50	000 ⇄ 255	0–100%	Section 50
149	Green 50	000 ⇄ 255	0–100%	
150	Blue 50	000 ⇄ 255	0–100%	

## 5. FIRMWARE UPDATE

On occasion, updates to the firmware for the ÉPIX Drive 900 are available. The following is the procedure for obtaining and installing these updates on a Windows PC.

### Instructions

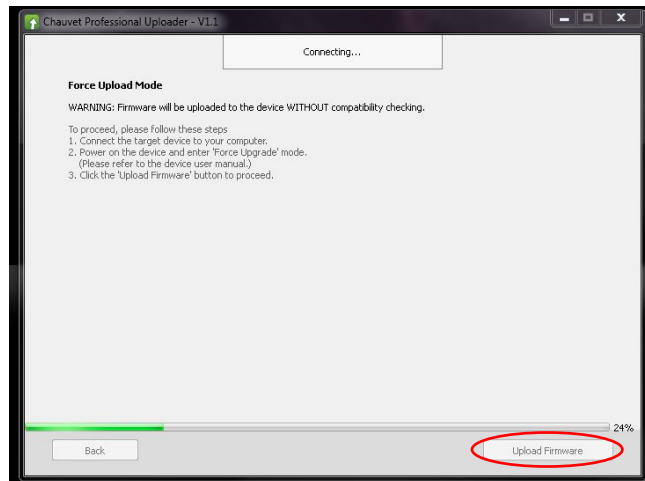
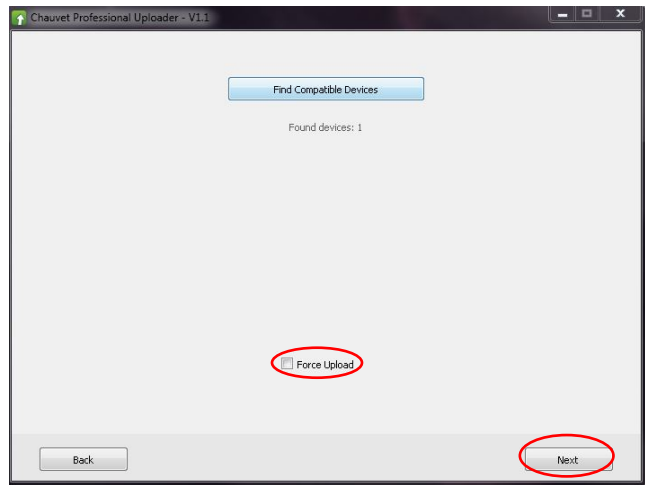
1. Download the CHAUVET Professional Uploader from <http://www.chauvetprofessional.com/products/epix-drive-900> and install it.
2. Download the latest firmware update from <http://www.chauvetprofessional.com/products/epix-drive-900>.
  - After downloading the software and update file, disable or disconnect any networks the PC is connected to. Do NOT disable the network created when the ÉPIX Drive 900 is connected in the next step.
3. Power on the ÉPIX Drive 900 and connect it to the computer using an ethernet cable.
4. Open the ÉPIX Drive 900 upload software.
5. Use the **Browse** option to select the latest firmware update to upload.
6. Click **Next**.
7. Click **Find Compatible Devices**.
8. Click **Next** when the software indicates a device has been found.
  - If the software cannot find the ÉPIX Drive 900 on the network, see [Force Upload Instructions](#).
9. Select the checkbox next to **Epix Tour 900**.
10. Click **Upload Firmware**.
11. Wait for the upload to complete. Do NOT disconnect or power off the product during this process.
12. When the status field says **Done**, exit out of the upload software.
13. Disconnect the ÉPIX Drive 900 from the computer. The firmware update is complete.



## Force Upload Instructions

In the event that the upload software cannot find the ÉPIX Drive 900 on the network, follow the instructions below:

1. Turn off the ÉPIX Drive 900. Press and hold **<MENU>** and **<ENTER>**, then turn it back on. The display menu will flash, indicating the product is in Force Upload mode.
2. After selecting the firmware update file and continuing to the **Find Compatible Devices** page, check off the **Force Upload** option.
3. Click **Next**.
4. Click **Upload Firmware**.
5. Wait for the upload to complete. Do NOT disconnect or power off the product during this process.
6. When the upload is complete, exit out of the upload software.
7. Disconnect the ÉPIX Drive 900 from the computer. The firmware update is complete.



## 6. TECHNICAL INFORMATION

### Product Maintenance

To maintain optimum performance and minimize wear, you should clean this product frequently. Usage and environment are contributing factors in determining the cleaning frequency.

As a rule, clean this product at least twice a month. Dust build-up reduces light output performance and can cause overheating. This can lead to reduced light source life and increased mechanical wear.

To clean your product:

1. Unplug the product from power.
2. Wait until the product is at room temperature.
3. Use a vacuum (or dry compressed air) and a soft brush to remove dust collected on the external vents.
4. Clean all external surfaces with a mild solution of non-ammonia glass cleaner or isopropyl alcohol.
5. Apply the solution directly to a soft, lint-free cotton cloth or a lens cleaning tissue.
6. Wipe any dirt or grime to the outside edges of the lens surface.
7. Gently polish the lens surfaces until they are free of haze and lint.



**Always dry the external surfaces thoroughly and carefully after cleaning them.**



**Do not spin the cooling fans by blowing compressed air into them.**

## 7. TECHNICAL SPECIFICATIONS

<b>Dimensions and Weight</b>	<b>Length</b>	<b>Width</b>	<b>Height</b>	<b>Weight</b>
	19 in (483 mm)	7.6 in (193 mm)	2 in (50 mm)	5.4 lb (2.5 kg)
<b>Note:</b> Dimensions in inches rounded to the nearest decimal digit.				
<b>Power</b>	<b>Power Supply Type</b>	<b>Range</b>		<b>Voltage Selection</b>
	Switching (internal)	100–240 VAC, 50/60 Hz		Auto-ranging
	<b>Parameter</b>	<b>120 VAC, 60 Hz</b>	<b>208 VAC, 60 Hz</b>	<b>230 VAC, 50 Hz</b>
	Consumption	299 W	299 W	299 W
	Current	2.53 A	1.44 A	1.31 A
	Power linking current (products)	13.6 A (6 products)	13.6 A (11 products)	13.6 A (12 products)
	Fuse/Breaker	T 5 A, 250 V	T 5 A, 250 V	T 5 A, 250 V
	<b>Power I/O</b>	<b>U.S./Canada</b>		<b>Worldwide</b>
	Power input connector	Neutrik® powerCON® A		Neutrik® powerCON® A
	Power output connector	Neutrik® powerCON® B		Neutrik® powerCON® B
Power cord plug	Edison (U.S.)		Local plug	
<b>ÉPIX Product Output</b>	<b>Output Connector</b>	<b>Output Voltage</b>		
	4-pin XLR	48 VDC		
	<b>ÉPIX Product</b>	<b>Maximum Load Per Drive</b>	<b>LEDs Per Product</b>	
	ÉPIX Strip Tour	18 products	50	
	ÉPIX Strip Tour 50	36 products	25	
	ÉPIX Bar Tour	6 products	150	
	ÉPIX Strip IP	6 products	100 (treated as 150)	
ÉPIX Strip IP 50	12 products	50 (treated as 75)		
any combination up to 900 LEDs				
<b>Maximum Cable Lengths</b>	<b>Shielded</b>	<b>Unshielded</b>		
	From Drive to 1 <sup>st</sup> ÉPIX product	65 ft (20 m)	150 ft (45 m)	
	Between ÉPIX products	60 ft (18 m)	100 ft (30 m)	
	Total from Drive through all ÉPIX products	210 ft (64 m)	300 ft (91 m)	
<b>Art-Net™ and sACN</b>	<b>I/O Connector</b>	<b>Channel Range (per ÉPIX product)</b>	<b>Universes</b>	
	Amphenol XLRnet	7 (total), 8, 15, 30, 150 or 450	6	
<b>ArKaos Kling-Net</b>	<b>I/O Connector</b>	<b>Channel Range</b>		
	Amphenol XLRnet	Determined per ArKaos MediaMaster software		
<b>Thermal</b>	<b>Max. External Temperature</b>	<b>Cooling System</b>		
	113 °F (45 °C)	Fan-Assisted Convection		





**Ordering**

	<b>Product Name</b>	<b>Item Name</b>	<b>Item Code</b>	<b>UPC Number</b>
<b>ÉPIX Products</b>	ÉPIX Drive 900	EPIXDRIVE900	03091141	781462214890
	ÉPIX Strip Tour	EPIXSTRIPTOUR	03091139	781462214876
	ÉPIX Strip Tour 50	EPIXSTRIPTOUR50	09031436	781462217846
	ÉPIX Bar Tour	EPIXBARTOUR	03091140	781462214883
	ÉPIX Strip IP	EPIXSTRIPIP	03091318	781462216665
	ÉPIX Strip IP 50	EPIXSTRIPIP50	03091435	781462217839
<b>Accessories</b>	ÉPIX Strip Tour Dome Accessory (4 pieces)	EPIXSTRIPDOME	03091142	781462214906
<b>4-pin XLR Cables</b>	4-pin XLR Extension Cable, 16 in	4PINEXT16IN	19111143	781462214913
	4-pin XLR Extension Cable, 5 ft	4PINEXT5FT	19111144	781462214920
	4-pin XLR Extension Cable, 50 ft	4PINEXT50FT	19111147	781462214951
<b>etherCON Cables</b>	Neutrik® etherCON® Extension Cable, 18 in	ETHERCONEXT18IN	19090363	781462207151
	Neutrik® etherCON® Extension Cable, 5 ft	ETHERCONEXT5FT	19090364	781462207168
	Neutrik® etherCON® Extension Cable, 10 ft	ETHERCONEXT10FT	19090365	781462207175
	Neutrik® etherCON® Extension Cable, 25 ft	ETHERCONEXT25FT	19090366	781462207182
	Neutrik® etherCON® Extension Cable, 50 ft	ETHERCONEXT50FT	19090367	781462207199
<b>powerCON Cables</b>	Neutrik® powerCON® Extension Cable, 18 in	POWERCONEXT18IN	19110372	781462207243
	Neutrik® powerCON® Extension Cable, 5 ft	POWERCONEXT5FT	19110373	781462207250
	Neutrik® powerCON® Extension Cable, 10 ft	POWERCONEXT10FT	19110374	781462207267
	Neutrik® powerCON® Extension Cable, 25 ft	POWERCONEXT25FT	19110375	781462207274
	Neutrik® powerCON® Extension Cable, 50 ft	POWERCONEXT50FT	19110376	781462207281

For the most current list of related products and accessories available from CHAUVET Professional, visit our website at [www.chauvetprofessional.com](http://www.chauvetprofessional.com).

## RETURNS

To get support or return a product:

- If you are located in the U.S., contact Chauvet World Headquarters.
- If you are located in the UK or Ireland, contact Chauvet Europe Ltd.
- If you are located in Benelux, contact Chauvet Europe BVBA.
- If you are located in France, contact Chauvet France.
- If you are located in Germany, contact Chauvet Germany.
- If you are located in Mexico, contact Chauvet Mexico.

If you are located in any other country, DO NOT contact Chauvet. Instead, contact your local distributor. See [www.chauvetprofessional.com](http://www.chauvetprofessional.com) for distributors outside the U.S., UK, Ireland, Benelux, France, Germany, or Mexico.



**If you are located outside the U.S., UK, Ireland, Benelux, France, Germany, or Mexico, contact your distributor of record and follow their instructions on how to return Chauvet products to them. Visit our website [www.chauvetprofessional.com](http://www.chauvetprofessional.com) for contact details.**

Call the corresponding Chauvet Technical Support office and request a Return Merchandise Authorization (RMA) number before shipping the product. Be prepared to provide the model number, serial number, and a brief description of the cause for the return.

To submit a service request online, go to [www.chauvetprofessional.com/service-request](http://www.chauvetprofessional.com/service-request).

Send the merchandise prepaid, in its original box, and with its original packing and accessories. Chauvet will not issue call tags.

Clearly label the package with the RMA number. Chauvet will refuse any product returned without an RMA number.



**Write the RMA number on a properly affixed label. DO NOT write the RMA number directly on the box.**

Before sending the product, clearly write the following information on a piece of paper and place it inside the box:

- Your name
- Your address
- Your phone number
- RMA number
- A brief description of the problem

Be sure to pack the product properly. Any shipping damage resulting from inadequate packaging will be your responsibility. FedEx packing or double-boxing are recommended.



**Chauvet reserves the right to use its own discretion to repair or replace returned product(s).**

# CONTACT Us

General Information	Technical Support
<b>World Headquarters</b>	
Address: 5200 NW 108th Avenue Sunrise, FL 33351 Voice: (954) 577-4455 Fax: (954) 929-5560 Toll free: (800) 762-1084	Voice: (844) 393-7575 Fax: (954) 756-8015 Email: <a href="mailto:chauvetcs@chauvetlighting.com">chauvetcs@chauvetlighting.com</a> Website <a href="http://www.chauvetprofessional.com">www.chauvetprofessional.com</a>
<b>UK</b>	
Address: Unit 1C Brookhill Road Industrial Estate Pinxton, Nottingham, UK NG16 6NT Voice: +44 (0)1773 511115 Fax: +44 (0)1773 511110	Email: <a href="mailto:UKtech@chauvetlighting.eu">UKtech@chauvetlighting.eu</a> Website: <a href="http://www.chauvetprofessional.eu">www.chauvetprofessional.eu</a>
<b>Benelux</b>	
Address: Stokstraat 18 9770 Kruishoutem Belgium Voice: +32 9 388 93 97	Email: <a href="mailto:BNLtech@chauvetlighting.eu">BNLtech@chauvetlighting.eu</a> Website: <a href="http://www.chauvetprofessional.eu">www.chauvetprofessional.eu</a>
<b>France</b>	
Address: 3, Rue Ampère 91380 Chilly-Mazarin France Voice: +33 1 78 85 33 59	Email: <a href="mailto:FRtech@chauvetlighting.fr">FRtech@chauvetlighting.fr</a> Website: <a href="http://www.chauvetprofessional.eu">www.chauvetprofessional.eu</a>
<b>Germany</b>	
Address: Bruno-Bürgel-Str. 11 28759 Bremen Germany Voice: +49 421 62 60 20	Email: <a href="mailto:DEtech@chauvetlighting.de">DEtech@chauvetlighting.de</a> Website: <a href="http://www.chauvetprofessional.eu">www.chauvetprofessional.eu</a>
<b>Mexico</b>	
Address: Av. de las Partidas 34-3B (Entrance by Calle 2) Zona Industrial Lerma Lerma, Mexico C.P. 52000 Voice: +52 (728) 690-2010	Email: <a href="mailto:servicio@chauvet.com.mx">servicio@chauvet.com.mx</a> Website: <a href="http://www.chauvetprofessional.mx">www.chauvetprofessional.mx</a>

Visit the applicable website above to verify our contact information and instructions to request support. Outside the U.S., United Kingdom, Ireland, Mexico, France, Germany, or Benelux, contact the dealer of record.