

Quantum series



Q 23 TW

DAS Audio Group, S.L. - C/ Islas Baleares 24 - 46988
Fuente del Jarro - Valencia - Spain - Tel. +34961340860
Updated (DD/MM/YYYY): 25/09/2023



SOUND WITH SOUL

KEY FEATURES

- Passive system
- Extruded aluminum enclosure
- 2 x 3", 3P16 full-range speaker
- Dispersion H x V: 120° x 70°/90°
- SPL peak: 112 dB
- Multi-tap 100/70V transformer included
- Low/high-impedance operation
- Available in all RAL colors

APPLICATIONS

- A/V systems and corporate events
- Meeting rooms, classrooms, and exhibit areas
- Installations in bars and clubs

DESCRIPTION

The Q-23 is a highly compact and discrete system ideal for short distances, for creating ambience, and for frontfill and under-balcony sound reinforcement. Like the other systems in the series, the Q-3 has two operating modes (voice and music) that guarantee outstanding speech intelligibility and excellent music reproduction in any acoustic environment.

The aluminum enclosure and the IP-66 kit make this a highly reliable and durable choice, available in any RAL color.

Q 23 TW

DAS Audio Group, S.L. - C/ Islas Baleares 24 - 46988
Fuente del Jarro - Valencia - Spain - Tel. +34961340860
Updated (DD/MM/YYYY): 25/09/2023



SOUND WITH SOUL

SPECIFICATIONS

Performance

Frequency Range (-10 dB)	150 Hz - 20 kHz
Horizontal Coverage (-6 dB)	120°
Vertical Coverage	Switchable: 90° -70°
Nominal Impedance	8 ohms
Transformer Taps 70 V	5 W - 10 W - 15 W
Transformer Taps 100 V	10 W - 20 W - 30 W
RMS Power Handling	40 W
Peak Power Handling	160 W
On-axis Sensitivity 1W/1 m	90 dB SPL
Maximum Peak SPL at 1 m	112 dB SPL

Recommended Amplifier	INTEGRAL-A402
	INTEGRAL-A404
	INTEGRAL-A1002
	INTEGRAL-A1004
	INTEGRAL-A1602
	INTEGRAL-A1604
	INTEGRAL-MA1004
	INTEGRAL-MA1604

Recommended Processor	INTEGRAL-M88
	INTEGRAL-MA1604
	INTEGRAL-MA1004

Connectors

Audio Input Connector	4-way Phoenix 2.54 mm
-----------------------	-----------------------

Q 23 TW

DAS Audio Group, S.L. - C/ Islas Baleares 24 - 46988
Fuente del Jarro - Valencia - Spain - Tel. +34961340860
Updated (DD/MM/YYYY): 25/09/2023



SOUND WITH SOUL

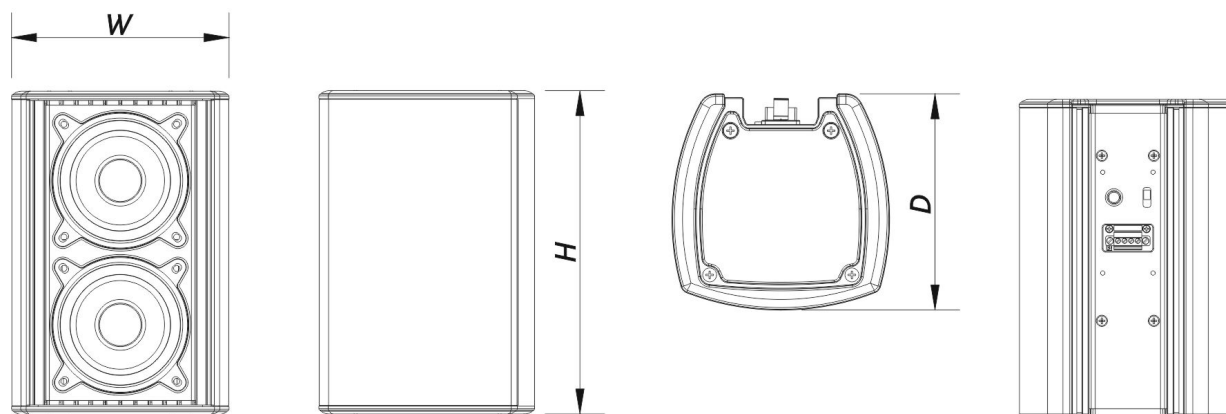
Enclosure

Enclosure Construction	Aluminum
Color	White
IP Rating	IP66
Depth	125 mm (4,9 in)
Dimensions (H x W x D)	190 x 125 x 125 mm 7,5 x 4,9 x 4,9 in
Net Weight	2,8 kg (6,2 lb)

Components

MF Driver	3P16
-----------	------

DIMENSIONS



ORDERING INFORMATION

Model	Description	P/N
System		

Q 23 TW

DAS Audio Group, S.L. - C/ Islas Baleares 24 - 46988
Fuente del Jarro - Valencia - Spain - Tel. +34961340860
Updated (DD/MM/YYYY): 25/09/2023



Q-23-TW

10434020

Replacement Parts

3P16	Cone Transducer	20208712
F-Q-23-T	Filter	20140141
LAMP-F-21	Lamp	30000535

Accessories

AXC-AT2	Installation & Stacking Acc.	10104311
AXC-Q-W	Installation & Stacking Acc.	10105147
AXC-ZT2	Installation & Stacking Acc.	10104325
AXS-Q	Installation & Stacking Acc.	10104178
AXW-4-W	Installation & Stacking Acc.	10104173
AXW-5-W	Installation & Stacking Acc.	10104174
JP-Q-W	Installation & Stacking Acc.	10102974
KIT-IP-Q-W	Installation & Stacking Acc.	10434091

Q 23 TW

DAS Audio Group, S.L. - C/ Islas Baleares 24 - 46988
Fuente del Jarro - Valencia - Spain - Tel. +34961340860
Updated (DD/MM/YYYY): 25/09/2023



SOUND WITH SOUL