



MX415DUAL

Dual-Capsule Gooseneck Microphone

User guide for MX415DUAL.
Version: 0.1 (2021-G)

Table of Contents

MX415DUAL Dual-Capsule Gooseneck Microphone	3	Installation	5
General Description	3	Dimensions	6
Features	3	Accessories	7
Interchangeable Cartridges	3	Specifications	7
Windscreen	4	Certifications	10

MX415DUAL

Dual-Capsule Gooseneck Microphone

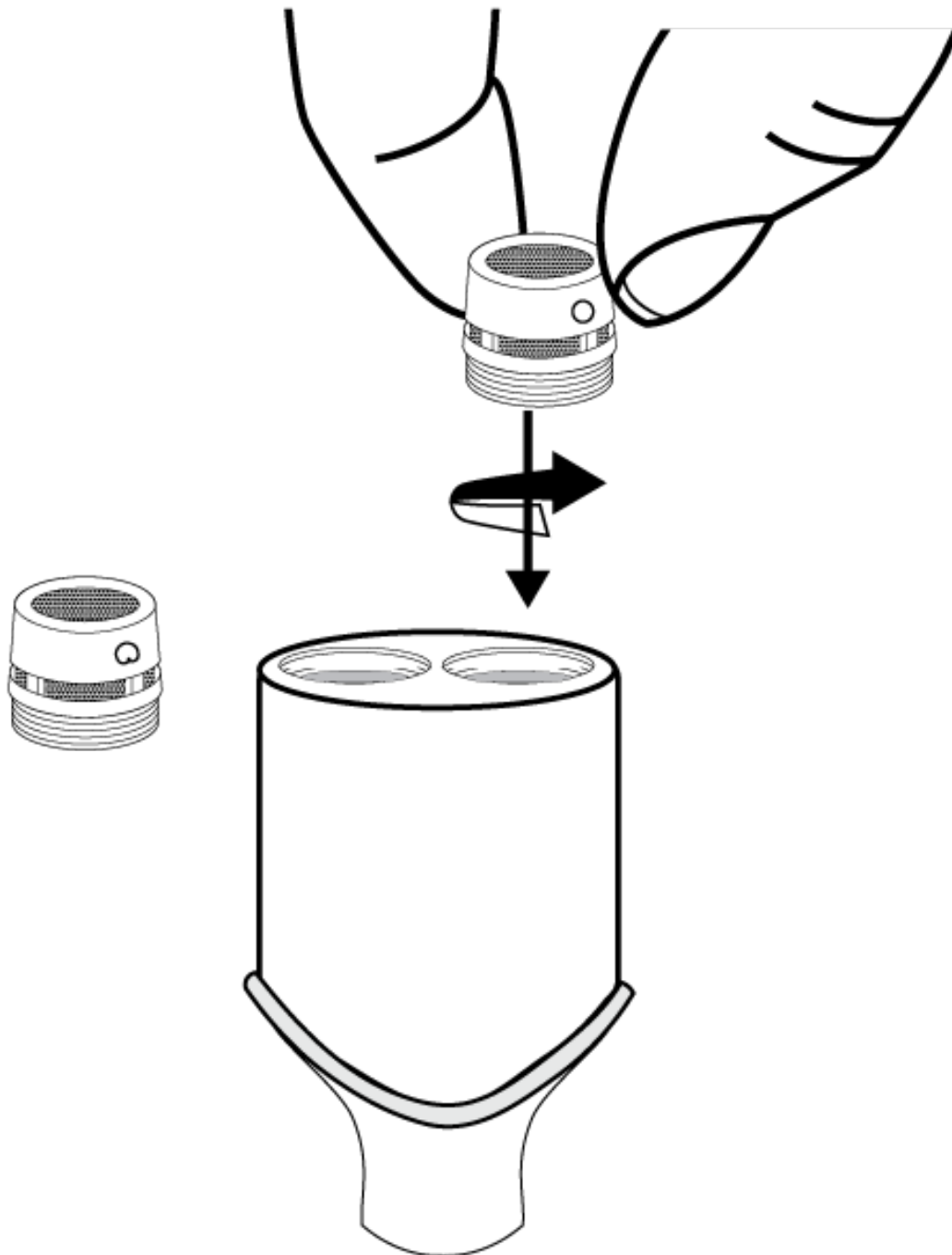
General Description

The Shure Microflex® MX415DUAL dual-capsule gooseneck microphone features two electret condenser cartridges mounted in a single low-profile housing and two preamp-equipped outputs providing redundant audio for critical, multi-feed live sound and professional broadcast applications. With a 15" overall length, the MX415DUAL includes a flexible top gooseneck section for optimal placement, and includes all the mounting accessories required for installation into a lectern or tabletop configuration.

Features

- Wide dynamic range and frequency response for accurate sound reproduction
 - Dual 1 cm cardioid Microflex® interchangeable cartridges
 - Dual 5-foot cables exiting out bottom of mic, terminating in two TQG Connectors
 - Two external in-line preamps
 - Shock mount provides over 20 dB of isolation from surface vibration noise
 - RF filtering with CommShield® technology
-

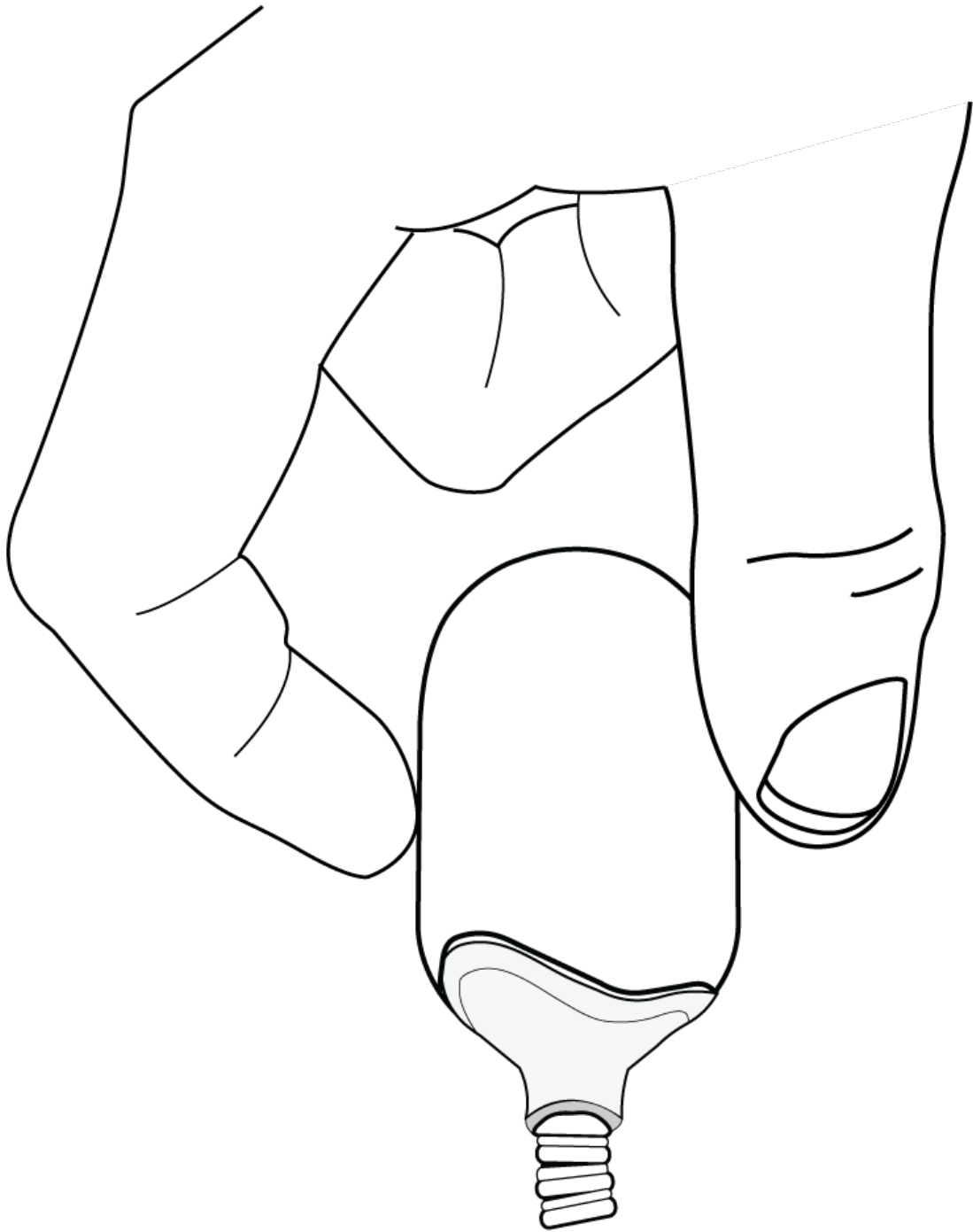
Interchangeable Cartridges



Microflex microphones use interchangeable cartridges that allow you to choose the polar pattern for different installations.

Windscreens

- Snap into place when fully seated.
- To remove, grip under the wider sides of the foam and gently pull.
- Provides "pop" protection of 30 dB for mesh and 40 dB for foam windscreens.



Installation

Mount the microphone using a flange or shock mount.

Important: The dot on the microphone and TQG connector indicates which cartridge is connected to which connector. The included RK100PK phantom-powered preamps converts the TQG connector to an XLR output.

A13HDB Flange:

1. Mark and drill 3 starter holes for the screws using the flange as a template.
2. Secure the flange to the mounting surface with screws.
3. Thread the microphone clip to the flange, then mount the microphone to the clip.

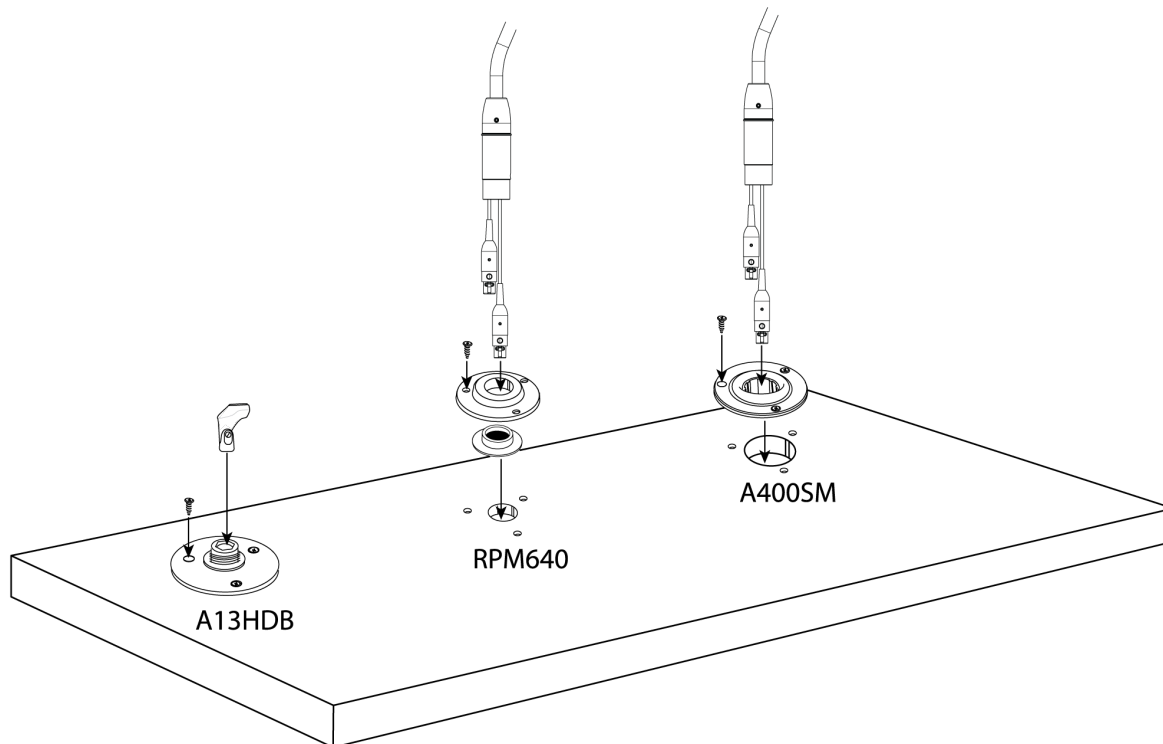
Note: Use the extension tube with the microphone clip and flange if desired.

RPM640 Flange:

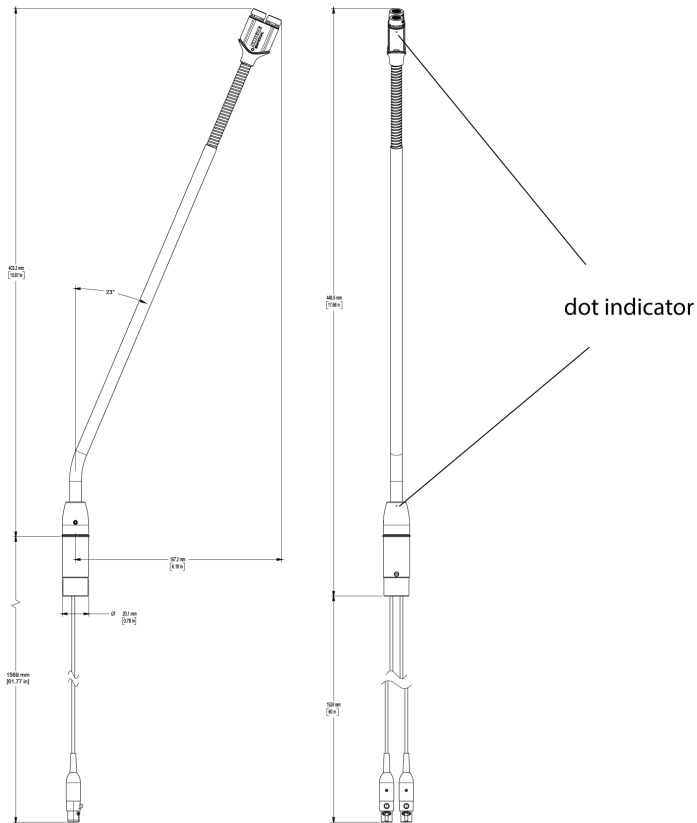
1. Drill a 22 mm (7/8 in.) diameter hole in the mounting surface.
2. Mark and drill 3 starter holes for the screws using the flange as a template.
3. Insert the TQG connectors through the mounting flange.
4. Slide the retaining ring over the bottom of the gooseneck base until is flush to the bottom of the flange, then press the ring firmly into place.
5. Secure the flange to the mounting surface with screws.

A400SM Shock Mount:

1. Drill a 44 mm (1-3/4 in.) diameter hole in the mounting surface.
2. Mark and drill 3 starter holes for the screws using the shock mount as a template.
3. Secure the shock mount to the mounting surface with screws.
4. Insert the TQG connectors through the hole, then insert the microphone base.



Dimensions



Accessories

Mic Swivel Adapter	A57F
Extension Tube	A26X
Cast Mounting Flange	A13HDB
Locking Mounting Flange	RPM640
Shock Mount	A400SM
Inline Preamps (2)	RK100PK
Preamp Mounting Plates (2)	RPM40PREMNT
Retained Foam Windscreen	RK415DWS
Veraflex Windscreen	A415DGWS
Storage Pouch	95E2313

Specifications

Cartridge Type

Electret Condenser

Frequency Response

50–17000 Hz

Polar Pattern

Cardioid

Output Impedance

180 Ω

Output Configuration

Active Balanced

Sensitivity

@ 1 kHz, open circuit voltage

–35 dBV/Pa (18 mV)

Maximum SPL

1 kHz at 1% THD, 1 k Ω load

124 dB

Self Noise

A-weighted

28 dB SPL

Signal-to-Noise Ratio

Ref. 94 dB SPL at 1 kHz

66 dB

Dynamic Range

1 k Ω load, @ 1 kHz

96 dB

Common Mode Rejection

10 Hz to 100 kHz

45 dB, minimum

Clipping Level

at 1% THD

–6 dBV

Polarity

Positive sound pressure on diaphragm produces positive voltage on pin 2 relative to pin 3 of output XLR connector

Weight

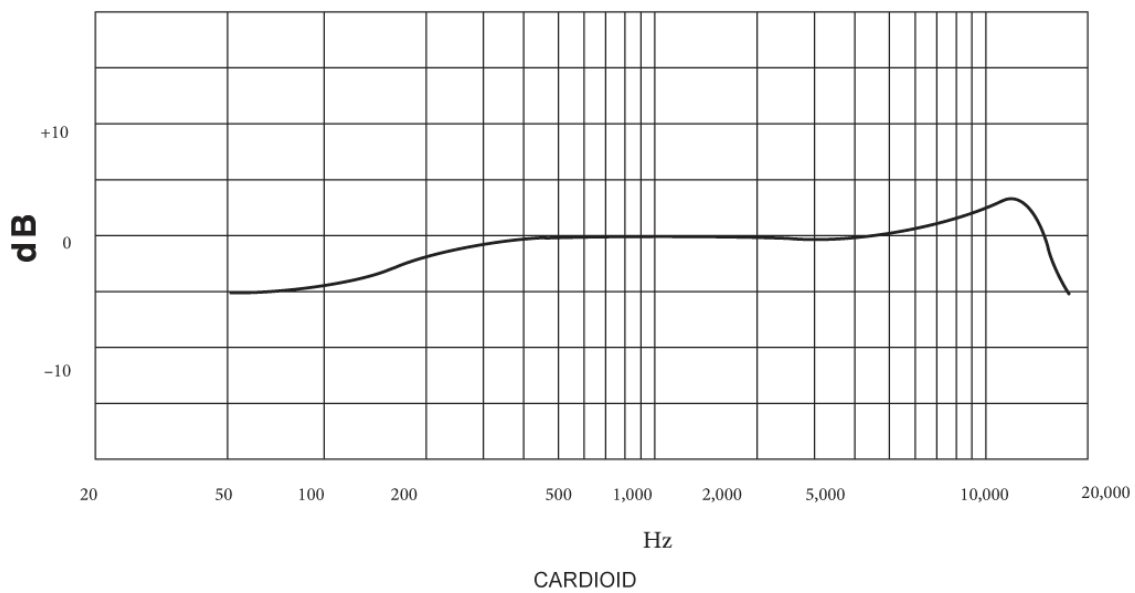
205 g (7.23 oz)

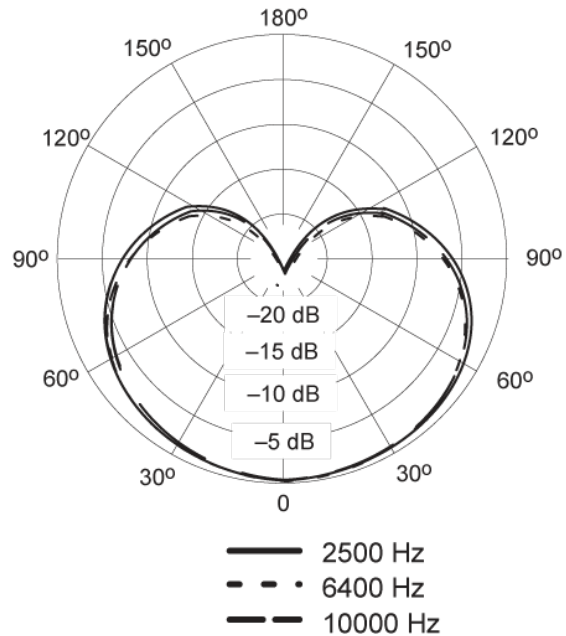
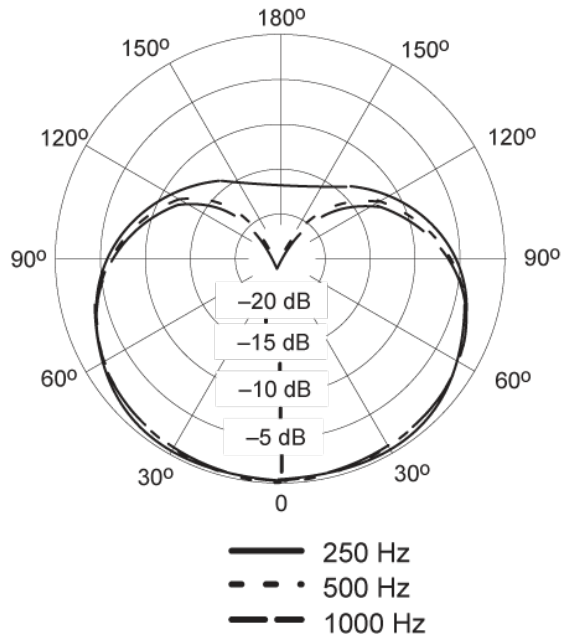
Environmental Conditions

Operating Temperature	-18 – 57°C (0 – 135°F)
Storage Temperature	-29 – 74°C (-20 – 165°F)
Relative Humidity	0 – 95%

Power Requirements

11–52 V DC, 2.0 mA

**TYPICAL FREQUENCY RESPONSE**



CARDIOID

Certifications

Meets essential requirements of all applicable European Directives.

Eligible for CE marking.

The CE Declaration of Conformity can be obtained from Shure Incorporated or any of its European representatives. For contact information please visit www.shure.com

The CE Declaration of Conformity can be obtained from: www.shure.com/europe/compliance

Authorized European representative:

Shure Europe GmbH

Global Compliance

Jakob-Dieffenbacher-Str. 12

75031 Eppingen, Germany

Phone: +49-7262-92 49 0

Email: info@shure.de

www.shure.com