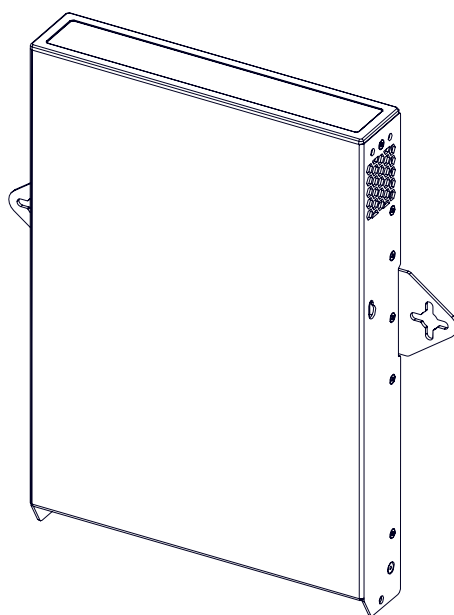
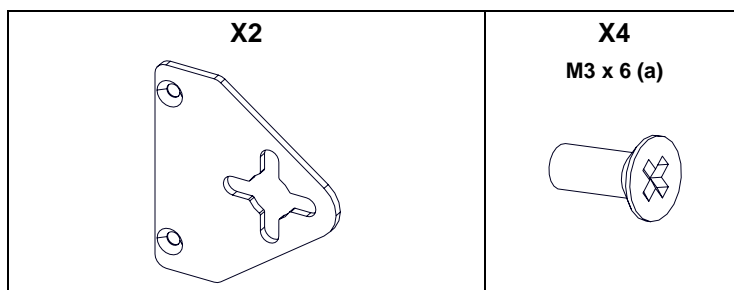


Wall Mount Kit for nanoNXAMP4



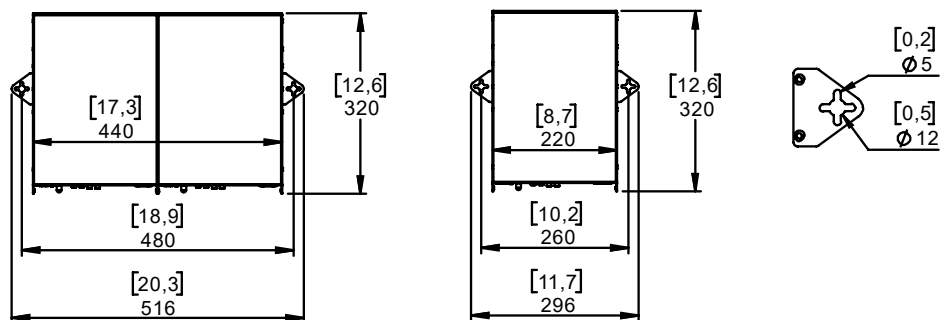
Contents:



(a): The type of the screws may differ from the representation.

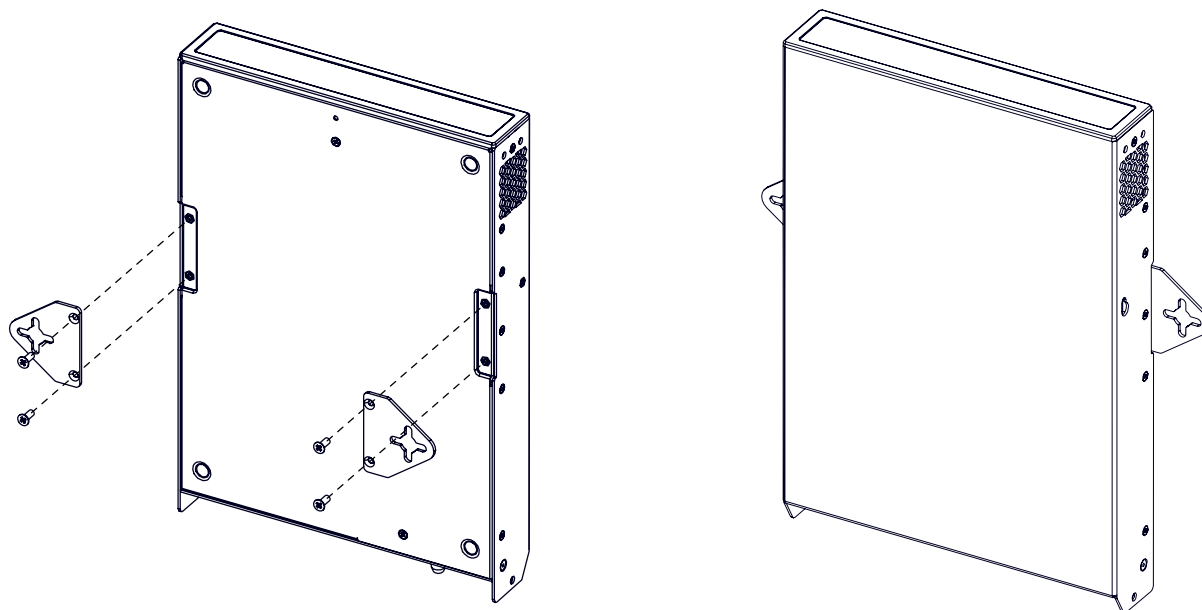
Weight: 0.055 kg / 0.12 lb

Dimensions:



Utilisation

Mount the plates on the underside of the nanoNXAMP4 using the 4 M3x6 screws.
 Fix the assembly on a wall or a ceiling.



- NEXO cannot accept responsibility for accidents caused by any factor other than defects in this product itself.
- Please check the web site nexo-sa.com for the latest update.