

# **PAR Z MOVE RGBW**

## **User Instructions**

©2021 ADJ Products, LLC all rights reserved. Information, specifications, diagrams, images, and instructions herein are subject to change without notice. ADJ Products, LLC logo and identifying product names and numbers herein are trademarks of ADJ Products, LLC. Copyright protection claimed includes all forms and matters of copyrightable materials and information now allowed by statutory or judicial law or hereinafter granted. Product names used in this document may be trademarks or registered trademarks of their respective companies and are hereby acknowledged. All non-ADJ Products, LLC brands and product names are trademarks or registered trademarks of their respective companies.

**ADJ Products, LLC** and all affiliated companies hereby disclaim any and all liabilities for property, equipment, building, and electrical damages, injuries to any persons, and direct or indirect economic loss associated with the use or reliance of any information contained within this document, and/or as a result of the improper, unsafe, insufficient and negligent assembly, installation, rigging, and operation of this product.

### **ADJ PRODUCTS LLC World Headquarters**

6122 S. Eastern Ave. | Los Angeles, CA 90040 USA

Tel: 800-322-6337 | Fax: 323-582-2941 | [www.adj.com](http://www.adj.com) | [lsupport@adj.com](mailto:lsupport@adj.com)

### **ADJ Supply Europe B.V.**

Junostraat 2 | 6468 EW Kerkrade | Netherlands

Tel: +31 45 546 85 00 | Fax: +31 45 546 85 99 | [www.americandj.eu](http://www.americandj.eu) | [service@americandj.eu](mailto:service@americandj.eu)

### Europe Energy Saving Notice

Energy Saving Matters (EuP 2009/125/EC)

Saving electric energy is a key to help protecting the environment. Please turn off all electrical products when they are not in use. To avoid power consumption in idle mode, disconnect all electrical equipment from power when not in use. Thank you!

### DOCUMENT VERSION



Due to additional product features and/or enhancements, an updated version of this document may be available online.

Please check [www.adj.com](http://www.adj.com) for the latest revision/update of this manual before beginning installation and/or programming.

Date	Document Version	Software Version >	DMX Channel Mode	Notes
07/22/19	1	1.0	13/15/16	Initial Version
06/09/21	1.5	N/C	N/C	Updated Dimensions

# CONTENTS

General Information	4
Limited Warranty (USA Only)	5
Safety Guidelines	6
Overview	9
Fixture Installation	10
DMX Set Up	13
DMX Addressing	15
System Menu	16
DMX Traits: Channel Functions & Values	26
Dimmer Mode Chart	27
Power Linking   Cleaning	28
Technical Specifications	29

# **GENERAL INFORMATION**

## **INTRODUCTION**

Please read and understand all instructions in this manual carefully and thoroughly before attempting to operate these products. These instructions contain important safety and use information.

## **UNPACKING**

The products in this kit have been thoroughly tested and have been shipped in perfect operating condition. Carefully check the shipping carton for damage that may have occurred during shipping. If the carton appears to be damaged, carefully inspect each unit included for damage and be sure all accessories necessary to operate the units have arrived intact. In the event damage has been found or parts are missing, please contact our customer support team for further instructions. Please do not return this kit to your dealer without first contacting customer support at the number listed below. Please do not discard the shipping carton in the trash. Please recycle whenever possible.

## **WARRANTY RETURNS**

All returned service items whether under warranty or not, must be freight pre-paid and accompany a return authorization (R.A.) number. The R.A. number must be clearly written on the outside of the return package. A brief description of the problem as well as the R.A. number must also be written down on a piece of paper and included in the shipping container. If the unit is under warranty, you must provide a copy of your proof of purchase invoice. Items returned without a R.A. number clearly marked on the outside of the package will be refused and returned at customer's expense. You may obtain a R.A. number by contacting customer support.

## LIMITED WARRANTY (USA ONLY)

- A. ADJ Products, LLC hereby warrants, to the original purchaser, ADJ Products, LLC products to be free of manufacturing defects in material and workmanship for a prescribed period from the date of purchase (see specific warranty period on reverse). This warranty shall be valid only if the product is purchased within the United States of America, including possessions and territories. It is the owner's responsibility to establish the date and place of purchase by acceptable evidence, at the time service is sought.
- B. For warranty service, you must obtain a Return Authorization number (RA#) before sending back the product-please contact ADJ Products, LLC Service Department at 800-322-6337. Send the product only to the ADJ Products, LLC factory. All shipping charges must be pre-paid. If the requested repairs or service (including parts replacement) are within the terms of this warranty, ADJ Products, LLC will pay return shipping charges only to a designated point within the United States. If the entire instrument is sent, it must be shipped in its original package. No accessories should be shipped with the product. If any accessories are shipped with the product, ADJ Products, LLC shall have no liability whatsoever for loss of or damage to any such accessories, or for the safe return thereof.
- C. This warranty is void if the serial number has been altered or removed; if the product is modified in any manner which ADJ Products, LLC concludes, after inspection, affects the reliability of the product, if the product has been repaired or service by anyone other than ADJ Products, LLC factory unless prior written authorization was issued to purchaser by ADJ Products, LLC; if the product is damaged because not properly maintained as set forth in the instruction manual.
- D. This is not a service contract, and this warranty does not include maintenance, cleaning or periodic check up. During the period specified above, ADJ Products, LLC will replace defective parts at its expense with new or refurbished parts, and will absorb all expenses for warranty service and repair labor by reason of defects in material or workmanship. The sole responsibility of ADJ Products, LLC under this warranty shall be limited to the repair of the product, or replacement thereof, including parts, at the sole discretion of ADJ Products, LLC. All products covered by this warranty were manufactured after August 15, 2012, and bear identifying marks to that effect.
- E. ADJ Products, LLC reserves the right to make changes in design and/or improvements upon its products without any obligation to include these changes in any products theretofore manufactured.
- F. No warranty, whether expressed or implied, is given or made with respect to any accessory supplied with products described above. Except to the extent prohibited by applicable law, all implied warranties made by ADJ Products, LLC in connection with this product, including warranties of merchantability or fitness, are limited in duration to the warranty period set forth above. And no warranties, whether expressed or implied, including warranties of merchantability or fitness, shall apply to this product after said period has expired. The consumer's and/or Dealer's sole remedy shall be such repair or replacement as is expressly provided above; and under no circumstances shall ADJ Products, LLC be liable for any loss or damage, direct or consequential, arising out of the use of, or inability to use, this product.
- G. This warranty is the only written warranty applicable to ADJ Products, LLC Products and supersedes all prior warranties and written descriptions of warranty terms and conditions heretofore published.

### LIMITED WARRANTY PERIODS

- **Non L.E.D. Lighting Products = 1-year (365 days) Limited Warranty** (Such as: Special Effect Lighting, Intelligent Lighting, UV lighting, Strobes, Fog Machines, Bubble Machines, Mirror Balls, Par Cans, Trussing, Lighting Stands etc. excluding LED and lamps)
- **Laser Products = 1 Year (365 Days) Limited Warranty** (excludes laser diodes which have 6 month limited warranty)
- **L.E.D. Products = 2-year (730 days) Limited Warranty** (excluding batteries which have a 180 day limited warranty)  
Note: 2 Year Warranty only applies to purchases within the United States.
- **StarTec Series = 1 Year Limited Warranty** (excluding batteries which have a 180 day limited warranty)
- **ADJ DMX Controllers = 2 Year (730 Days) Limited Warranty**

# SAFETY GUIDELINES

To guarantee a smooth operation, it is important to follow all instructions and guidelines in this manual. ADJ Products, LLC is not responsible for injury and/or damages resulting from the misuse of this fixture due to the disregard of the information printed in this manual. Only qualified and/or certified personnel should perform installation of this fixture and only the original rigging parts included with this fixture should be used for installation. Any modifications to the fixture and/or the included mounting hardware will void the original manufactures warranty and increase the risk of damage and/or personal injury.



## **PROTECTION CLASS 1 - FIXTURE MUST BE PROPERLY GROUNDED**



**THERE ARE NO USER SERVICEABLE PARTS INSIDE THIS UNIT. DO NOT ATTEMPT ANY REPAIRS YOURSELF; DOING SO WILL VOID YOUR MANUFACTURES WARRANTY. DAMAGES RESULTING FROM MODIFICATIONS TO THIS FIXTURE AND/OR THE DISREGARD OF SAFETY INSTRUCTIONS AND GUIDELINES IN THIS MANUAL VOID THE MANUFACTURES WARRANTY AND ARE NOT SUBJECT TO ANY WARRANTY CLAIMS AND/OR REPAIRS.**



**DO NOT PLUG FIXTURE INTO A DIMMER PACK!  
NEVER OPEN THIS FIXTURE WHILE IN USE!  
UNPLUG POWER BEFORE SERVICING FIXTURE!  
NEVER TOUCH FIXTURE DURING OPERATION AS IT MAY BE HOT!**

**Maximum ambient temperature is  $T_a$ : 40°C. DO NOT operate it where the temperature is higher than this. Unit surface temperature may reach up to 75°C. DO NOT touch the housing bare-hand during its operation. Turn off the power and allow about 15 minutes for the unit to cool down before replacing or serving.**

**KEEP FLAMMABLE MATERIALS AWAY FROM FIXTURE!**



**ENSURE ALL CONNECTIONS AND END CAPS ARE PROPERLY SEALED WITH A DIELECTRIC GREASE (AVAILABLE AT MOST ELECTRICAL SUPPLIERS) TO PREVENT WATER CORROSION AND/OR ELECTRICAL SHORT CIRCUIT.**



**IF THE FIXTURE IS EXPOSED TO ENVIRONMENTAL TEMPERATURE CHANGES SUCH AS RELOCATION FROM AN OUTDOOR COLD TO AN INDOOR WARM ENVIRONMENT, DO NOT POWER THE FIXTURE ON IMMEDIATELY. INTERNAL CONDENSATION AS A RESULT OF ENVIRONMENTAL TEMPERATURE CHANGE CAN CAUSE INTERNAL FIXTURE DAMAGE. LEAVE THE FIXTURE POWERED OFF UNTIL IT HAS REACHED ROOM TEMPERATURE BEFORE POWERING ON.**



**NEVER LOOK DIRECTLY INTO THE LIGHT SOURCE! RETINA INJURY RISK - MAY INDUCE BLINDNESS! SENSITIVE PERSONS MAY SUFFER AN EPILEPTIC SHOCK!  
THIS IS A RISK GROUP 3 (HIGH RISK) PRODUCT ACCORDING TO EN 62471 AND IEC/TR 62778. THE LUMINAIRE SHOULD BE POSITIONED 63 METERS OR MORE FROM THE OUTPUT OF THE FIXTURE TO REDUCE OR ELIMINATE EXPOSURE.**

# SAFETY GUIDELINES

**DO NOT TOUCH** the fixture housing during operation. Turn OFF the power and allow approximately 15 minutes for the fixture to cool down before servicing.

**DO NOT** shake fixture; avoid brute force when installing and/or operating fixture.

**DO NOT** operate fixture if the power cord has become frayed, crimped, damaged and/or if any of the power cord connectors are damaged and do not insert into the fixture securely with ease.

**NEVER** force a power cord connector into the fixture. If the power cord or any of its connectors are damaged, replace it immediately with a new one of similar power rating.

**DO NOT** block any air ventilation slots; these must remain clean and never blocked. Allow approx. 7.9” (20cm) between fixture and other devices or a wall for proper cooling.

When installing fixture in a suspended environment, always use mounting hardware that is no less than M10 x 25 mm, and always attach an appropriately rated safety cable.

**ALWAYS** disconnect fixture from main power source before performing any type of service and/or cleaning procedure. Only handle the power cord by the plug end; never pull out the plug by tugging the wire portion of the cord.

During the initial operation of this fixture, a light smoke or smell may emit from the interior of the fixture. This is a normal process and is caused by excess paint in the interior of the casing burning off from the heat associated with the lamp and will decrease gradually over time.

Consistent operational breaks will ensure fixture will function properly for many years. **ONLY** use the original packaging and materials to transport the fixture in for service.

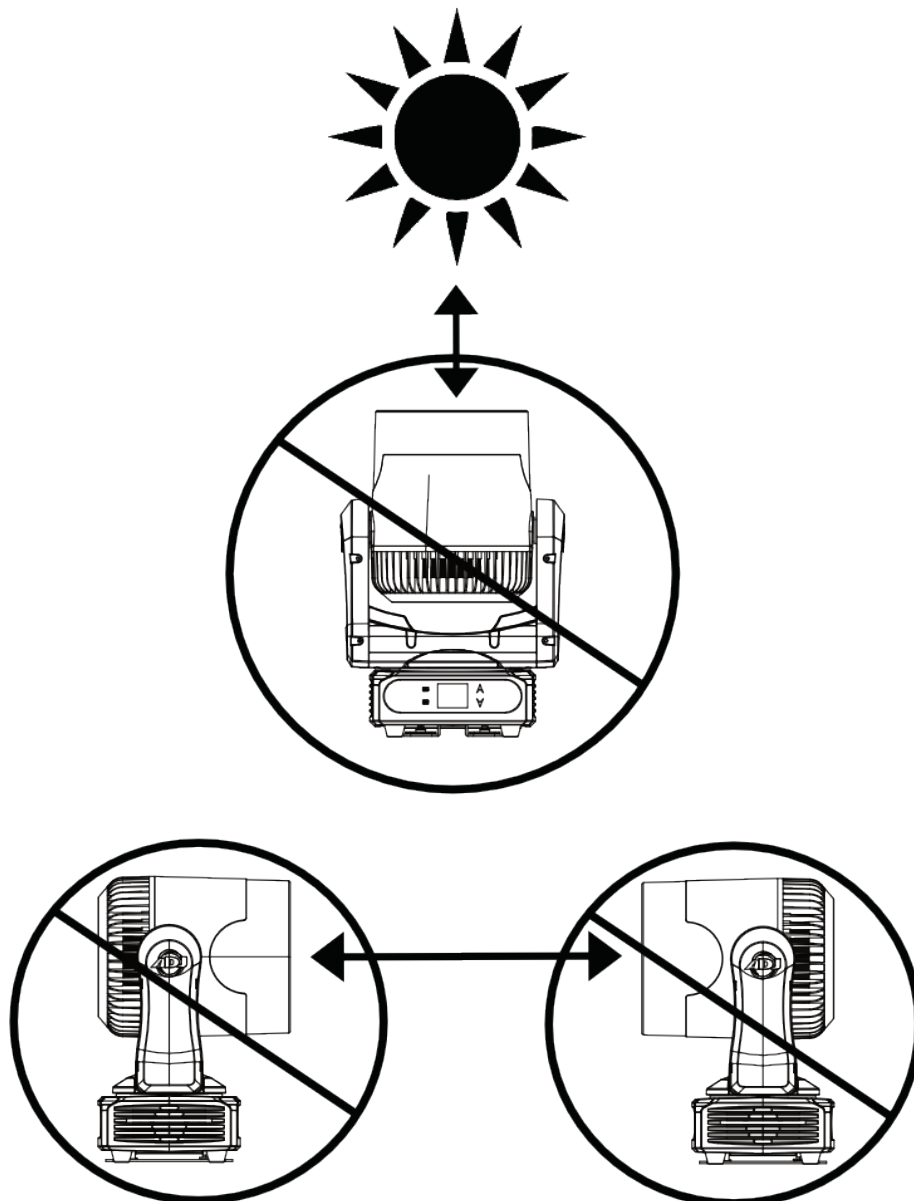
# SAFETY GUIDELINES

## POTENTIAL INTERNAL FIXTURE DAMAGE FROM EXTERNAL SOURCES OF LIGHT BEAMS

External sources of light beams from direct sunlight, lighting moving head fixtures, and lasers, which are focused directly towards the exterior housing and/or penetrate the front lens opening of ADJ lighting fixtures, can cause severe internal damage including burning to optics, dichroic color filters, glass and metal gobos, prisms, animation wheels, frost filters, iris, shutters, motors, belts, wiring, discharge lamps, and LEDs.

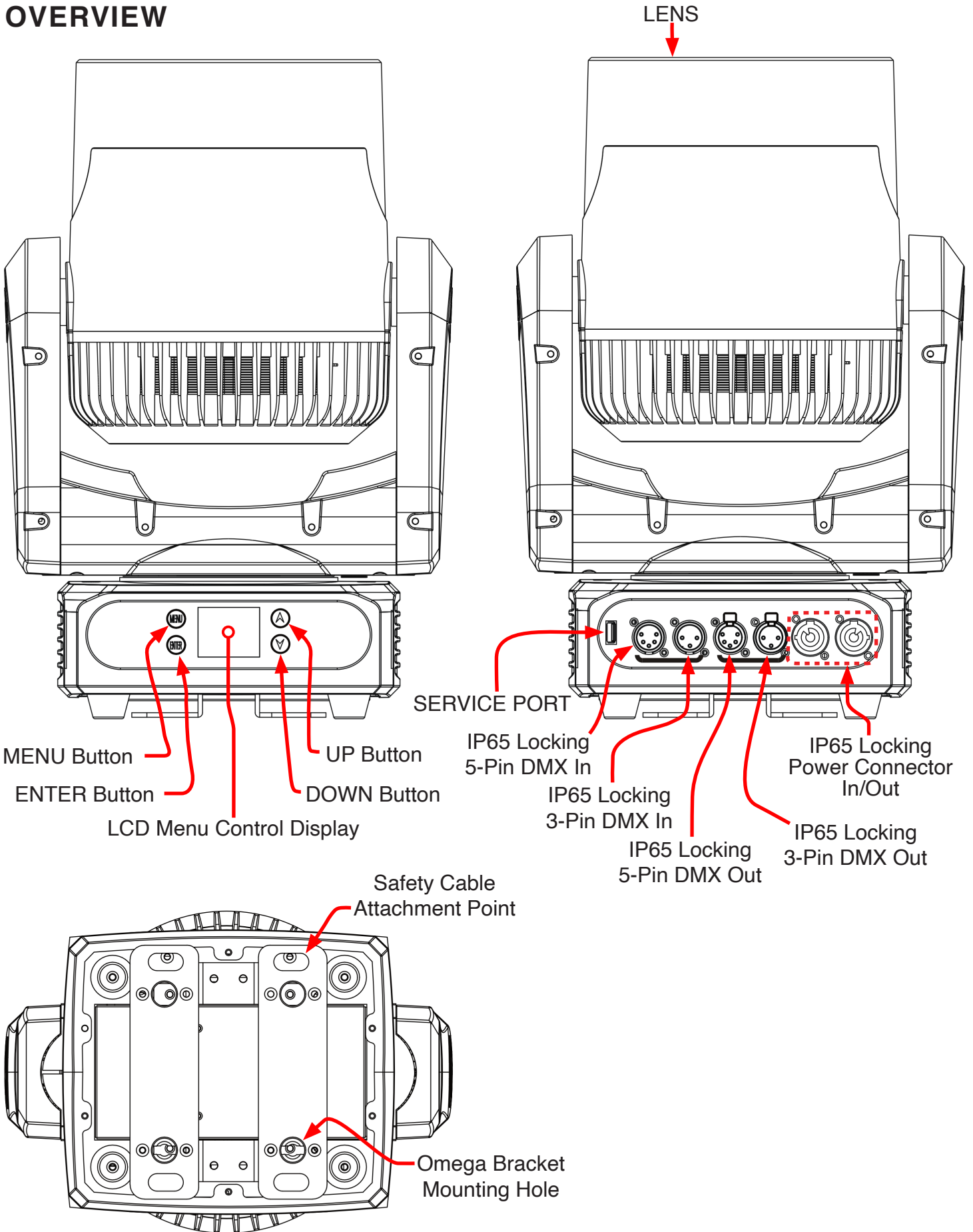
This issue is not specific only to ADJ lighting fixtures, it is a common issue with lighting fixtures from all manufacturers. Although there is no true way to fully prevent this issue from happening, the guidelines below can prevent any potential damage from occurring if followed. Contact ADJ Service for more details.

**DO NOT EXPOSE THE FIXTURE AND/OR FRONT LENS OPENING TO LIGHT BEAMS FROM DIRECT SUNLIGHT, OTHER LIGHTING MOVING HEAD FIXTURES, AND LASERS WHILE UNPACKING, INSTALLATION, USE, AND EXTENDED IDLE TIMES OUTDOORS.**  
**DO NOT FOCUS A LIGHT BEAM FROM ONE LIGHTING FIXTURE DIRECTLY TOWARDS ANOTHER.**





# OVERVIEW



## FIXTURE INSTALLATION



### FLAMMABLE MATERIAL WARNING

Keep fixture at least 7.9in. (0.2m) away from any flammable materials, decorations, pyrotechnics, etc.



### ELECTRICAL CONNECTIONS

A qualified electrician should be used for all electrical connections and/or installations.



**MINIMUM DISTANCE TO OBJECTS/SURFACES MUST BE 40 FEET (12 METERS)**



**MAXIMUM TEMPERATURE OF EXTERNAL SURFACE 167°F (75°C)**

### DO NOT INSTALL THE FIXTURE IF YOU ARE NOT QUALIFIED TO DO SO!

Fixture **MUST** be installed following all local, national, and country commercial electrical and construction codes and regulations. Before rigging/mounting the fixture to any metal truss/structure or placing the fixture on any surface, a professional equipment installer **MUST** be consulted to determine if the metal truss/structure or surface is properly certified to safely hold the combined weight of the fixture, clamps, cables, and accessories.

Overhead fixture installation must always be secured with a secondary safety attachment, such as an appropriately rated safety cable that meets all local, national, and country codes and regulations.

Fixture ambient operating temperature range is **-4°F to 104°F. (-20°C to 40°C)** Do not use this fixture outside this temperature range.

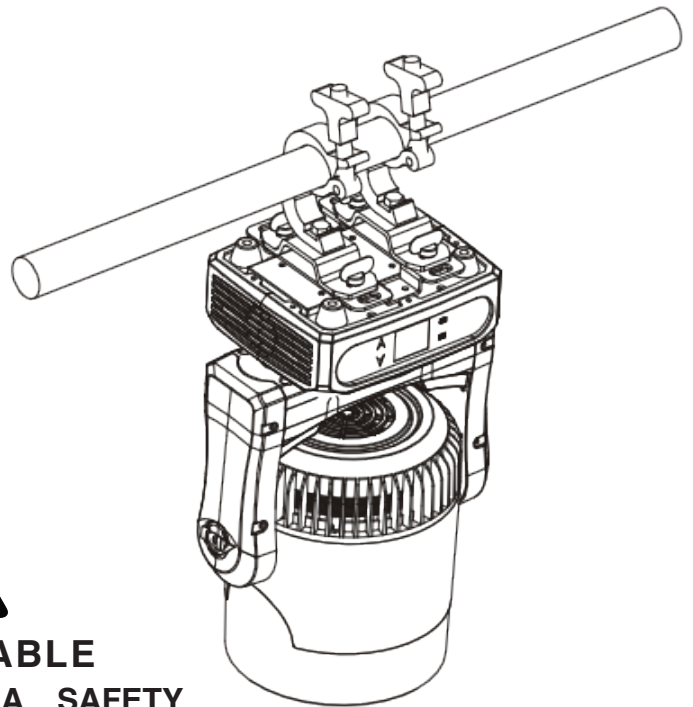
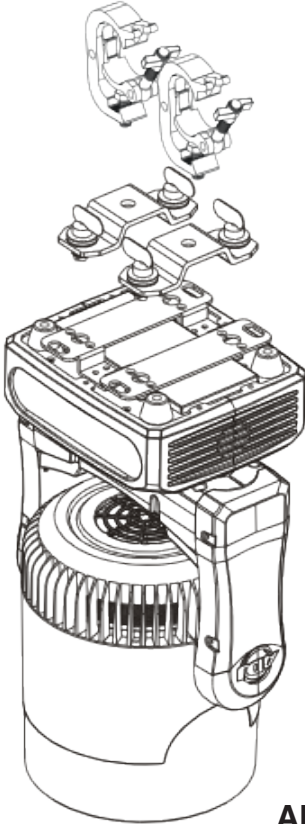
Fixture should be installed in areas outside walking paths, seating areas, or away from areas where unauthorized personnel might reach the fixture by hand.

**NEVER** stand directly below the fixture when rigging, removing, or servicing.

Allow approximately 15-minutes for the fixture to cool down before servicing.

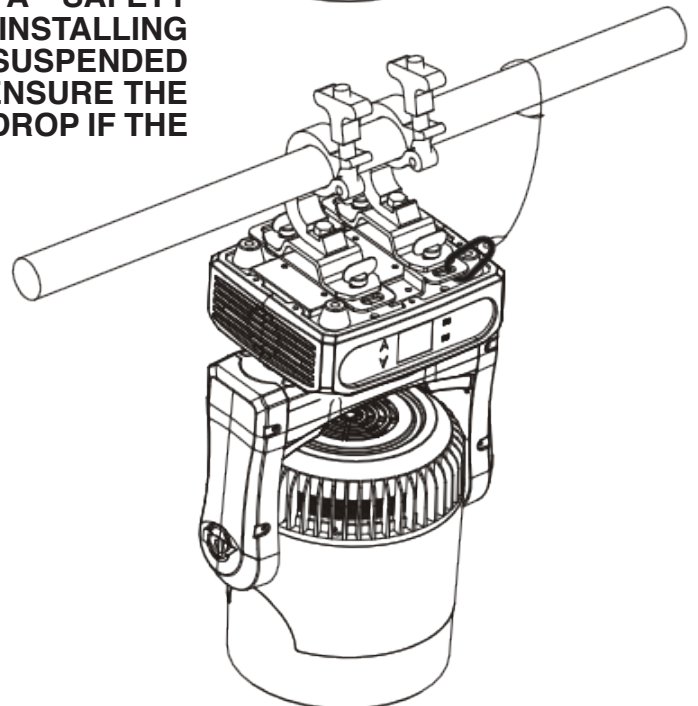
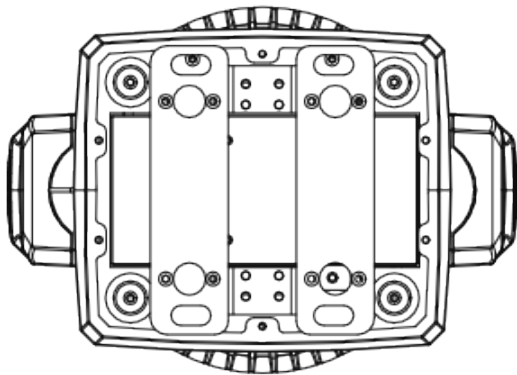
# INSTALLATION

Screw one clamp each via a M12 screw and nut into the Omega brackets. Insert the quick-lock fasteners of the Omega brackets into the respective holes on the bottom of the Par Z Move RGBW. Tighten the quick-lock fasteners fully clockwise. Pull a safety cable through the safety cable attachment points located on the base plate and over the trussing system or a safe fixation spot. Insert the end in the carabiner and tighten the safety screw.



## **\*SAFETY CABLE**

**ALWAYS ATTACH A SAFETY CABLE WHENEVER INSTALLING THIS FIXTURE IN A SUSPENDED ENVIRONMENT TO ENSURE THE FIXTURE WILL NOT DROP IF THE CLAMP FAILS.**

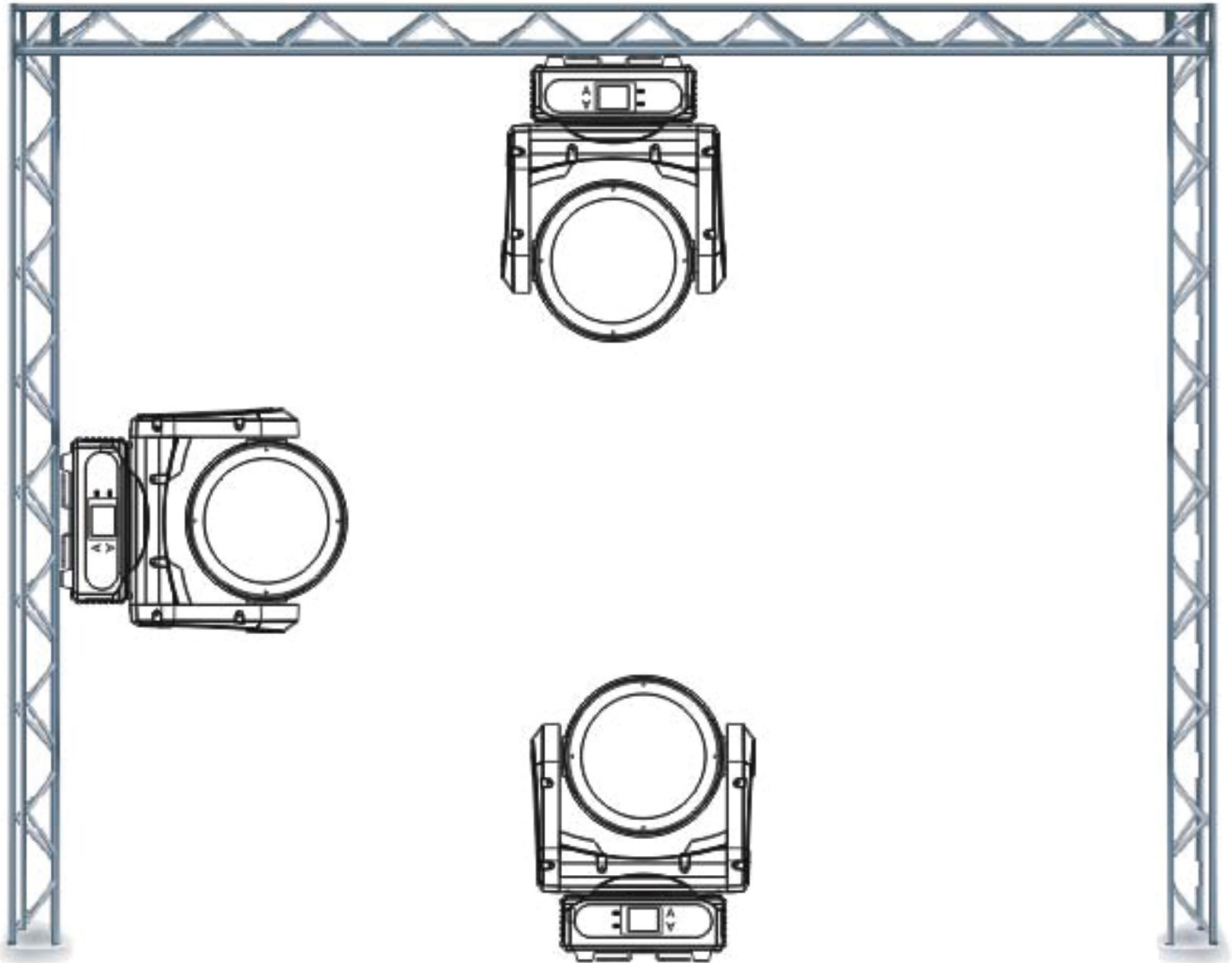


## INSTALLATION

When installing the unit, the trussing or area of installation must be able to hold 10 times the weight without any deformation. When installing, the unit must be secured with a secondary safety attachment, e.g. and appropriate safety cable. Never stand directly below the unit when mounting, removing, or servicing the unit.

Overhead mounting requires extensive experience, including calculating working load limits, installation material being used, and periodic safety inspection of all installation material and unit. If you lack these qualifications, do not attempt the installation yourself. Installations should be checked by a skilled person once a year.

The Par Z Move RGBW is fully operational in three different mounting positions, hanging upside-down from a ceiling or trussing, sideways on trussing, or set on a flat level surface. Be sure this fixture is kept at least 12m (40ft) away from any flammable materials (decoration etc.). Always use and install the supplied safety cable as a safety measure to prevent accidental damage and/or injury in the event the clamp fails. Never use the carrying handles for secondary attachment.





# DMX SETUP

**Special Note: Line Termination.** When longer runs of cable are used, you may need to use a terminator on the last unit to avoid erratic behavior. A terminator is a 110-120 ohm 1/4 watt resistor which is connected between pins 2 and 3 of a male XLR connector (DATA + and DATA -). This unit is inserted in the female XLR connector of the last unit in your daisy chain to terminate the line. Using a cable terminator (ADJ part number Z-DMX/T) will decrease the possibilities of erratic behavior.



Termination reduces signal errors and avoids signal transmission problems and interference. It is always advisable to connect a DMX terminal, (Resistance 120 Ohm 1/4 W) between PIN 2 (DMX-) and PIN 3 (DMX +) of the last fixture.

**5-Pin XLR DMX Connectors.** Some manufactures use 5-pin DMX-512 data cables for DATA transmission in place of 3-pin. 5-pin DMX fixtures may be implemented in a 3-pin DMX line. When inserting standard 5-pin data cables in to a 3-pin line a cable adapter must be used, these adapters are readily available at most electric stores. The chart below details a proper cable conversion.

3-Pin XLR to 5-Pin XLR Conversion		
Conductor	3-Pin XLR Female (Out)	5-Pin XLR Male (In)
Ground/Shield	Pin 1	Pin 1
Data Compliant (- signal)	Pin 2	Pin 2
Data True (+ signal)	Pin 3	Pin 3
Not Used		Do Not Use
Not Used		Do Not Use

## DMX ADDRESSING

All fixtures should be given a DMX starting address when using a DMX controller, so the correct fixture responds to the correct control signal. This digital starting address is the channel number from which the fixture starts to “listen” to the digital control signal sent out from the DMX controller. The assignment of this starting DMX address is achieved by setting the correct DMX address on the digital control display on the fixture.

You can set the same starting address for all fixtures or a group of fixtures, or set different addresses for each individual fixture. Setting all fixtures to the same DMX address will cause all fixtures to react in the same way, in other words, changing the settings of one channel will affect all the fixtures simultaneously.

If you set each fixture to a different DMX address, each unit will start to “listen” to the channel number you have set, based on the quantity of DMX channels of each fixture. That means changing the settings of one channel will only affect the selected fixture.

In the case of the Par Z Move RGBW, when in 7 channel mode you should set the starting DMX address of the first unit to 1, the second unit to 8 (7 + 1), the third unit to 15 (8 + 7), and so on.

Channel Mode	Unit 1 Address	Unit 2 Address	Unit 3 Address	Unit 4 Address
13 Channels	1	14	27	40
15 Channels	1	16	31	46
16 Channels	1	17	33	49

## SYSTEM MENU

The fixture includes an easy to navigate system menu control panel display where all necessary settings and adjustments are made. During normal operation, pressing the **MODE** button once will access the fixture's main menu. Once in the main menu, you can navigate through the different menus and the sub-menus with the **UP** and **DOWN** buttons. When you reach a field that requires adjusting, press the **ENTER** button to access that field and use the **UP** or **DOWN** buttons to adjust the field. Pressing the **ENTER** button once more to confirm your setting. You may exit the main menu at any time without making any adjustments by pressing the **MODE** button.





# SYSTEM MENU

Menu	Submenu	Options	Description
DMX	DMX Address	001-512	DMX Addressing
	DMX CH Mode	13CH / <b>15CH</b> / 16CH	DMX Channel Mode Selection
	No DMX Status	<b>Hold Last</b> / Blackout / Manual	DMX Lost Status
Personality	Status Settings	Pan Invert: ON / <b>OFF</b>	Reverse Pan Motion
		Tilt Invert: ON / <b>OFF</b>	Reverse Tilt Motion
		P/T Feedback: <b>ON</b> / OFF	Pan/Tilt Movement Feedback
		P/T Speed: <b>Speed 1</b> / Speed 2	Pan/Tilt Movement Speed
		Hibernation: Off / 01M ~ 99M / <b>15M</b>	Sleep Setting (No Activity)
	Fan Settings	Head: <b>Auto</b> / High / Silent (Low)	Fan Speed Setting
	Dim Modes	<b>Standard</b> /Stage/TV/Architectural/Theatre/Stage2 Dim Speed 0.1S~10S	Dimming Curve Modes Dimming Speed
	LED Refresh Rate	900Hz/1000Hz/1100Hz/ <b>1200Hz</b> /1300Hz/1400Hz /1500Hz	LED Refresh Setting
	Gamma	1.0/ <b>2.0</b> /2.2/2.4/2.6/2.8	Gamma Brightness
	Reset Motors	All: YES / <b>NO</b>	Reset All Motors
		Pan/Tilt: YES / <b>NO</b>	Reset the Pan & Tilt Motors
		Zoom: YES / <b>NO</b>	Reset the Zoom Motor
	Display	Intensity: 1~ <b>10</b> (Dimmest-Brightest)	Display Inversion
		Display Invert: YES / <b>NO</b>	Display Inversion
		Screen Savor Delay: OFF~10M	Display Shutoff Time
		Display Lock: <b>ON</b> / OFF	Display Control Lock
	Service (Pass Code = 50)	Effect Adjust: Pan/Tilt/Zoom (-128~127)	Calibration
		USB Port Power: ON / <b>OFF</b>	USB Port Activation
		Update Software: YES / <b>NO</b>	Software Update
		Factory Restore: YES / <b>NO</b> (Pass Code = 011)	Restore Factory Settings
Manual Control	Pan	000~255	Manual Control Settings
	Pan Fine	000~255	
	Tilt	000~255	
	Tilt Fine	000~255	
	Red	000~255	
	Green	000~255	
	Blue	000~255	
	White	000~255	
	White CT	000~255	
	Shutter	000~255	
	Dimmer	000~255	
	Dimmer Fine	000~255	
	Zoom	000~255	
	Pan/Tilt Speed	000~255	
	Special Functions	000~255	

# SYSTEM MENU

Menu	Submenu	Options	Description	
Information	Fixture Life Time	Power On Time - XXXXXX Hours	Total Running Time (Not Resettable)	
		P-On Time-R - XXXXXX Hours	Total Running Time (Resettable)	
		P-On Time Reset - YES/ON (Pass Code = 50)	Reset Total Running Time	
	Total LED Time	LED On Time - XXXXXX Hours	Total LED On Running Time (Not Ressetable)	
		LED On Time-R - XXXXXX Hours	LED On Running Time (Resettable)	
		LED Time Reset - YES/NO (Pass Code = 50)	Reset LED Running Time	
	Fixture Temps	LEDs	Current - XXX°	Current Temperature
			Max. Resettable - XXX°	Maximum Temperature <sup>(1)</sup> Reached (Resettable) (See Note 1 below)
			Max. Not Resettable - XXX°	Maximum Temperature <sup>(2)</sup> Reached (Not Resettable) (See Note 2 below)
		Reset LED Temp (Pass Code = 50)	Reset Temperature	
	Fan Info. (RPM)	Base_Fan - XXX	Base Fan Speed	
		LED_Fan - XXX	LED Fan Speed	
	DMX Values <sup>(3)</sup>	Pan, Pan Fine, Tilt, Tilt Fine, Red, Green, Blue, White, V W CT <sup>(4)</sup> , Shutter, Dimmer, Dimmer Fine, Zoom, Dim. Mode, P/T Sp., Spe. Func	Current DMX Values	
	Error Logs	Fixture Errors	List of Errors (One by One)	
		Reset Error Log - Pass Code = 50	Clear the Error Log	
	Max. Temp LED ON	68~174°F, <b>113°F</b> <sup>(5)</sup> , 20~79°C, <b>45°C</b> <sup>(5)</sup>	Fixture Temp. (LED On)	
High Temp LED OFF	176~282°F, <b>266°F</b> <sup>(6)</sup> , 80~139°C, <b>130°C</b> <sup>(6)</sup> (See Note 5 below)	Fixture Temp. (LED Off)		
Software Version	X.XX	Current Software Version		

## NOTES:

- (1) Current Maximum Temperature - Maximum fixture temperature that has been recorded, before reset and after reset.
- (2) Maximum Temperature - Overall maximum fixture temperature that has been recorded. (Not Resettable).
- (3) DMX Value options depend on the DMX Channel mode the fixture is set to.
- (4) V W CT = Variable White Color Temperature
- (5) Max Temp LED ON - Normal Operating Temperature
- (6) Max Temp LED OFF - Normal Operating Temperature

# SYSTEM MENU

**ACCESS THE MAIN MENU BY PRESSING THE MENU BUTTON FOR AT LEAST 5 SECONDS.**

**DMX SETTINGS** - The submenus listed under **DMX SETTINGS** are as follows: **DMX Address**, **DMX Channel Mode**, and **No DMX Status**.

- **DMX ADDRESS** - In this submenu you can find and set your desired DMX address.
- **DMX CHANNEL MODE** - In this submenu you can find and set your desired DMX channel mode.
- **NO DMX STATUS** - This submenu setting is used as a precaution mode in case the DMX signal is lost or interrupted. The operating mode chosen in this submenu is the running mode the fixture will go into when the DMX signal is lost. Listed below are the 3 modes.
  - **Hold Last** - This setting will have the fixture stay in the last DMX setup.
  - **Blackout** - This setting will have the fixture automatically go into stand by mode.
  - **Manual** - This setting will go into the current manual control set up.

**PERSONALITY** - The submenus listed under **PERSONALITY** are as follows: **Status Settings**, **Fan Settings**, **Dim Modes**, **LED Refresh Rate**, **Gamma**, **Reset Motors**, **Display**, and **Service**.

- **STATUS SETTINGS** - In this submenu you are able to access and adjust/change: Pan Invert, Tilt Invert, P./T. Feedback, P./T. Speed, and Hibernation.
- **FAN SETTINGS** - In this submenu you are able to select your desired fan speed setting.
- **DIM MODES** - In this submenu you are able to select your desired dimmer mode and adjust the dimming speed time.
- **LED REFRESH RATE** - In this submenu you are able to select your desired LED refresh rate.
- **GAMMA** - In this submenu you are able to select your desired gamma setting.
- **RESET MOTORS** - In this submenu you are able to reset selected motors.
- **DISPLAY** - In this submenu you you are able to adjust the display intensity, display inversion, activate the display blackout, and activate/deactivate the display lock.
- **SERVICE** - In this submenu you are able to access: the calibration (effect adjust), activate the service port, update software, and restore the factory settings.

**MANUAL CONTROL** - This menu is for manual testing and manual control. Pan, tilt, color wheel, shutter, dimmer, zoom, pan/tilt speed, and LED refresh rate can all be tested/adjusted.

**NOTE: NO DMX STATUS must be set to “Manual” when using Manual Control.**

# SYSTEM MENU

**INFORMATION** - The submenus listed under **INFORMATION** are as follows: **Fixture Life Time, Total LED Time, Fixture Temps, Fan Info. (RPM), DMX Values, Error Logs, and Software Version.**

- **FIXTURE LIFE TIME**

- **Power On Time** -The **TOTAL** power ON running time of the unit is displayed. This time **CANNOT** be reset.
- **P-On Time-R** - The **CURRENT** power ON running time of the unit is displayed. This running time may not be the same as the total power ON running time displayed under “**Power On Time**”. This time **CAN** be reset. **NOTE: The displayed time represents the current power ON time since the last reset.**
- **P-On Time-Reset** - Reset the **CURRENT** power ON running time that is displayed under “**P-On Time-R**”.

- **TOTAL LED TIME**

- **LED On Time** - The **TOTAL** LED ON time is displayed. This total LED ON time **CANNOT** be reset. **NOTE: The displayed time represents the TOTAL LED ON time.**
- **LED On Time-R** - The **CURRENT** LED ON running time is displayed. This running time may not be the same as the total LED ON time displayed under “**LED On Time**”. This total LED ON time **CAN** be reset. **NOTE: The displayed time represents the CURRENT LED ON time since the last reset.**
- **LED On Time Reset** - With this function you can reset the **CURRENT** LED ON time that is displayed under “**LED On Time-R**”.

- **FIXTURE TEMPS**

- **LED** - The current temperature of the LED is displayed.
- **Reset LED Temp** - Reset the LED temperature reading.

- **FAN INFO. (RPM)** - In this submenu the current fan speed will be displayed.

- **DMX VALUES** - Displays the DMX values of any DMX channel that is currently in use. **NOTE: DMX value options depend on the current DMX channel mode setting.**

- **ERROR LOGS** - In this submenu you are able to check any unit errors as well a clearing the error log.

- **MAX TEMP LED ON** - In this submenu you are able to check the normal operating temperatures as well as the current temperature of the fixture. **NOTE: This reflects the temperature of the fixture when the LED is On.**

- **HIGH TEMP LED OFF** - In this submenu you are able to check the normal operating temperatures as well as the current temperature of the fixture. **NOTE: This reflects the temperature of the fixture when the LED is Off.**

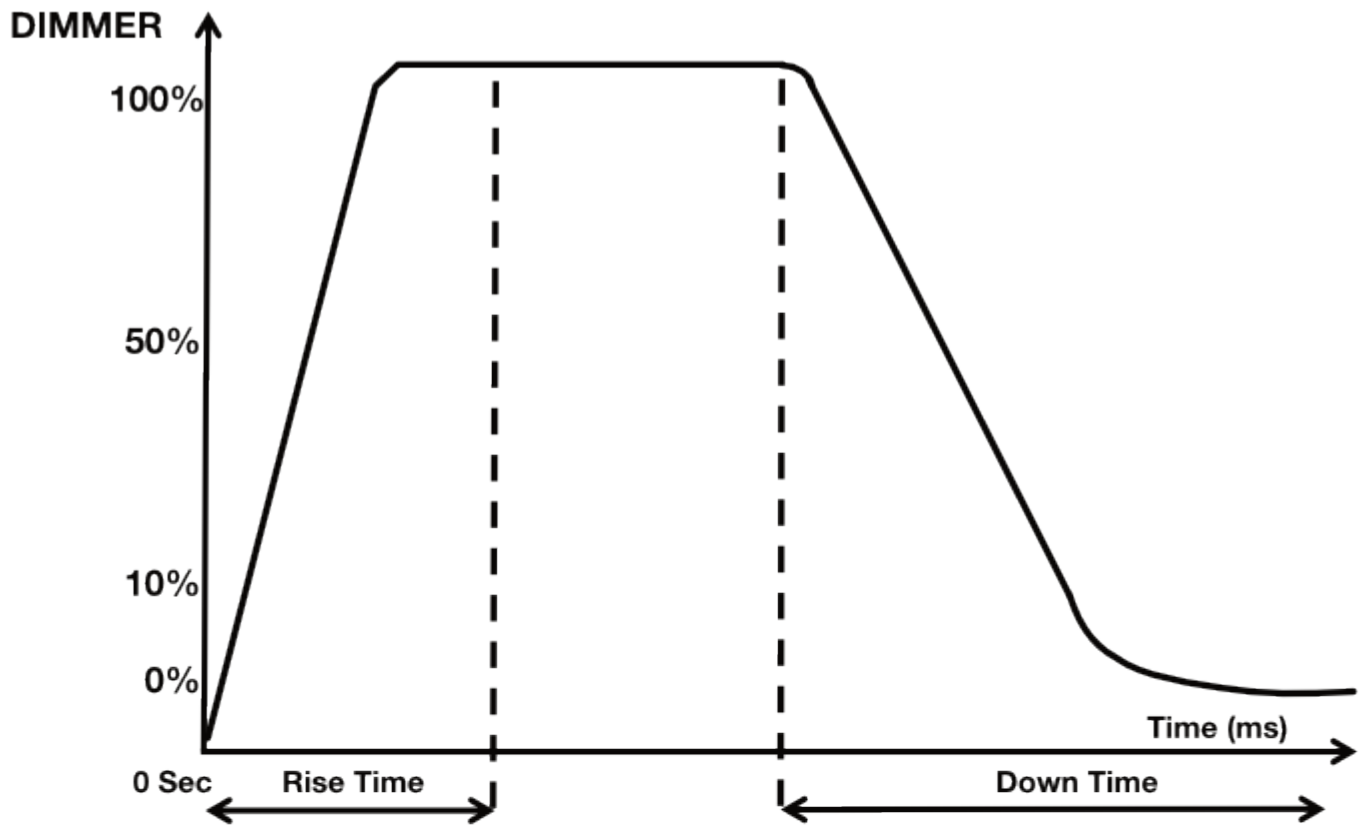
- **SOFTWARE VERSION** - Current software version is displayed.

## DMX TRAITS: CHANNEL FUNCTIONS & VALUES (13/15/16 DMX Channels)

13 CH	15 CH	16 CH	Values	Functions
1	1	1	000-255	<b>PAN MOVEMENT 8-BIT:</b> 0-100% (0° - 540°)
	2	2	000-255	<b>PAN FINE 16-BIT</b>
2	3	3	000-255	<b>TILT MOVEMENT 8-BIT:</b> 0-100% (0° - 200°)
	4	4	000-255	<b>TILT FINE</b>
3	5	5	000-255	<b>RED:</b> 0-100%
4	6	6	000-255	<b>GREEN:</b> 0-100%
5	7	7	000-255	<b>BLUE:</b> 0-100%
6	8	8	000-255	<b>WHITE:</b> 0-100%
7	9	9		<b>VARIABLE WHITE COLOR TEMPERATURE</b>
			000-005	No Function
			006-019	3000K
			020-084	3200K
			085-116	4000K
			117-149	4500K
			150-179	5000K
			180-209	5500k
210-255	6000K			
8	10	10		<b>SHUTTER &amp; STROBING</b>
			000-031	LED OFF
			032-063	LED ON
			064-095	STROBING SLOW-FAST
			096-127	LED ON
			128-159	PULSE EFFECT IN SEQUENCES
			160-191	LED ON
			192-223	RANDOM STROBING SLOW-FAST
224-255	LED ON			
9	11	11	000-255	<b>MASTER DIMMER:</b> 0-100%
10	12	12	000-255	<b>DIMMER FINE:</b> 0-100%
11	13	13	000-255	<b>ZOOM:</b> 9° - 37°

13 CH	15 CH	16 CH	Values	Functions
				<b>VARIABLE WHITE COLOR TEMPERATURE</b>
			000-020	STANDARD
			021-040	STAGE
			041-060	TV
			061-080	ARCHITECTURAL
			081-100	THEATRE
			101-120	STAGE 2
				<b>DIMMER DELAY TIME</b>
			121	0.1 SEC.
			122	0.2 SEC.
			123	0.3 SEC.
			124	0.4 SEC.
			125	0.5 SEC.
			126	0.6 SEC.
			127	0.7 SEC.
			128	0.8 SEC.
			129	0.9 SEC.
			130	1.0 SEC.
			131	1.5 SEC.
			132	2.0 SEC.
			133	3.0 SEC.
			134	4.0 SEC.
			135	5.0 SEC.
			136	6.0 SEC.
			137	7.0 SEC.
			138	8.0 SEC.
			139	9.0 SEC.
			140	10 SEC.
			141-255	DEFAULT TO UNIT SETTING
12	14	15	000-255	<b>PAN/TILT MOVEMENT SPEED: SLOW-FAST</b>
				<b>SPECIAL FUNCTIONS</b>
			000-010	DEFAULT LED REFRESH RATE (1200Hz)
			011-020	900Hz Refresh Rate
			021-030	1000Hz Refresh Rate
			031-040	1100Hz Refresh Rate
			041-050	1300Hz Refresh Rate
			051-060	1400Hz Refresh Rate
			061-070	1500Hz Refresh Rate Disable LED
			071-080	Disable LED Refresh Rate
			081-090	Enable Blackout w/ Pan/Tilt Movement
			091-100	Disable Blackout w/ Pan/Tilt Movement
			101-110	Reset All
			111-120	Reset Zoom
			121-130	Reset Pan/Tilt
			131-255	No Function
13	15	16		

# DIMMER MODE CHART



Dimming Curve Ramp Effect	0 sec Fade Time		1 sec Fade Time	
	Rise Time (ms)	Down Time (ms)	Rise Time (ms)	Down Time (ms)
Standard (default)	0	0	0	0
Stage	780	1100	1540	1660
TV	1180	1520	1860	1940
Architectural	1380	1730	2040	2120
Theatre	1580	1940	2230	2280
Stage 2	0	1100	0	1660

## **MULTIPLE POWER LINKING**

With this feature you can connect the fixtures to one another using the power cable input and output sockets.

**NOTE: USE CAUTION WHEN POWER LINKING OTHER FIXTURES AS THE POWER CONSUMPTION OF OTHER MODEL FIXTURES MAY EXCEED THE MAX POWER OUTPUT ON THIS FIXTURE! CHECK SILK SCREEN FOR MAX AMPS.**

## **CLEANING**

Due to fog residue, smoke, and dust cleaning the internal and external optical lenses must be carried out periodically to optimize light output.

1. Use normal glass cleaner and a soft cloth to wipe down the outside casing.
2. Clean the external optics with glass cleaner and a soft cloth every 20 days.
3. Always be sure to dry all parts completely before plugging the unit back in.

Cleaning frequency depends on the environment in which the fixture operates (i.e. smoke, fog residue, dust, dew).



# SPECIFICATIONS

## Optical:

- 300W RGBW COB (Chip On Board) 4-IN-1 LED engine (Red, Green, Blue & White)
- 20,000 hour LED life
- Motorized Zoom: 9 ~ 37-degrees
- CRI: 80

## Connections:

- Locking power In/Out to daisy chain power
- Daisy chain up to 4 fixtures @ 120V, 8 fixtures @ 230V
- 3-pin & 5-pin XLR, In/Out DMX Connections
- Built-in USB software upgrade port
- With Wired Digital Communication Network

## Control:

- 3 DMX Channel Modes: 13, 15, & 16-channels
- Color display with touch button
- DMX-512 & RDM (Remote Device Management)
- Pan: 540-degrees (plus 16-bit Fine Pan)
- Tilt: 200-degrees (plus 16-bit Fine Tilt)
- 0-100% Dimming

## Electrical:

- Multi-voltage operation: 100-240V, 50/60Hz
- Power Consumption: 252W max

## Dimensions / Weight:

- Dimensions (LxWxH): 12.05"x8.7"x17.63" / 306.7x221x448mm
- Weight: 25 lbs. / 11.3 kg.

## What's In The Box:

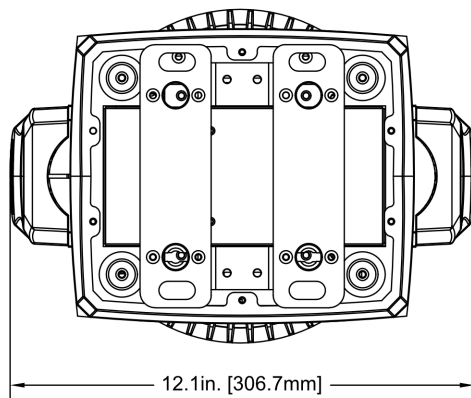
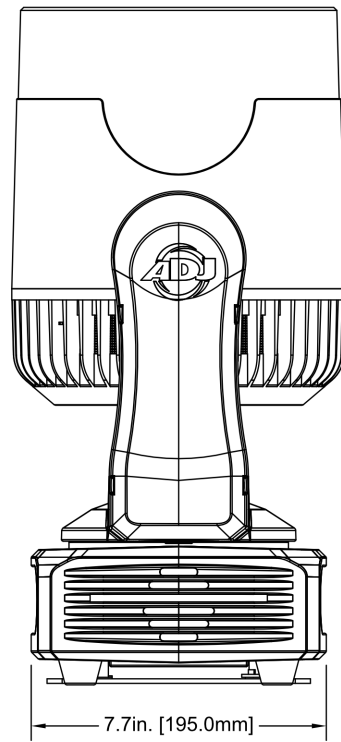
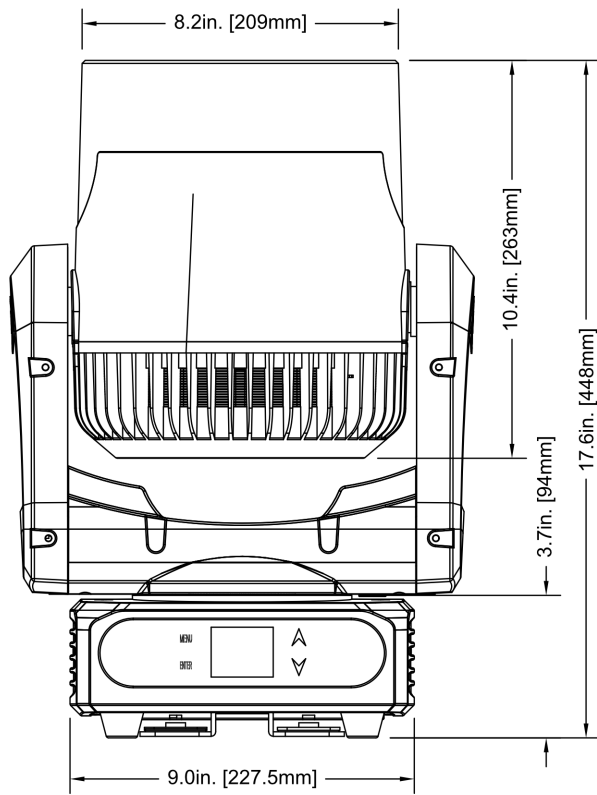
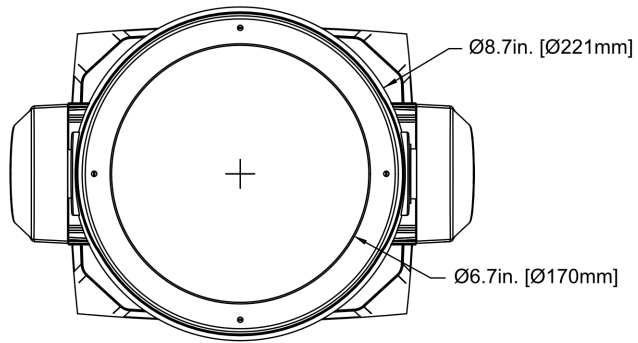
- Two Omega Brackets
- Locking power cable

## Approvals:

- ETL Approved



# DIMENSIONS



## **FCC STATEMENT**

This device complies with Part 15 of the FCC Rules. Operation is subject to the following two conditions: (1) this device may not cause harmful interference, and (2) this device must accept any interference received, including interference that may cause undesired operation.

## **FCC RADIO FREQUENCY INTERFERENCE WARNINGS & INSTRUCTIONS**

This product has been tested and found to comply with the limits as per Part 15 of the FCC Rules. These limits are designed to provide reasonable protection against harmful interference in a residential installation. This device uses and can radiate radio frequency energy and, if not installed and used in accordance with the included instructions, may cause harmful interference to radio communications. However, there is no guarantee that interference will not occur in a particular installation. If this device does cause harmful interference to radio or television reception, which can be determined by turning the device off and on, the user is encouraged to try to correct the interference by one or more of the following methods:

- Reorient or relocate the device.
- Increase the separation between the device and the receiver.
- Connect the device to an electrical outlet on a circuit different from which the radio receiver is connected.
- Consult the dealer or an experienced radio/TV technician for help.

## **Europe Energy Saving Notice**

Energy Saving Matters (EuP 2009/125/EC)

Saving electric energy is a key to help protecting the environment. Please turn off all electrical products when they are not in use. To avoid power consumption in idle mode, disconnect all electrical equipment from power when not in use. Thank you



