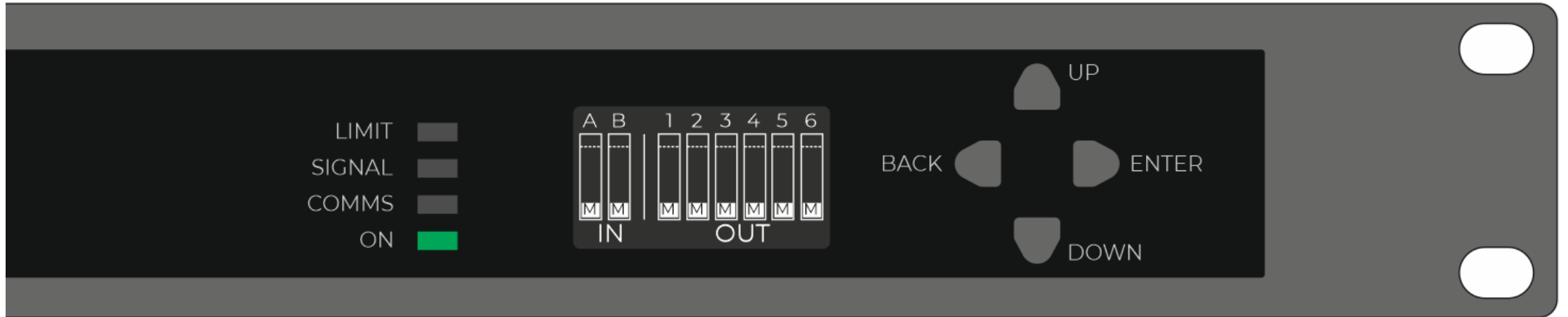


QUICK USER'S GUIDE INTEGRAL-M26X



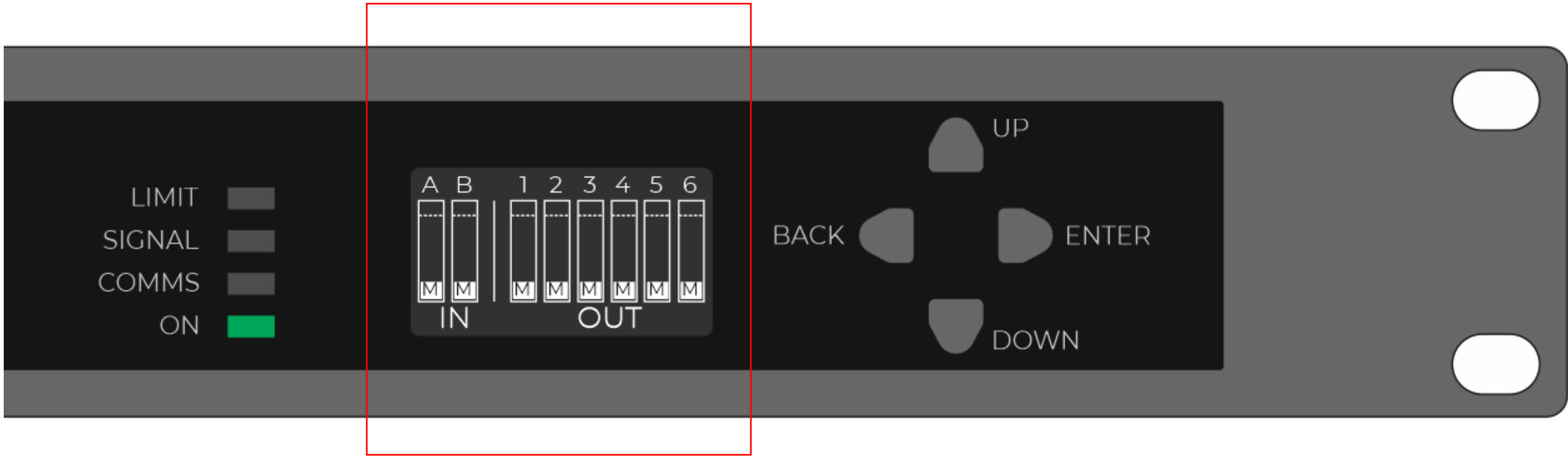
SOUND WITH SOUL

FRONT PANEL

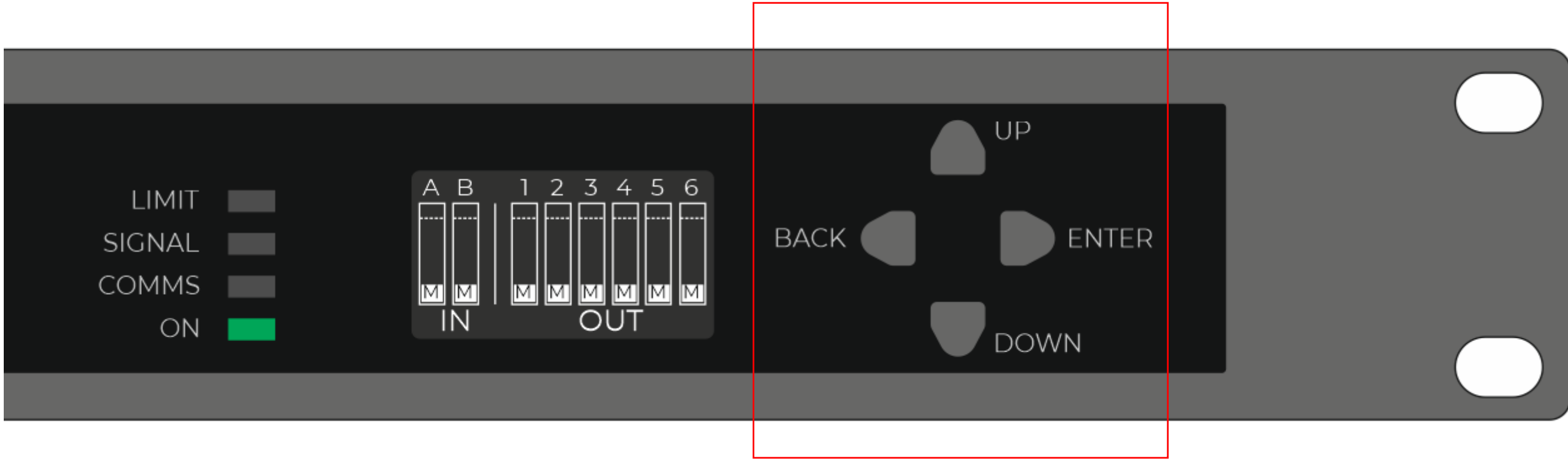


Meters referred to channel's limiter threshold

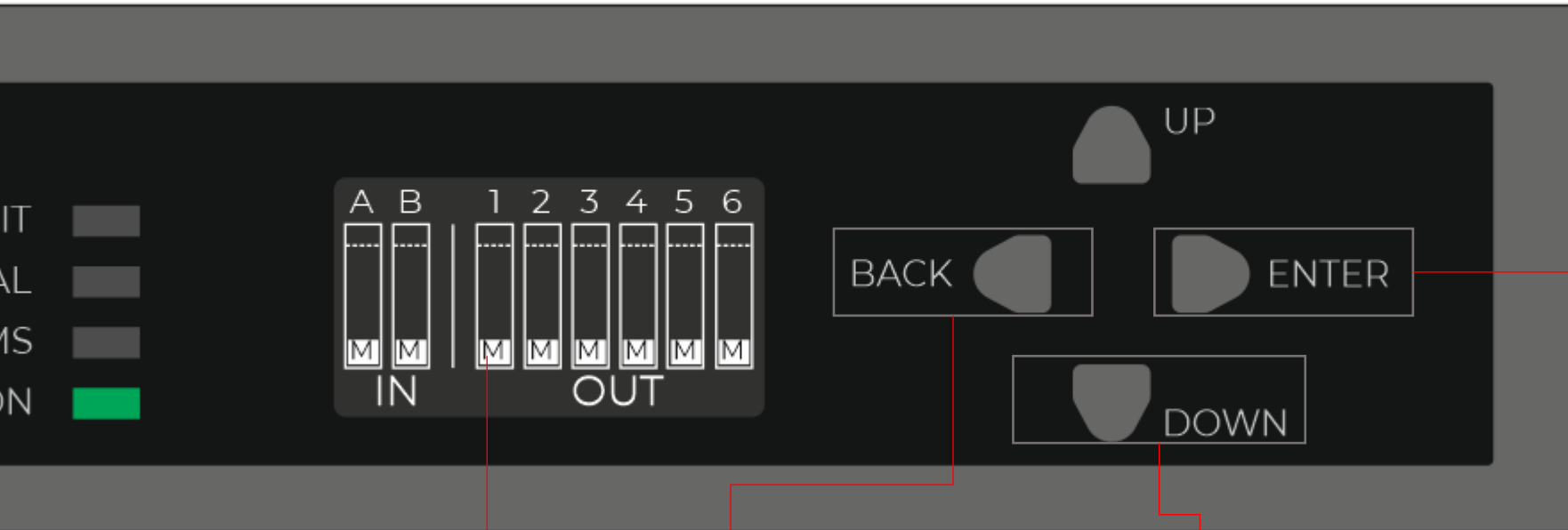
OLED DISPLAY



NAVIGATION BUTTONS



QUICK ACCESS BUTTONS



MAIN MENU

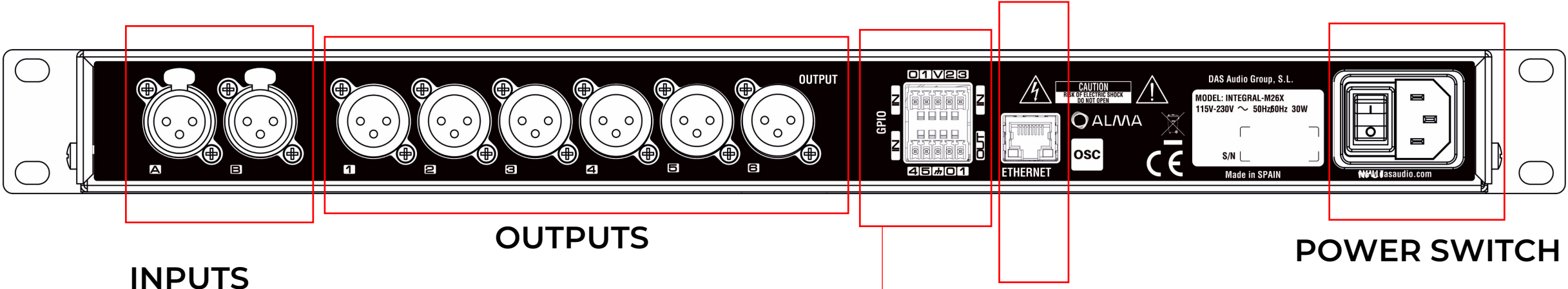
- INPUT GAIN
- OUTPUT GAIN
- INPUT MUTE
- OUTPUT MUTE
- OUTPUT DELAY
- SRC SELECTION
- LINK MANAGER
- OUTPUT PRESET
- GLOBAL PRESET
- OPTIONS

“M” → muted

DISPLAY OFF

PRESET NAME
IP ADDRESS
ID

REAR PANEL



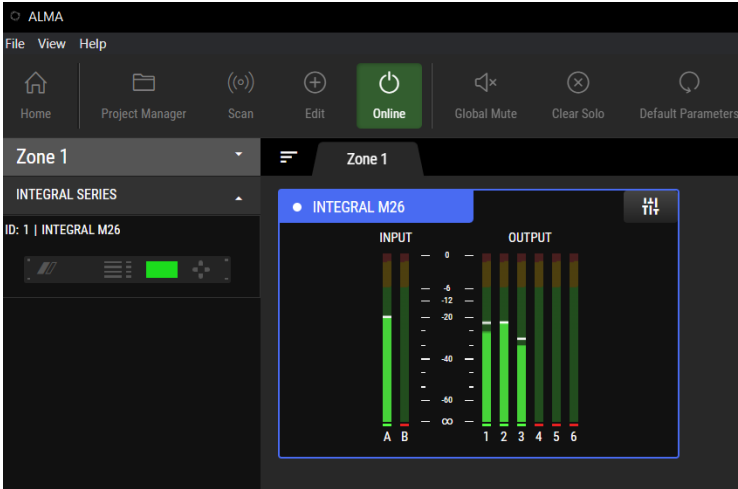
INPUTS

OUTPUTS

POWER SWITCH

GPIOs

ETH / ALMA



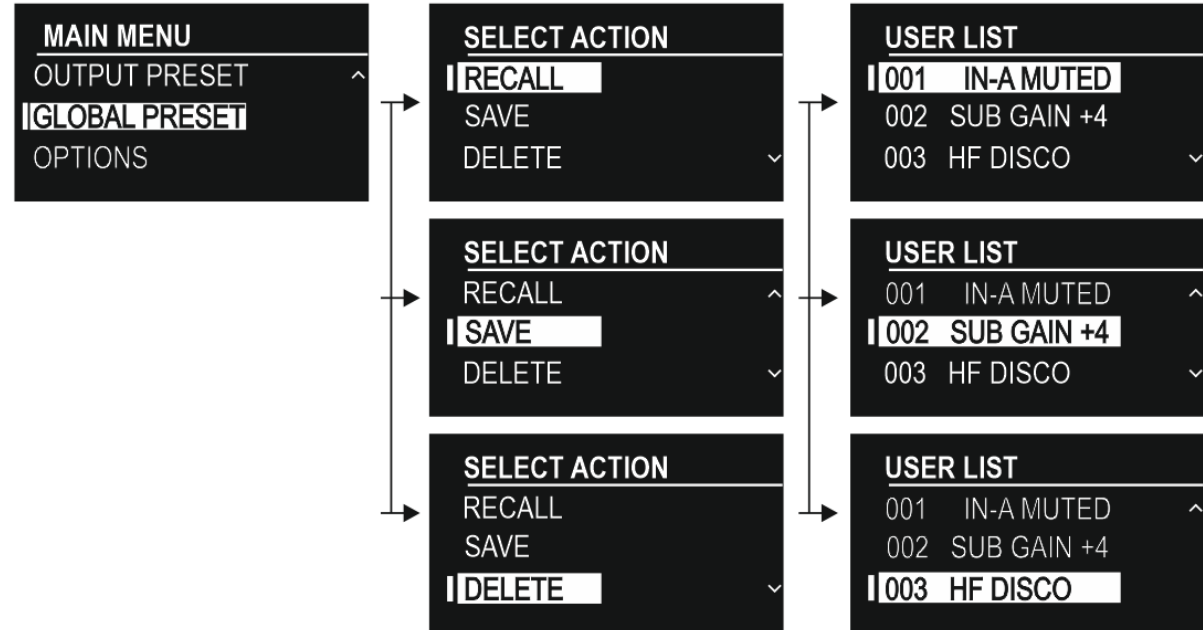


MAIN MENU

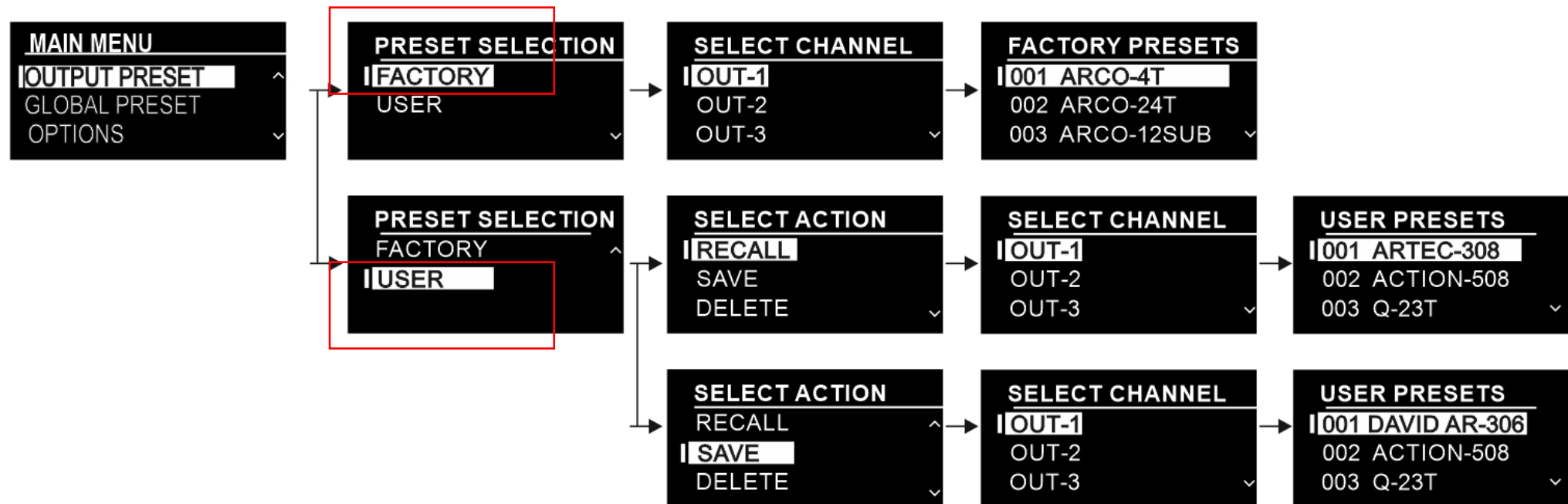
INPUT GAIN	—————>	IN-A +6.0dB/-40.0dB IN-B +6.0dB/-40.0dB	
OUTPUT GAIN	—————>	OUT-1 +15.0dB/-40.0dB OUT-2 +15.0dB/-40.0dB OUT-3 +15.0dB/-40.0dB OUT-4 +15.0dB/-40.0dB OUT-5 +15.0dB/-40.0dB OUT-6 +15.0dB/-40.0dB	
INPUT MUTE	—————>	IN-A MUTE/OFF IN-B MUTE/OFF	
OUTPUT MUTE	—————>	OUT-1 MUTE/OFF OUT-2 MUTE/OFF OUT-3 MUTE/OFF OUT-4 MUTE/OFF OUT-5 MUTE/OFF OUT-6 MUTE/OFF	
OUTPUT DELAY	—————>	OUT-1 0ms/135ms OUT-2 0ms/135ms OUT-3 0ms/135ms OUT-4 0ms/135ms OUT-5 0ms/135ms OUT-6 0ms/135ms	
SRC SELECTION	—————>	OUT-1 OFF//IN-A//IN-B OUT-2 OFF//IN-A//IN-B OUT-3 OFF//IN-A//IN-B OUT-4 OFF//IN-A//IN-B OUT-5 OFF//IN-A//IN-B OUT-6 OFF//IN-A//IN-B	
LINK MANAGER	—————>	IN-A OFF/L1 IN-B OFF/L1	OUT-1 OFF/L1/L2/L3 OUT-2 OFF/L1/L2/L3 OUT-3 OFF/L1/L2/L3 OUT-4 OFF/L1/L2/L3 OUT-5 OFF/L1/L2/L3 OUT-6 OFF/L1/L2/L3
OUTPUT PRESET	—————>	FACTORY USER	OUT-1/OUT-2/OUT-3/OUT-4/OUT-5/OUT-6/OUT-7/OUT-8 RECALL/SAVE/DELETE
GLOBAL PRESET	—————>	RECALL/SAVE/DELETE	
OPTIONS	—————>	NETWORK EMERGENCY CONTRAST DELAY U. LOCK INFORMATION DEFAULT PARAMS	NETWORK INFO/NETWORK ID/MODE/IP ADDRESS/SUBNET MASK/GATEWAY/SELF-ASSIGN OFF//IN-A//IN-B 1/2/3/4/5 ms/FEET/METER FW SN uC DSP

PRESETS

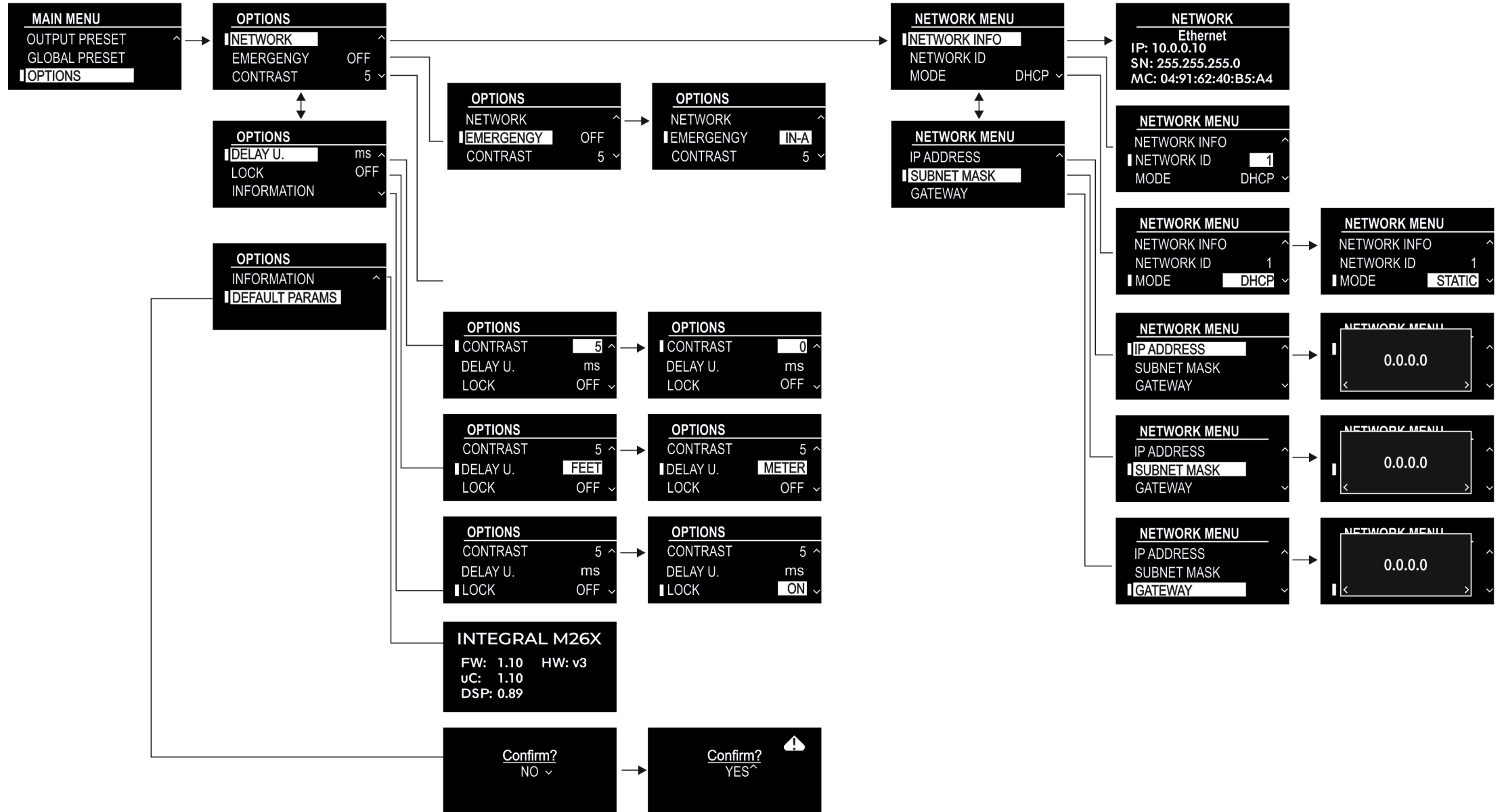
GLOBAL



USER / FACTORY



OPTIONS

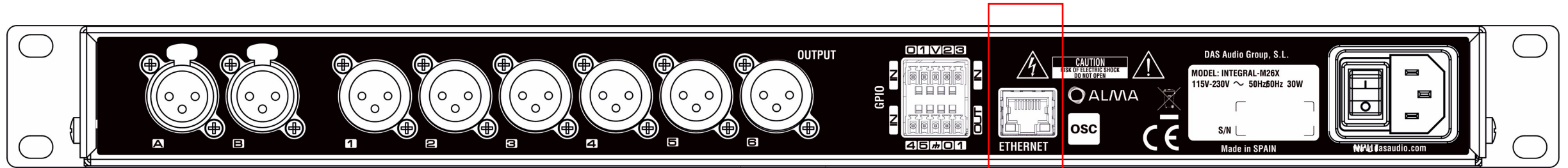


INTEGRAL-M26X NETWORK CONNECTIONS



SOUND WITH SOUL

REAR PANEL



- ETHERNET PORT
- ALMA CONTROL
- OSC CONTROL

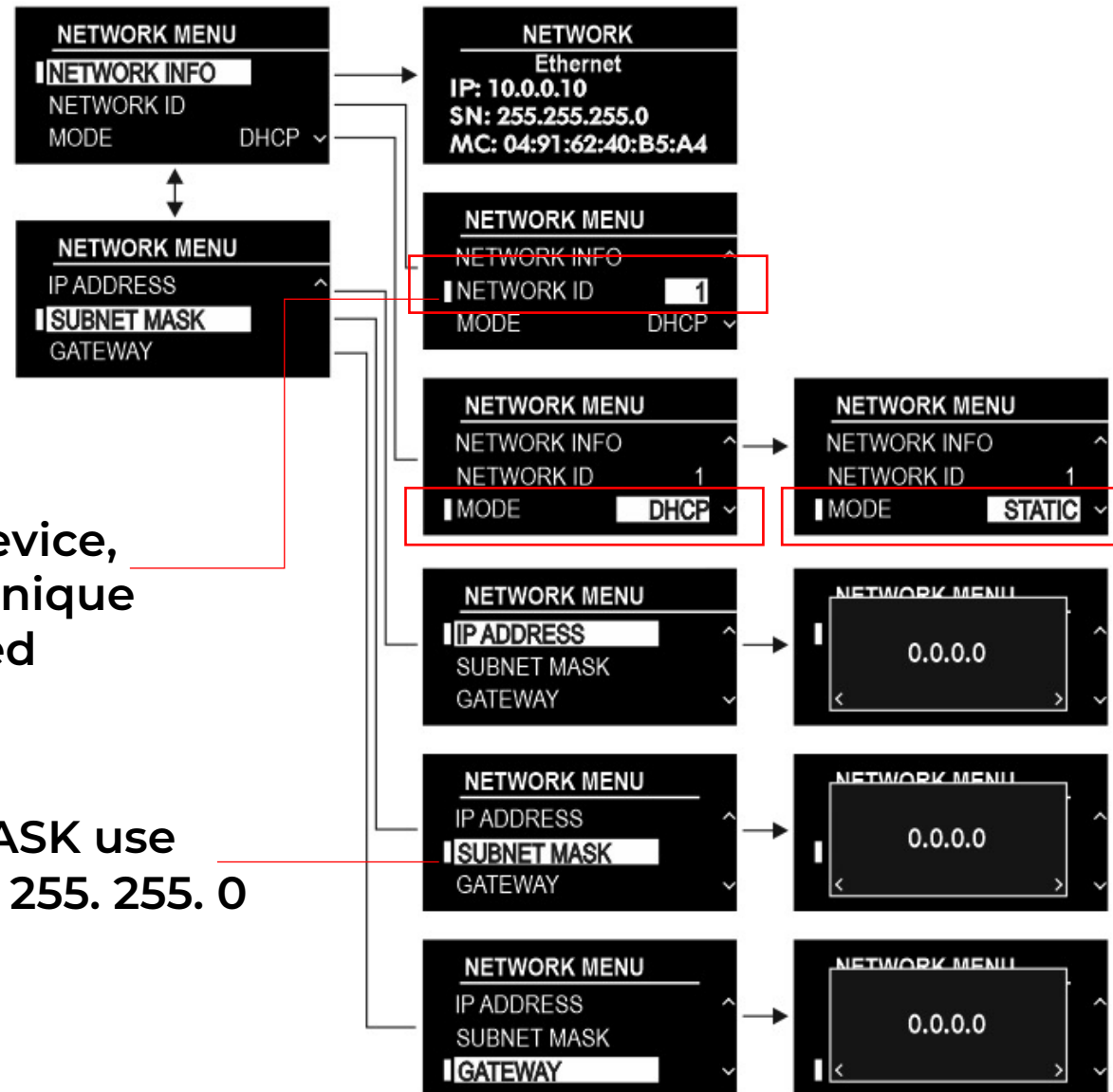
NETWORK MENU (VIA DISPLAY)

- NETWORK ID
- STATIC IP
- DYNAMIC IP

Network ID

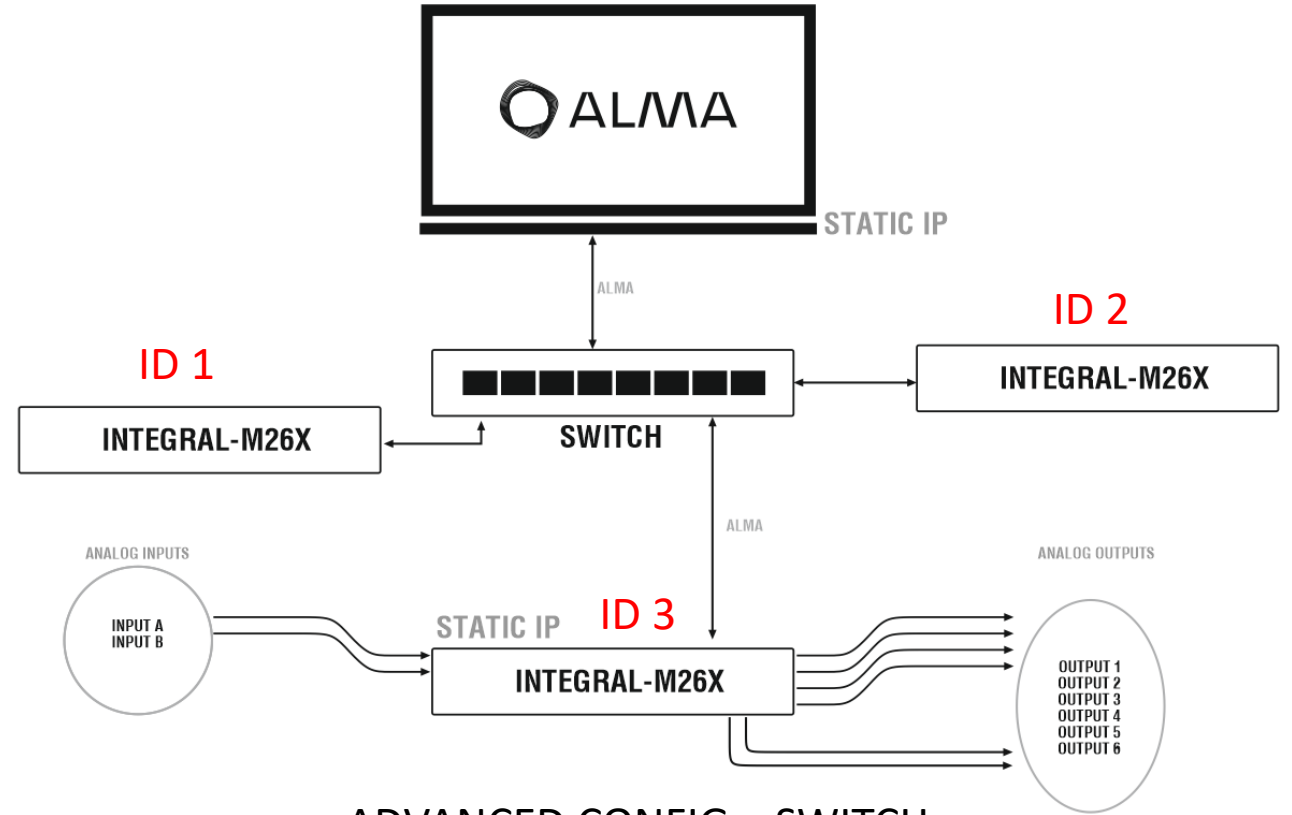
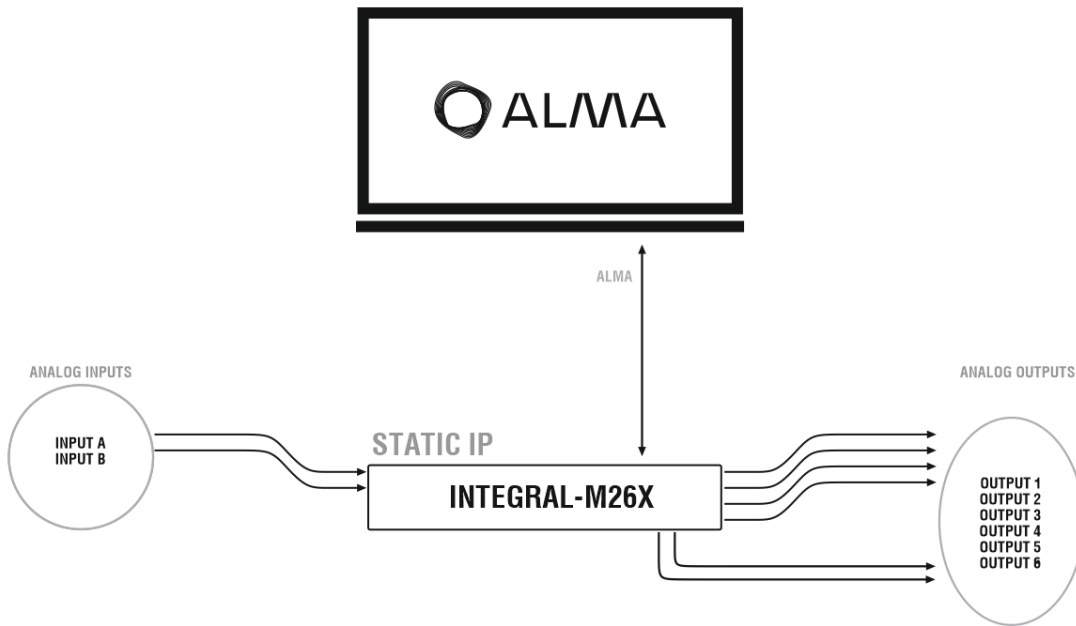
When having more than one device, ID numbers can not be equal; unique ID number per device is required

SUBNET MASK use always 255. 255. 255. 0



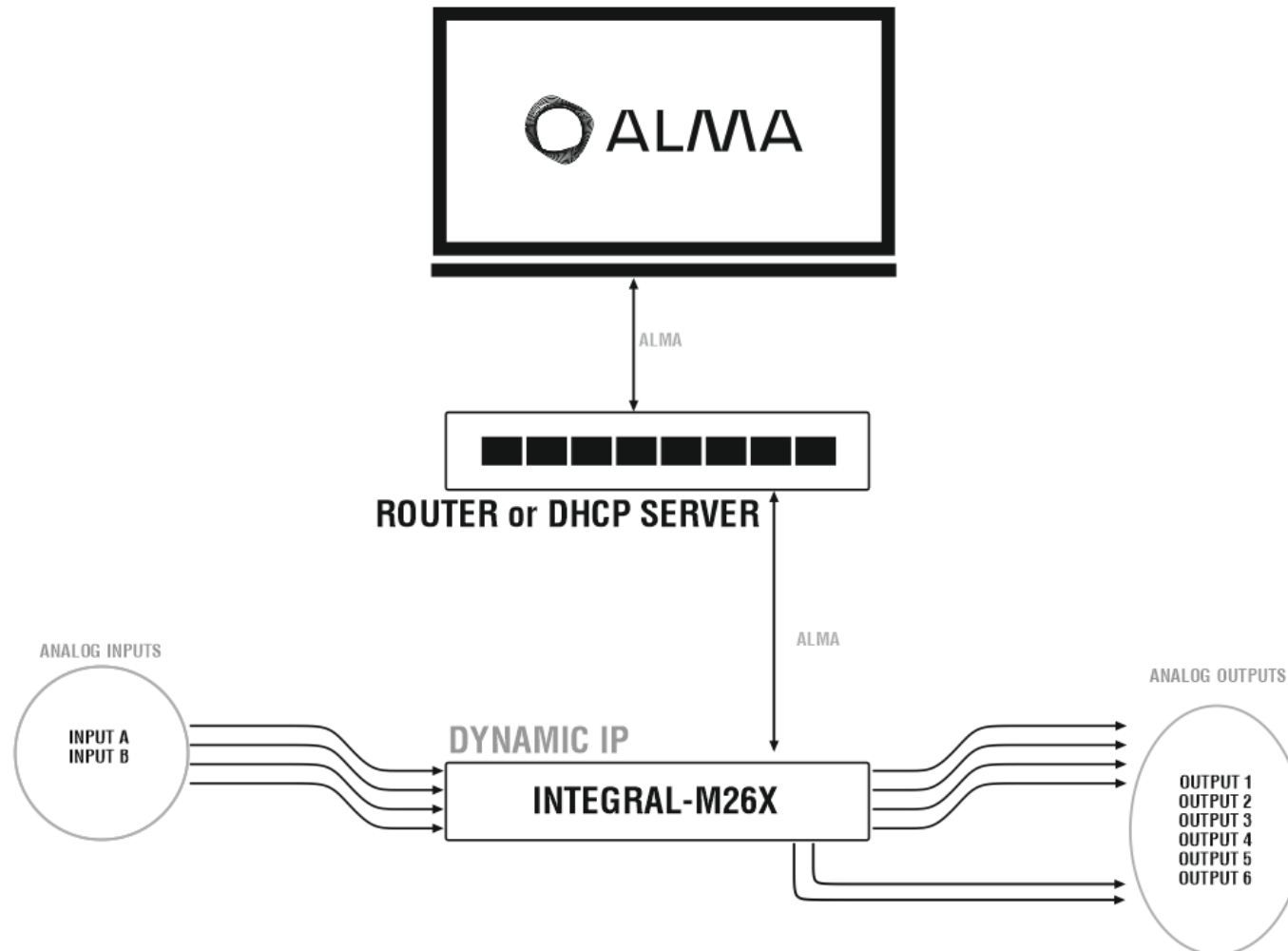
STATIC IP - SWITCH

BASIC CONFIG - POINT TO POINT
(1 UNIT M26X)

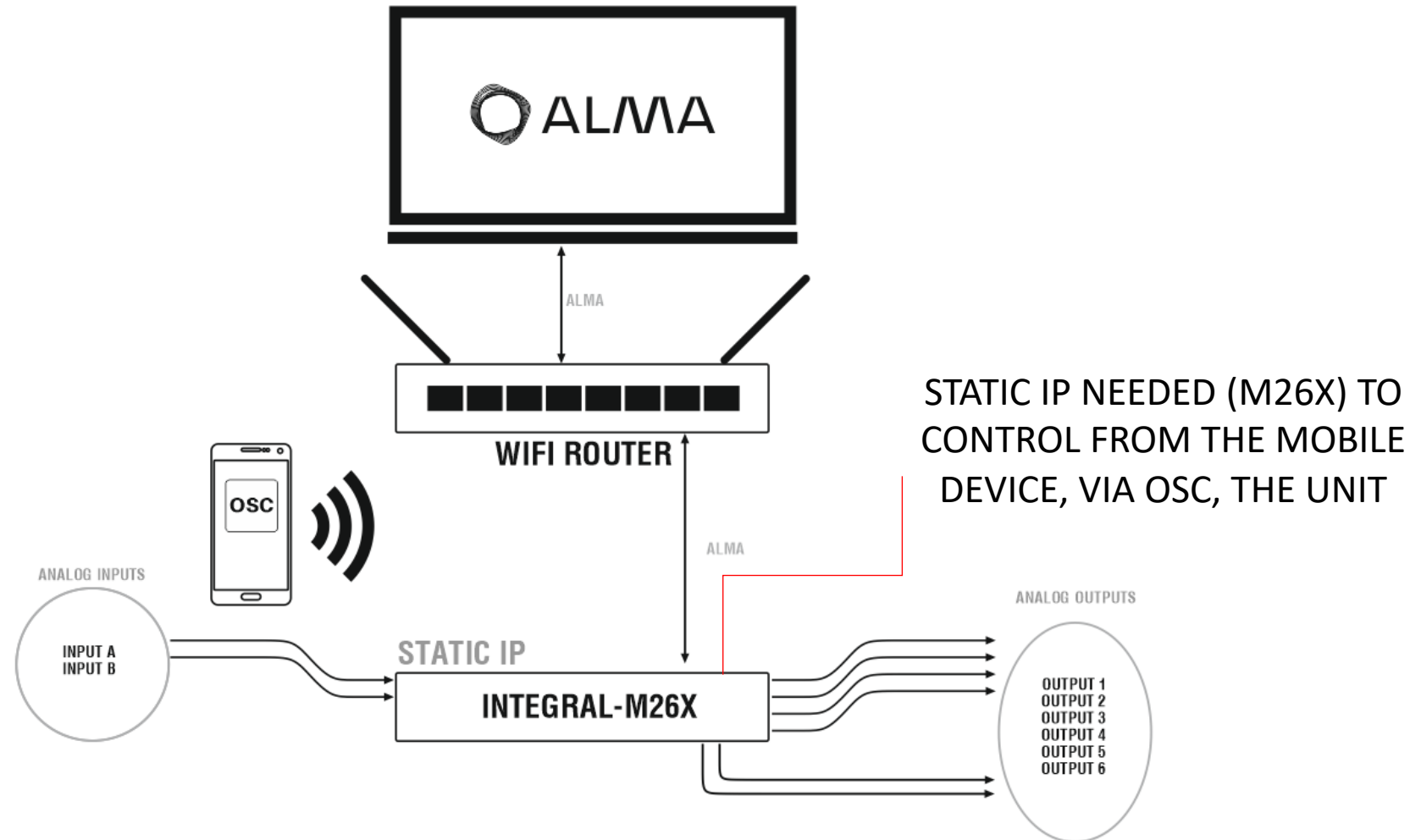


ADVANCED CONFIG – SWITCH
(2 OR MORE UNITS M26X)

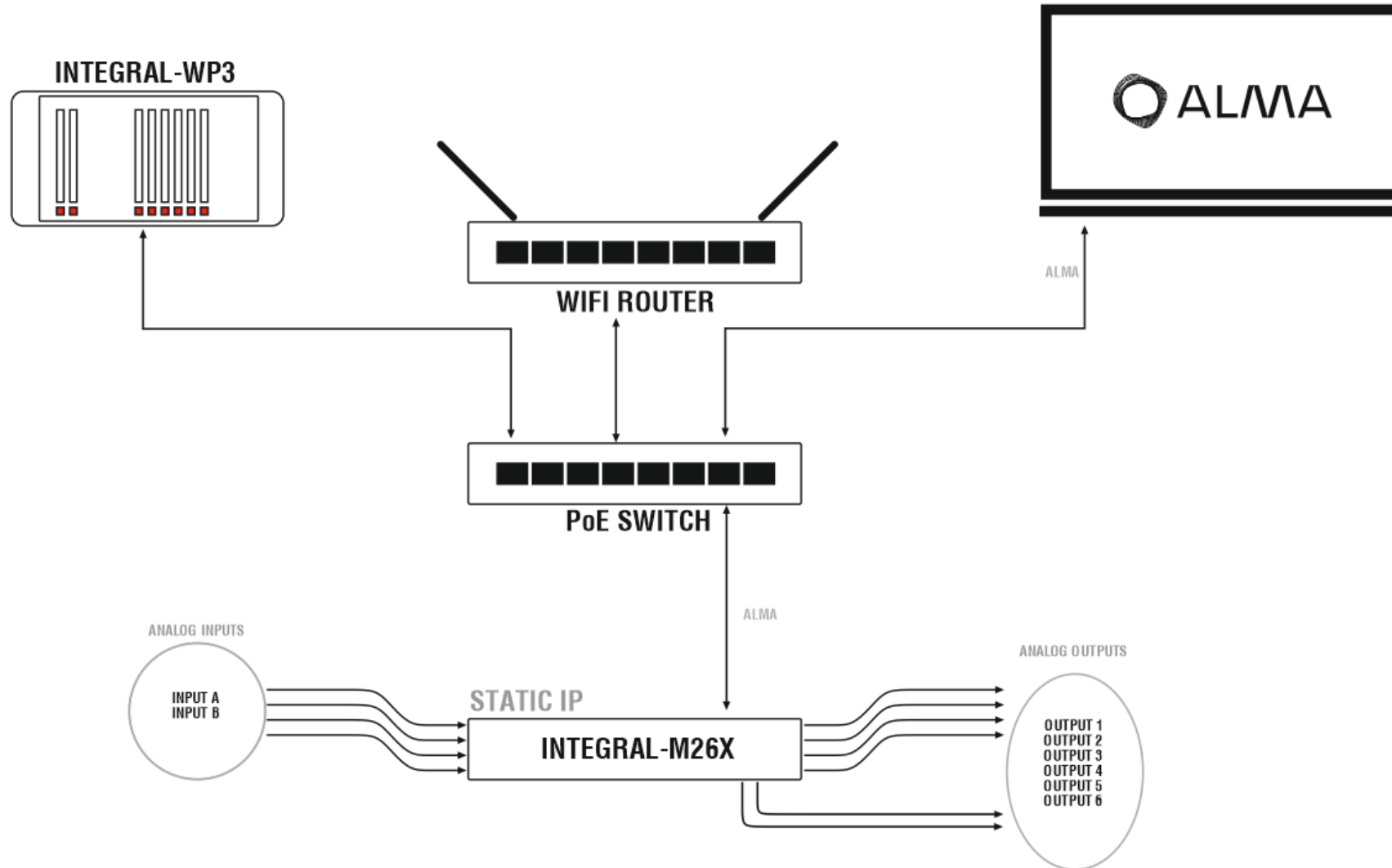
DYNAMIC IP - ROUTER



STATIC IP – WIFI ROUTER (OSC CONTROL)

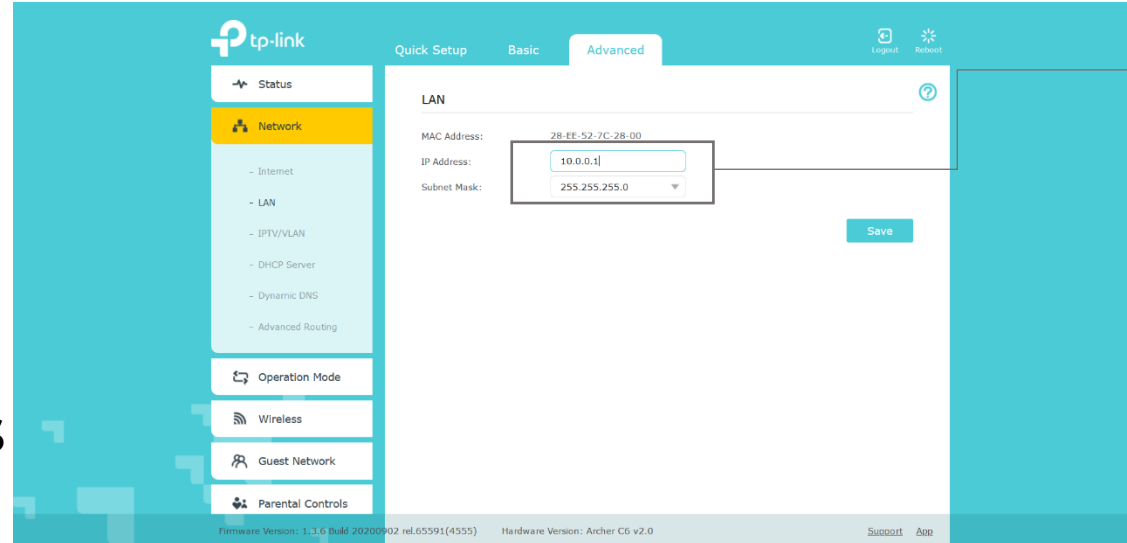


STATIC IP – WIFI ROUTER (OSC CONTROL WITH WP3)



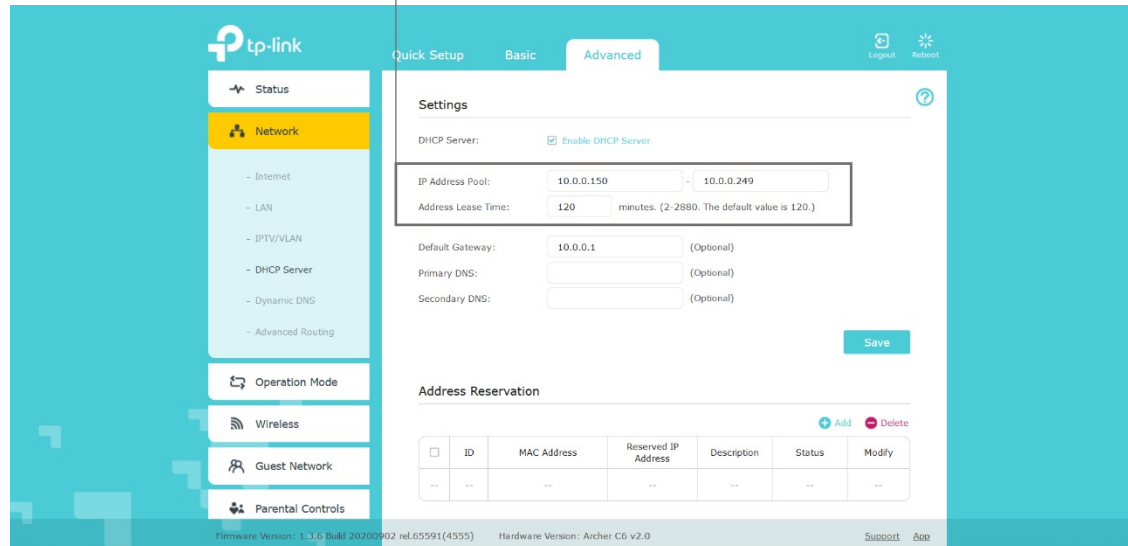
WIFI ROUTER CONFIGURATION (TP-LINK AC6)

1°) ENTER 192.168.0.1

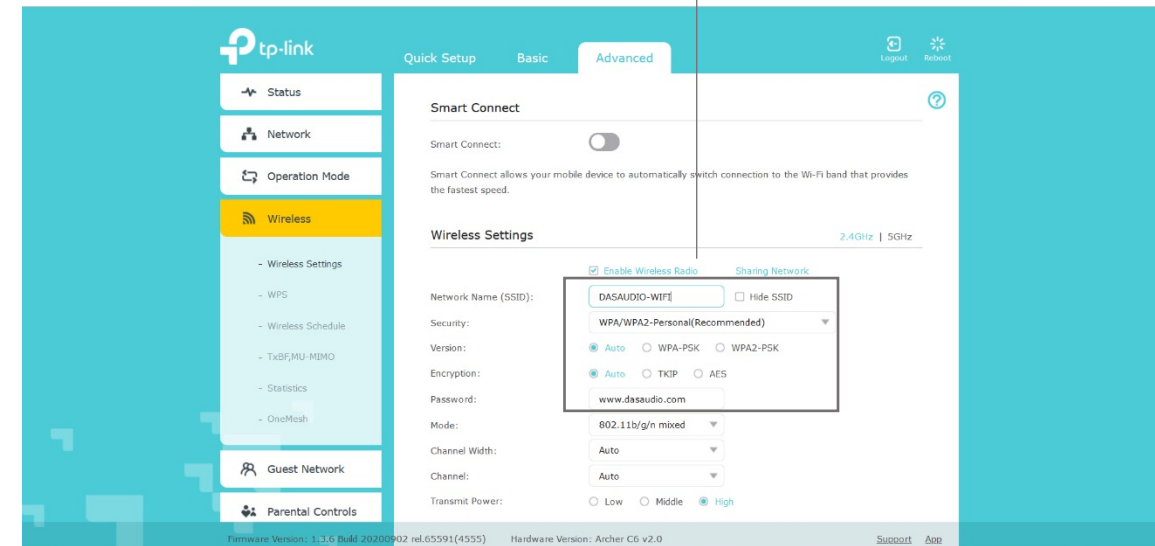


2°) NEW ROUTER IP

3rd) DHCP SERVER:
NEW ROUTER IP RANGES



4th) WIFI NETWORK
(NAME AND PASSWORD)





SOUND WITH SOUL