

ART 732-A MK4

ACTIVE TWO-WAY SPEAKER

DESCRIPTION

The ART 732-A is a unique speaker in its category. The titanium dome, 3.0" voice coil neodymium compression driver offers a unique vocal clarity and sound projection. The 15" neodymium woofer offers an extremely linear response and a precise, deep low frequency control. The transducers are produced using the most advanced assembly technologies. The amplifier delivers 1400 watts and is controlled by a DSP that takes care of crossover, equalisation, phase control, soft limiting and speaker protections.



FEATURES

- 131 dB Max SPL
- Innovative DSP Processing
- 1.4" Titanium Compression Driver, 3.0" v.c. Neodimium
- 12" Woofer
- 700 Hz crossover point for perfect vocal reproduction
- 90°x60°, wide dispersion constant directivity horn
- FiRPHASE Technology
- 1400 WATT 2-way peak power

TECHNICAL SPECIFICATIONS

Acoustical specifications	Frequency Response:	50 Hz ÷ 20000 Hz
	Max SPL @ 1m:	131 dB
	Horizontal coverage angle:	90°
	Vertical coverage angle:	60°
Transducers	Compression Driver:	1 x 1.4" neo, 3.0" v.c
	Woofers:	12", 2.5" v.c
Input/Output section	Input signal:	bal/unbal
	Input connectors:	XLR, Jack
	Output connectors:	XLR
	Input sensitivity:	-2 dBu/+4 dBu
	Mic. Input Sensitivity:	-32 dBu
Processor section	Crossover Frequencies:	700 Hz
	Protections:	Thermal, RMS
	Limiter:	Soft Limiter
	Controls:	Volume, Boost, Mic/Line
Power section	Total Power:	1400 W Peak, 700 W RMS
	High frequencies:	400 W Peak, 200 W RMS
	Low frequencies:	1000 W Peak, 500 W RMS
	Cooling:	Convection
	Connections:	VDE
Standard compliance	CE marking:	Yes
Physical specifications	Cabinet/Case Material:	PP Composite
	Hardware:	2 x M10
	Handles:	1 Top, 2 Side
	Grille:	Steel
	Color:	Black
Size	Height:	637 mm / 25.08 inches
	Width:	384 mm / 15.12 inches
	Depth:	363 mm / 14.29 inches
	Weight:	17.8 kg / 39.24 lbs
Shipping informations	Package Height:	680 mm / 26.77 inches
	Package Width:	440 mm / 17.32 inches
	Package Depth:	420 mm / 16.54 inches
	Package Weight:	20.6 kg / 45.42 lbs



PART NUMBER

• **13000527**

ART 732-A MK4

115V

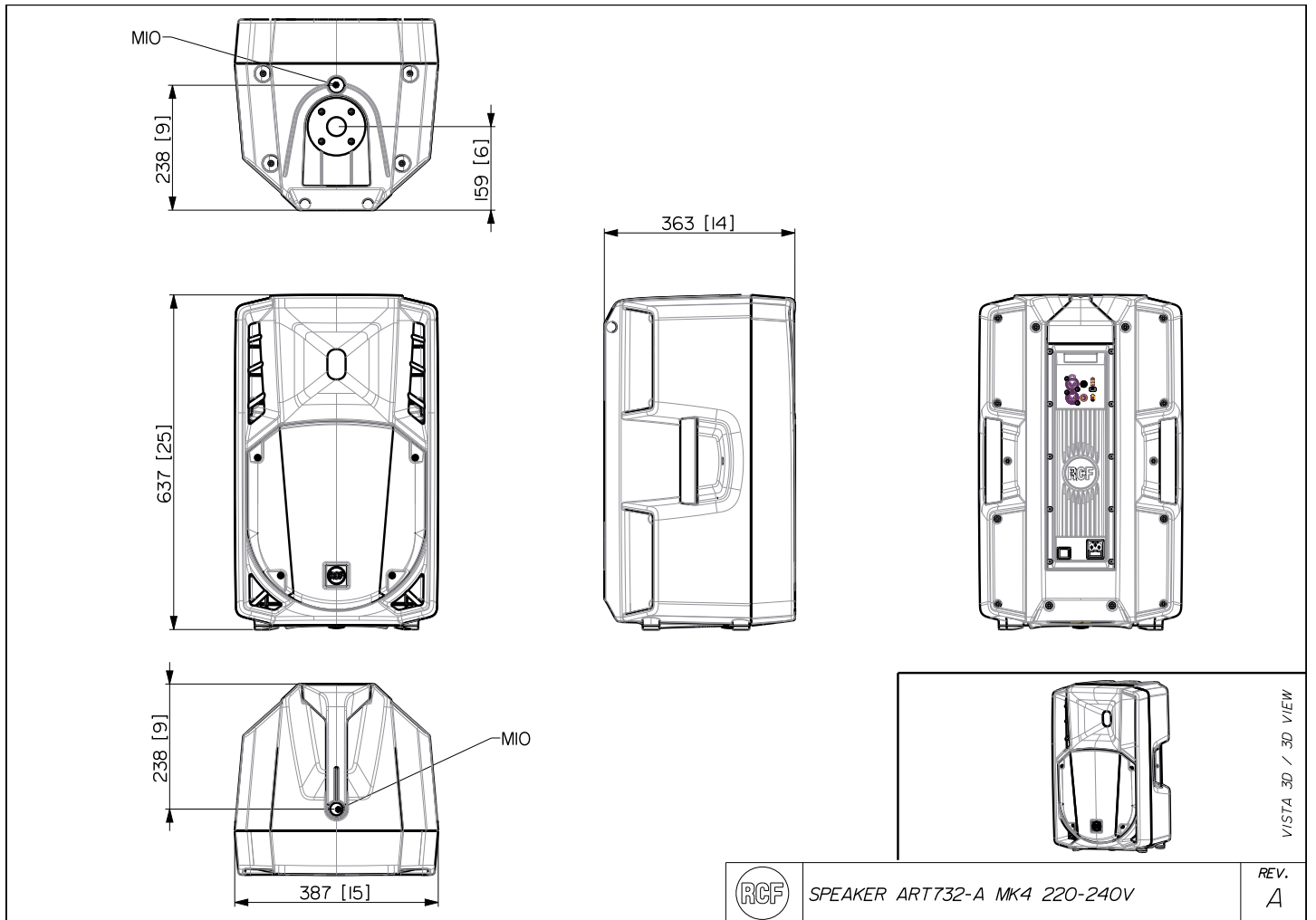
EAN 8024530014964

• **13000526**

ART 732-A MK4

220-240V

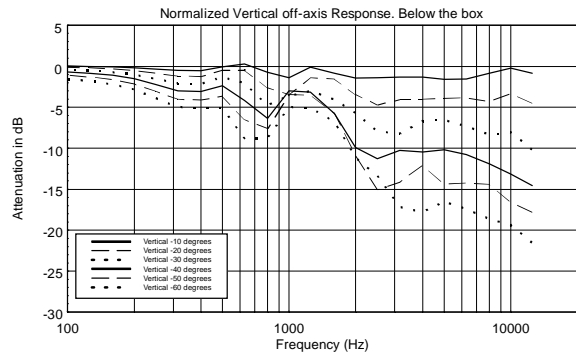
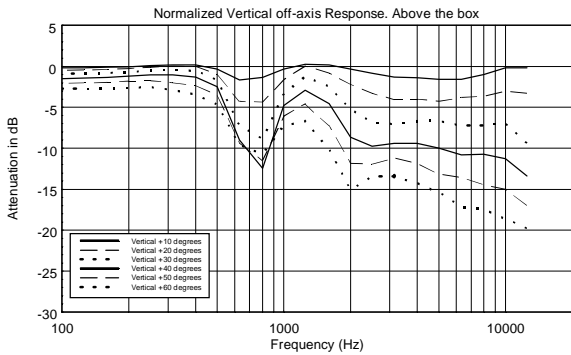
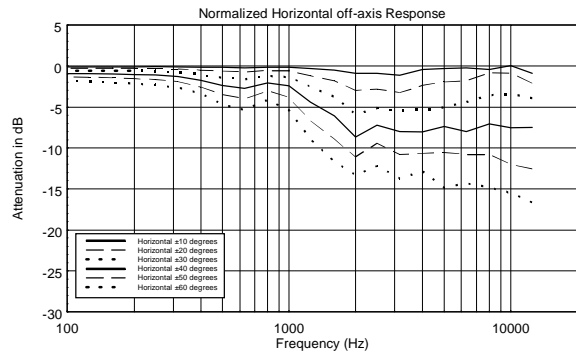
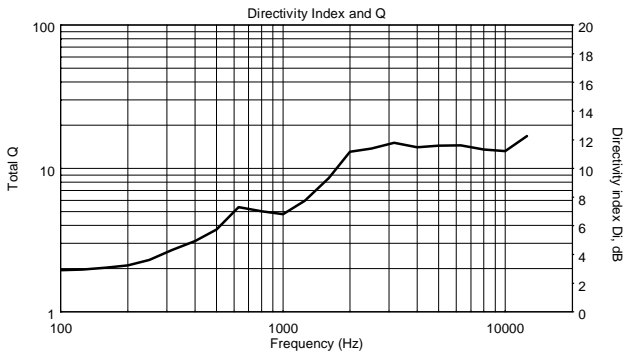
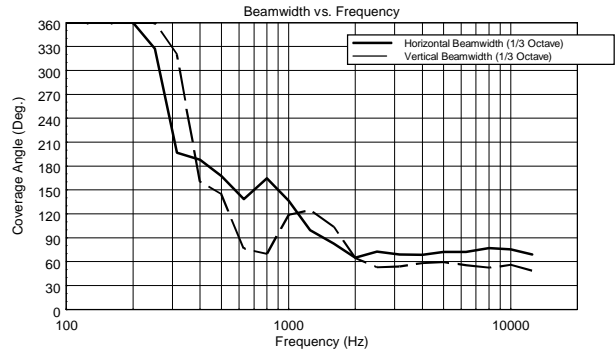
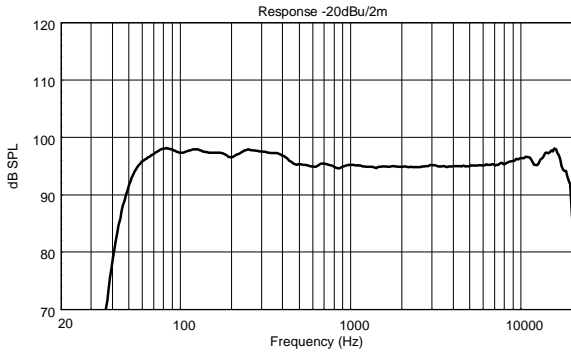
EAN 8024530014834



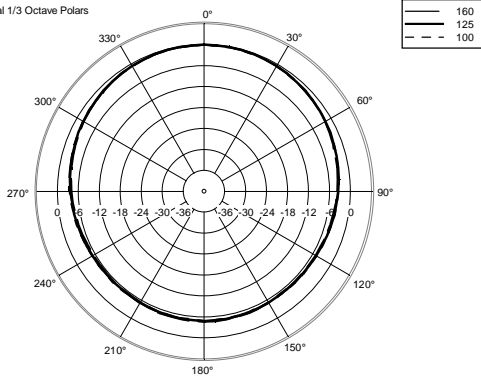
SPEAKER ART732-A MK4 220-240V

REV.
A

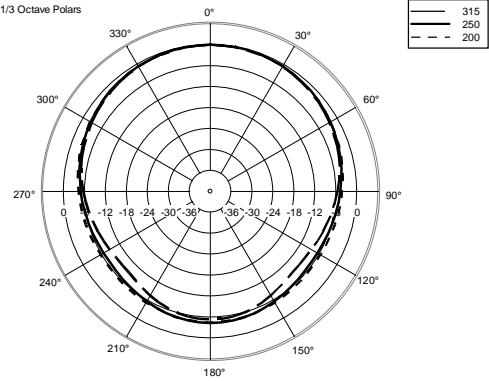
VISTA 3D / 3D VIEW



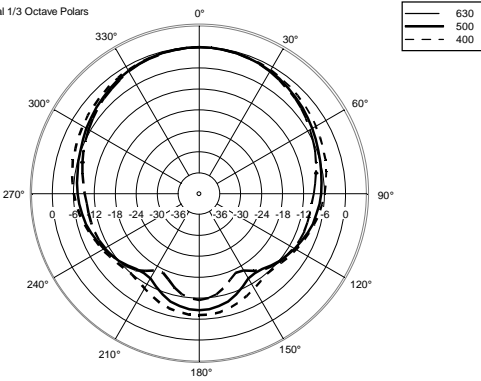
Horizontal 1/3 Octave Polars



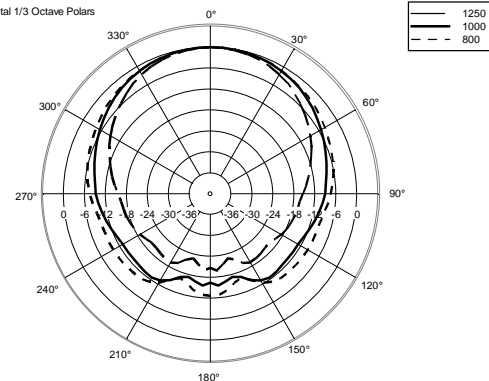
Horizontal 1/3 Octave Polars



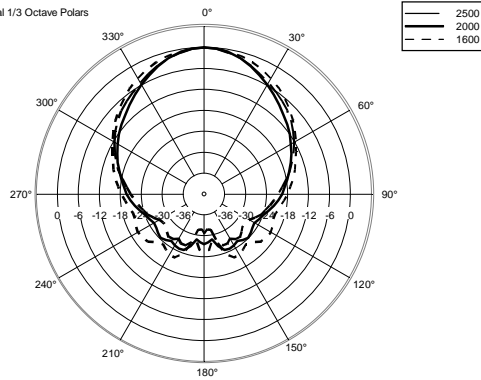
Horizontal 1/3 Octave Polars



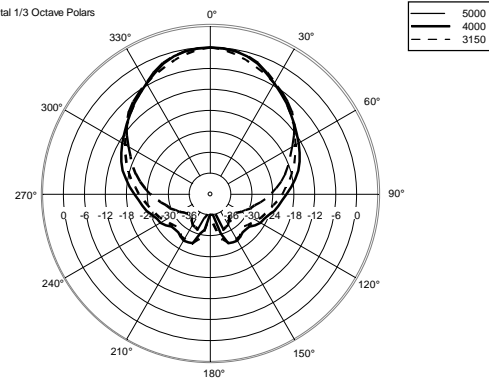
Horizontal 1/3 Octave Polars



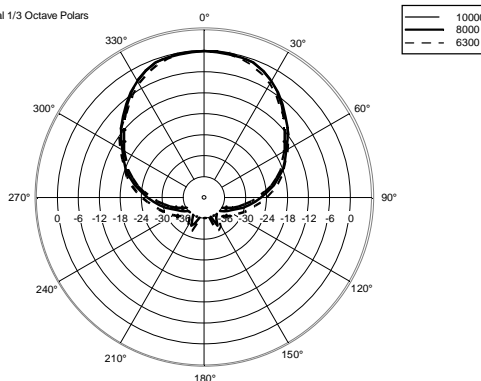
Horizontal 1/3 Octave Polars



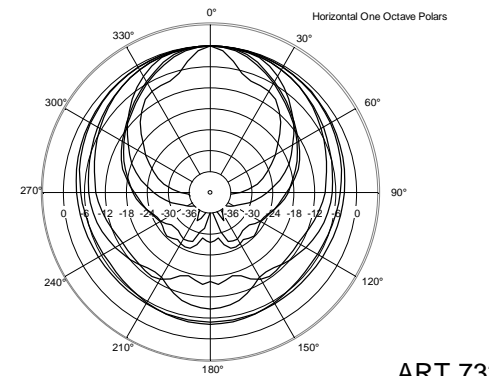
Horizontal 1/3 Octave Polars

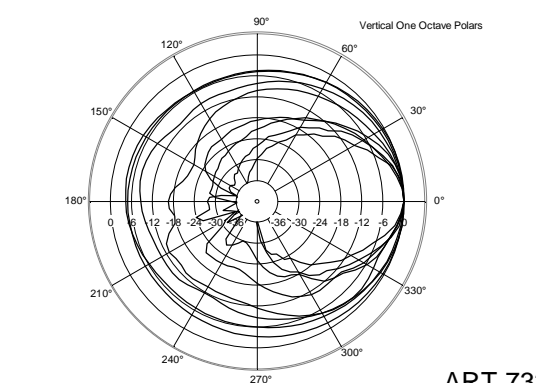
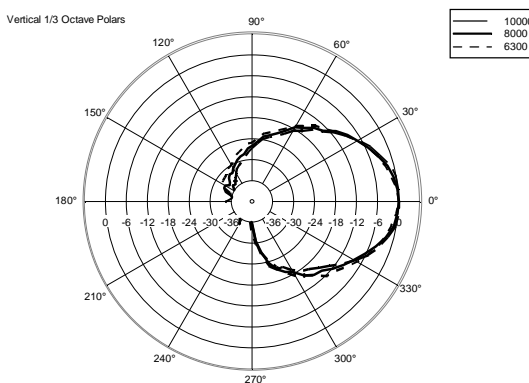
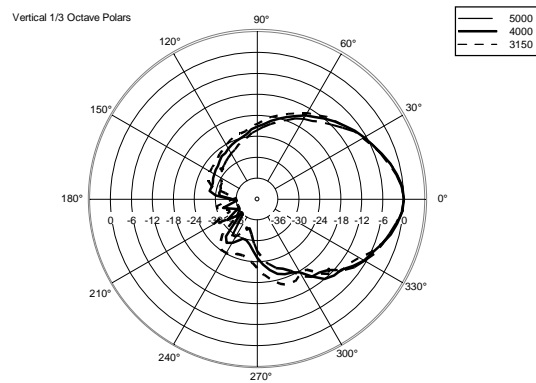
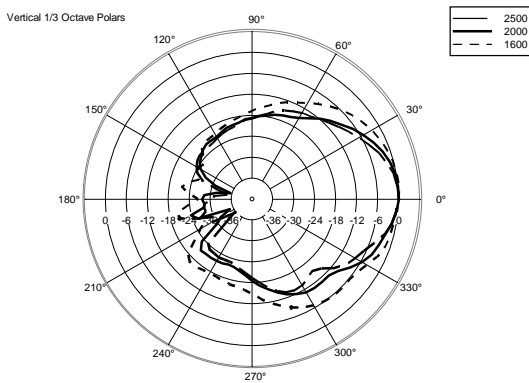
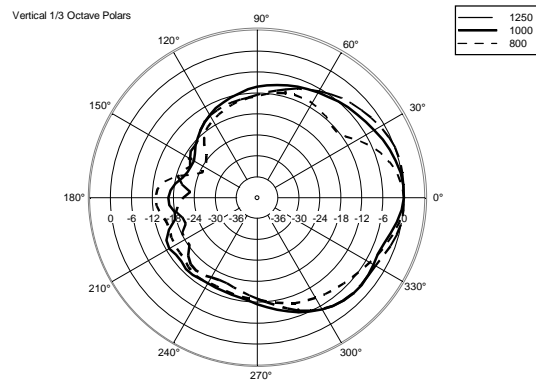
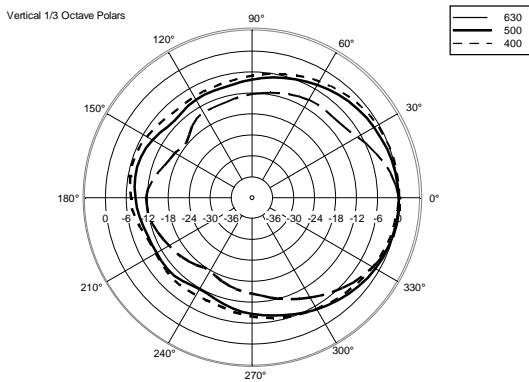
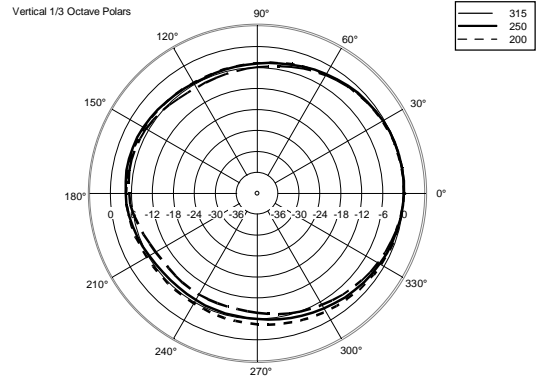
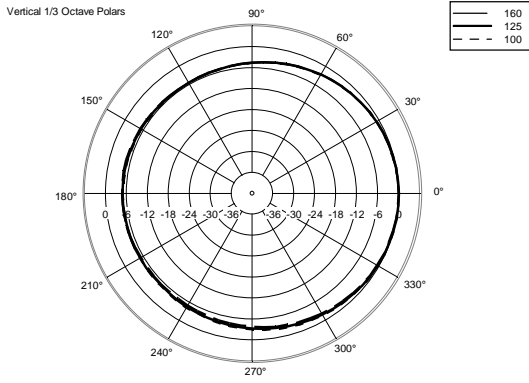


Horizontal 1/3 Octave Polars



Horizontal One Octave Polars





ACCESSORIES

AC PMA - POLE MOUNT

PART NUMBER **13360034**
EAN: 8024530007713

AC PM-M20

PART NUMBER **13360067**
EAN: 8024530014599

AC PMX POLE MOUNT M20

PART NUMBER **13360232**
EAN: 8024530010058

AC PRO-FS PROFESS. LOCKING FLOOR STAND

PART NUMBER **13360109**
EAN: 8024530006471

AC PRO-PM PROFESS. LOCKING POLE MOUNT

PART NUMBER **13360110**
EAN: 8024530006488

COVER CVR ART 722

PART NUMBER **13360114**
EAN: 8024530010669

HORIZONTAL BRACKET H-BR 2X ART 712

PART NUMBER **13360104**
EAN: 8024530015855