



# SR20SP GEN 2

STEREO PAIR OF  
DRUM OVERHEAD MICROPHONES

EARTHWORKS AUDIO

**PRODUCT  
INFORMATION**

**Product Full Name:** Earthworks Audio SR20sp 2nd Gen Stereo Pair of Drum Overhead Microphones

**Product Short Name:** SR20sp Gen 2

**Product ID/ SKU:** SR20sp G2

**Short Description:** Stereo Pair of Cardioid Microphones for Drum Overheads with 20Hz-20kHz Frequency Response. Includes Microphone Clips, Microphone Bags and Windscreens.

**MAP:** \$698



# THE DRUM SOUND YOU'RE CHASING

The Earthworks Audio SR20sp 2nd Gen stereo pair delivers staggering drum overhead performance for all genres of music. For the price, there is nothing better.

## WHY SR20SP GEN 2

### Instant Game-Changing Drum Sound

Found with the biggest names in music and on the biggest stages in the world — Earthworks drum mics are literally game-changing.

SR20 Gen 2 is a massive value in a tiny package that goes toe to toe with the best overheads in the industry.

### Our Most Mix-Ready Overheads

Pop. Hip hop. Rock. Country. Worship. SR20 Gen 2 does it all while making it look easy. It's cutting-edge technology that feels like a secret weapon for your mix.

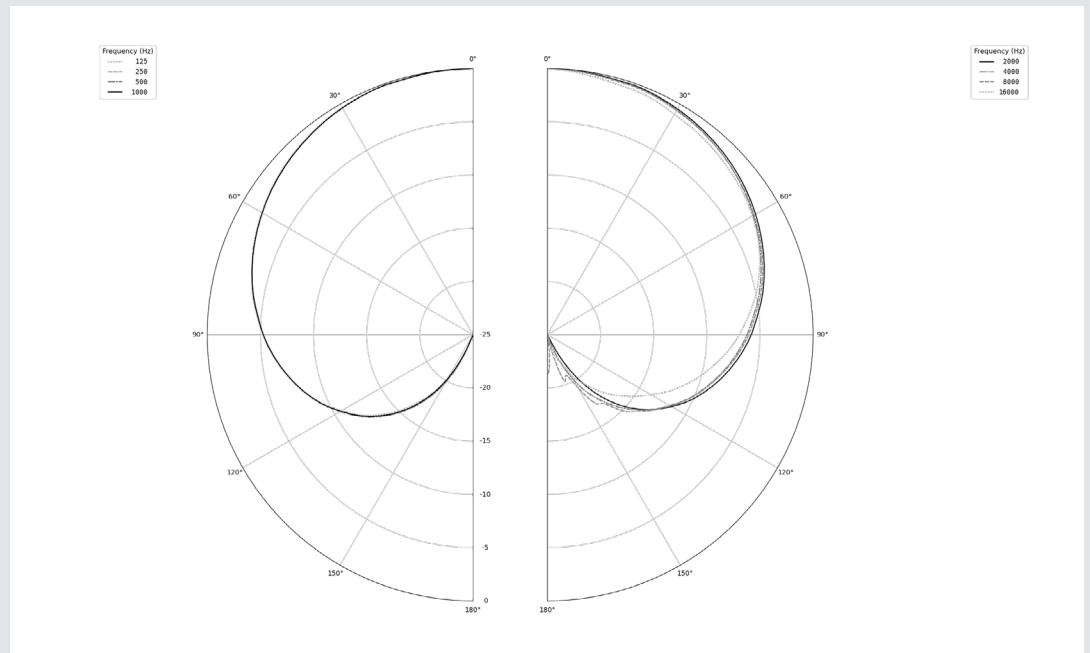
## KEY FEATURES

- Built for drum overheads, but great on all loud sources
- Designed for live stage performances but works equally well for televised productions, worship, live-streams and studio recordings
- 155 dbSPL prevents clipping from even the loudest drummers
- Designed for very high gain before feedback
- Tight cardioid polar pattern
- Balanced, vibrant and natural sound right out of the box
- Frequency response from 20Hz to 20kHz
- Designed, tuned, & assembled in the USA

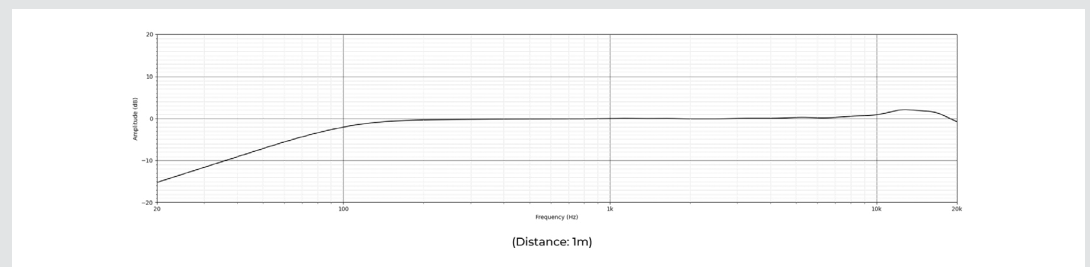
## SPECIFICATIONS

SR20SP GEN 2			
Frequency Response	20Hz - 20kHz	Power Requirements	48V, 6mA
Polar Pattern	Cardioid	Dimensions L x D (For Each Microphone)	4.14 in x 0.860 in / 105.15 mm x 21.84 mm
Maximum Acoustic Input	155 dB SPL	Color	Stainless Steel
Sensitivity	-50 dBV/Pa (3.2 mV/Pa)	Combined Weight	0.50 lbs / 0.23 Kg
Self-Noise (A-Weighted)	25 dB SPL-A	Manufacturer Part Number	SR20SP G2
Minimum Load Impedance	1kOhms	Included Accessories	2 Microphone Clips, 2 Microphone Bags, 2 Foam Windscreens

## POLAR PATTERN



## FREQUENCY RESPONSE



## WE'RE HERE TO HELP

All assets are available to download individually. [Click this link to view our folder of pre-launch assets.](#)



37 Wilton Rd. Milford, NH 03055  
(603) 654-2433  
info@earthworksaudio.com  
earthworksaudio.com

© 2024 Earthworks, Inc

**EARTHWORKS AUDIO**