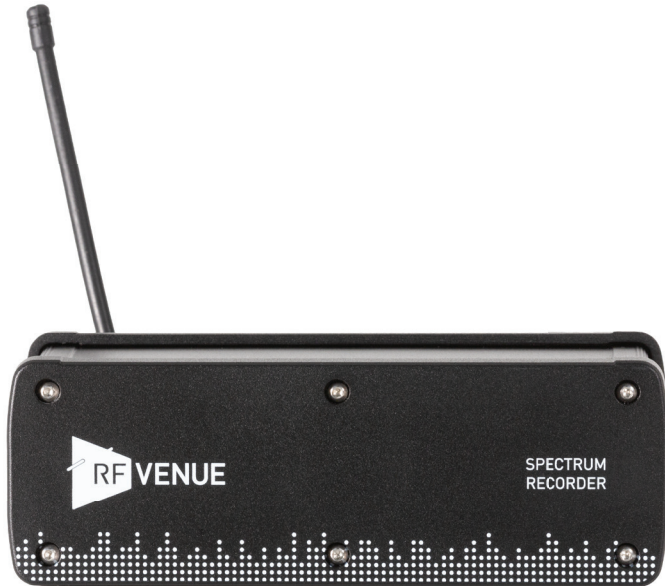


Specifications



Spectrum Recorder

RF Spectrum Data Logger for UHF Band Wireless Audio Devices





The RF Venue Spectrum Recorder, a compact and self-contained device, simplifies monitoring and optimizing wireless microphone and in-ear monitor systems. It continuously captures RF activity in the 400 – 700 MHz band, saving data as time-stamped CSV files on its internal storage. These files can be retrieved directly via USB drive or accessed remotely over a local network. Through its internal web server, the Spectrum Recorder can be operated over a network via GUI, with any web browser.

Connect Spectrum Recorder directly to your wireless microphone antenna system or use the included whip antenna to capture spectrum for a site survey before your system is installed or loaded-in. PoE capable and battery ready, the Spectrum Recorder is small and lightweight enough to easily ship to a remote location or deploy across many rooms on a fixed installation.

What's In The Box

- One Spectrum Recorder
- One UHF whip antenna
- One 5V USB-C power supply with cable

 **WARNING** 

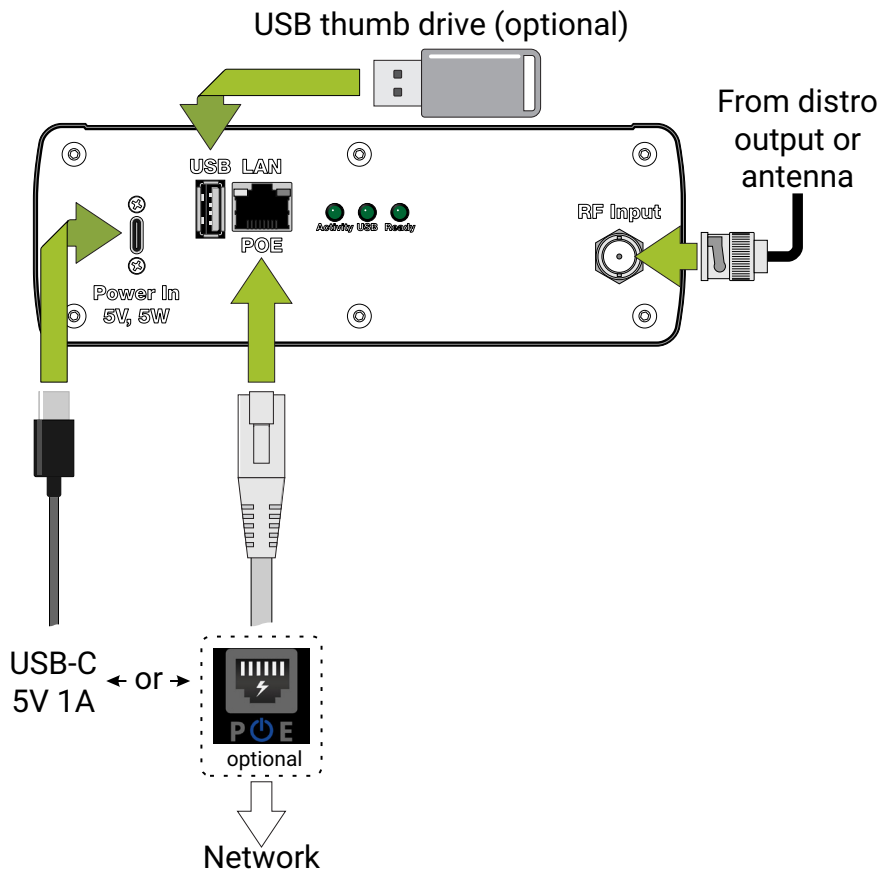
- Do not expose this appliance to heat or moisture.
- Refer all service to qualified service personnel or distributors.

CAUTION: Attempting to disassemble or modify the device may cause damage that will not be covered by warranty and/or may cause personal injury. Do not pull on cables or connectors.

Specifications	
Scan Range	400 – 700 MHz
Resolution Bandwidth	25 kHz
Impedance	50 Ω
Dynamic Range	-130 to +10 dBm
Average Noise Floor	-120 dBm
Data Port Connector	USB Type A
LAN and PoE Connector	RJ45
Power Connector	USB Type C
Power Requirement	5V DC 1 A (via USB-C) or PoE
Dimensions	178 × 61 × 87 mm / 7 × 2.4 × 3.4 In
Weight	670 g / 1.48 lb

Spectrum Recorder

Connection and deployment



Graphic User Interface (in Web browser)

