

User Manual

STRIKE **ARRAY** 4



Model ID: STRIKEARRAY4

CHAUVET
PROFESSIONAL

Edition Notes

The Strike Array 4 User Manual includes a description, safety precautions, installation, programming, operation and maintenance instructions for the Strike Array 4 as of the release date of this edition.

Trademarks

CHAUVET, the Chauvet logo and Strike Array 4 are registered trademarks or trademarks of Chauvet & Sons, LLC (d/b/a Chauvet and Chauvet Lighting) in the United States and other countries. Other company and product names and logos referred to herein may be trademarks of their respective companies.

Copyright Notice

The works of authorship contained in this manual, including, but not limited to, all design, text and images are owned by Chauvet.

© **Copyright 2021 Chauvet & Sons, LLC. All rights reserved.**

Electronically published by Chauvet in the United States of America.

Manual Use

Chauvet authorizes its customers to download and print this manual for professional information purposes only. Chauvet expressly prohibits the usage, copy, storage, distribution, modification, or printing of this manual or its content for any other purpose without written consent from Chauvet.

Document Printing

For best results, print this document in color, on letter size paper (8.5 x 11 in), double-sided. If using A4 paper (210 x 297 mm), configure the printer to scale the content accordingly.

Intended Audience

Any person installing, operating, and/or maintaining this product should completely read through the guide that shipped with the product, as well as this manual, before installing, operating, or maintaining this product.

Disclaimer

Chauvet believes that the information contained in this manual is accurate in all respects. However, Chauvet assumes no responsibility and specifically disclaims any and all liability to any party for any loss, damage or disruption caused by any errors or omissions in this document, whether such errors or omissions result from negligence, accident or any other cause. Chauvet reserves the right to revise the content of this document without any obligation to notify any person or company of such revision, however, Chauvet has no obligation to make, and does not commit to make, any such revisions. Download the latest version from www.chauvetprofessional.com.

Document Revision

This Strike Array 4 User Manual is the 2nd edition of this document. Go to www.chauvetprofessional.com for the latest version.

TABLE OF CONTENTS

1. Before You Begin	1
What Is Included	1
Claims	1
Text Conventions	1
Symbols	1
FCC Compliance	1
RF Exposure Warning for North America, and Australia	1
Safety Notes	2
Personal Safety	2
Mounting and Rigging	2
Power and Wiring	2
Operation	2
Expected LED Lifespan	2
2. Introduction	3
Description	3
Features	3
Product Overview	3
Product Dimensions	4
3. Setup	5
AC Power	5
AC Plug	5
Power Linking	5
Remote Device Management (RDM)	5
USB Software Update	5
Mounting	6
Orientation	6
Rigging	6
Procedure	6
Product Mounting Diagram	6
Multi-Product Mounting	7
Multi-Product Mounting Diagram	7
Mounting Products Attached in Series	8
Vertical Mounting Stability	9
4. Operation	10
Control Panel Description	10
Control Options	10
Programming	10
Passcode	10
Menu Map	10
Configuration (DMX)	11
Control Personalities	11
Starting Address	11
Control Channel Assignments and Values	12
10 Ch	12
6 Ch	12
5 Ch	13
4 Ch	13
3 Ch	13
1 Ch	13

Configuration (Standalone)	14
Static Color.....	14
Automatic Program	14
Configuration (Settings)	14
Red Shift	14
Master Slave	14
Dimmer Mode.....	14
Pulse Width Modulation	14
Display Back Light.....	14
Key Lock	14
Product Information.....	14
Temperature.....	14
Factory Reset.....	14
5. Maintenance.....	15
Product Maintenance	15
6. Technical Specifications	16
Returns.....	17
Contact Us	18

Before You Begin

1. Before You Begin

What Is Included

- Strike Array 4
- Seetronic Powerkon IP65 power cord
- Omega bracket with mounting hardware
- Quick Reference Guide

Claims

Carefully unpack the product immediately and check the container to make sure all the parts are in the package and are in good condition.




If the box or the contents (the product and included accessories) appear damaged from shipping, or show signs of mishandling, notify the carrier immediately, not Chauvet. Failure to report damage to the carrier immediately may invalidate your claim. In addition, keep the box and contents for inspection.

For other issues, such as missing components or parts, damage not related to shipping, or concealed damage, file a claim with Chauvet within 7 days of delivery.

Text Conventions

Convention	Meaning
1–512	A range of values
50/60	A set of values of which only one can be chosen
Settings	A menu option not to be modified
<ENTER>	A key to be pressed on the product's control panel

Symbols

Symbol	Meaning
	Critical installation, configuration, or operation information. Not following these instructions may make the product not work, cause damage to the product, or cause harm to the operator.
	Important installation or configuration information. The product may not function correctly if this information is not used.
	Useful information.



Any reference to data or power connections in this manual assumes the use of Seetronic IP rated cables.



The term “DMX” used throughout this manual refers to the USITT DMX512-A digital data transmission protocol.

FCC Compliance

This device complies with Part 15 Part B of the FCC Rules. Operation is subject to the following two conditions:

1. This device may not cause harmful interference, and
2. This device must accept any interference received, including interference that may cause undesired operation.

Any changes or modifications not expressly approved by the party responsible for compliance could void the user's authority to operate the equipment.

Safety Notes

Read all the following safety notes before working with this product. These notes contain important information about the installation, usage, and maintenance of this product.



This product contains no user-serviceable parts. Any reference to servicing in this User Manual will only apply to properly trained, certified technicians. Do not open the housing or attempt any repairs.



All applicable local codes and regulations apply to proper installation of this product.

Personal Safety

- The luminaire should be positioned so that prolonged staring into the luminaire at a distance closer than 7.5 ft (2.3 m) is not expected.
- If the external flexible cable or cord of this luminaire is damaged, it shall be replaced by a special cord or cord exclusively available from the manufacturer or his service agent.
- The light source contained in this luminaire shall only be replaced by the manufacturer or his service agent or a similar qualified person.
- The luminaire is intended for professional use only.
- Avoid direct eye exposure to the light source while the product is on.
- Always disconnect the product from the power source before cleaning or replacing the fuse.
- Always connect the product to a grounded circuit to avoid the risk of electrocution.
- Do not touch the product's housing when operating because it may be very hot.

Mounting and Rigging

- Do not submerge this product (IP65). Temporary outdoor operation is fine.
- When using this product in an outdoor environment, use IP65 (or higher) rated power and data cables. Secure unused power and data ports with attached IP65 covers.
- CAUTION: When transferring product from extreme temperature environments, (e.g., cold truck to warm, humid ballroom) condensation may form on the internal electronics of the product. To avoid causing a failure, allow product to fully acclimate to the surrounding environment before connecting it to power.
- Not for permanent outdoor installation in locations with extreme environmental conditions. This includes, but is not limited to:
 - Exposure to a marine/saline environment (within 3 miles of a saltwater body of water).
 - Locations where the normal high or low temperatures exceed the temperature ranges in this manual.
 - Locations that are prone to flooding or being buried in snow.
 - Areas where the product will be subjected to extreme radiation or caustic substances.
- Mount this product in a location with adequate ventilation, at least 20 in (50 cm) from adjacent surfaces.
- Make sure there are no flammable materials close to the product when operating.
- When hanging this product, always secure to a fastening device using a safety cable.

Power and Wiring

- Make sure the power cord is not crimped or damaged.
- Always make sure you are connecting this product to the proper voltage in accordance with the specifications in this manual or on the product's specification label.
- To eliminate unnecessary wear and improve its lifespan, during periods of non-use completely disconnect the product from power via breaker or by unplugging it.
- Never connect this product to a dimmer pack or rheostat.
- Make sure to replace the fuse with another of the same type and rating.
- Never disconnect this product by pulling or tugging on the power cable.

Operation

- Do not operate this product if there is damage on the housing, lenses, or cables. Have the damaged parts replaced by an authorized technician at once.
- Do not cover the ventilation slots when operating to avoid internal overheating.
- The maximum ambient temperature is 113 °F (45 °C). Do not operate the product at higher temperatures.
- The minimum ambient temperature is -4°F (-20°C). Do not operate the product at lower temperatures.
- In the event of a serious operation problem, stop using this product immediately!



If your Chauvet product requires service, contact Chauvet Technical Support.

Expected LED Lifespan

Over time, use and heat will gradually reduce LED brightness. Clustered LEDs produce more heat than single LEDs, contributing to shorter lifespans if always used at full intensity. The average LED lifespan is 40,000 to 50,000 hours. To extend LED lifespan, maintain proper ventilation around the product, and limit the overall intensity.

2. Introduction

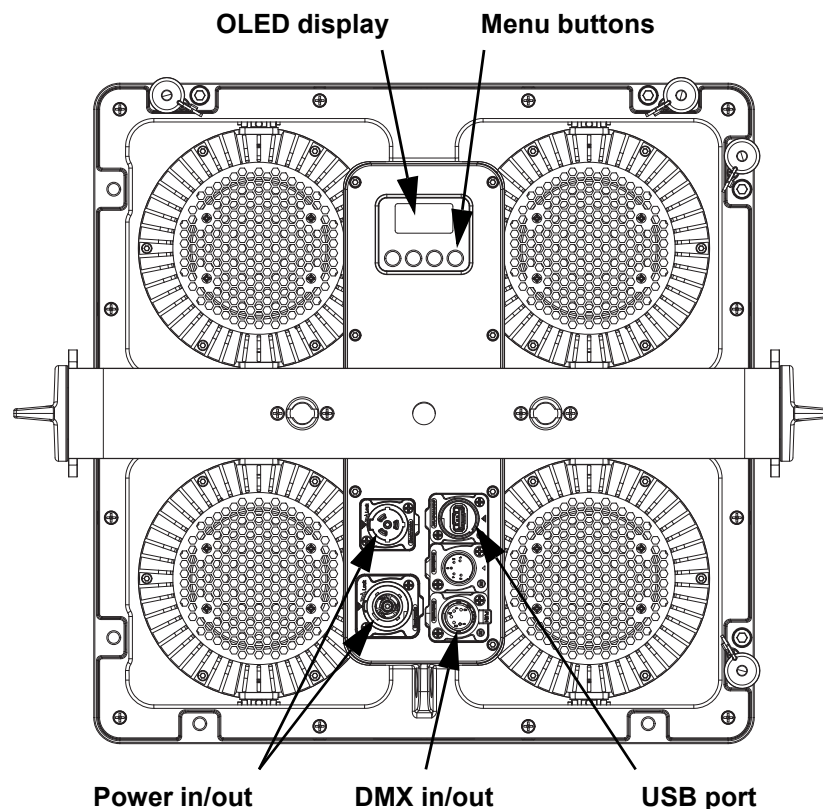
Description

The Strike Array 4 is an outdoor-ready audience blinder powered by four 100 W warm white LEDs housed in independently focusable pods. An emulated “amber shift” warms the color temperature of the light as it dims to deliver a classic tungsten look. Its variable PWM and high CRI make it ideal for broadcast applications. Thanks to a custom interlocking system, the Strike Array 4 can be interconnected with multiple Array units for scalable design configurations without any tools. Omega-Bracket locks are also installed both on the yoke and the back of the IP65 blinder to give a streamlined truss mounting process.

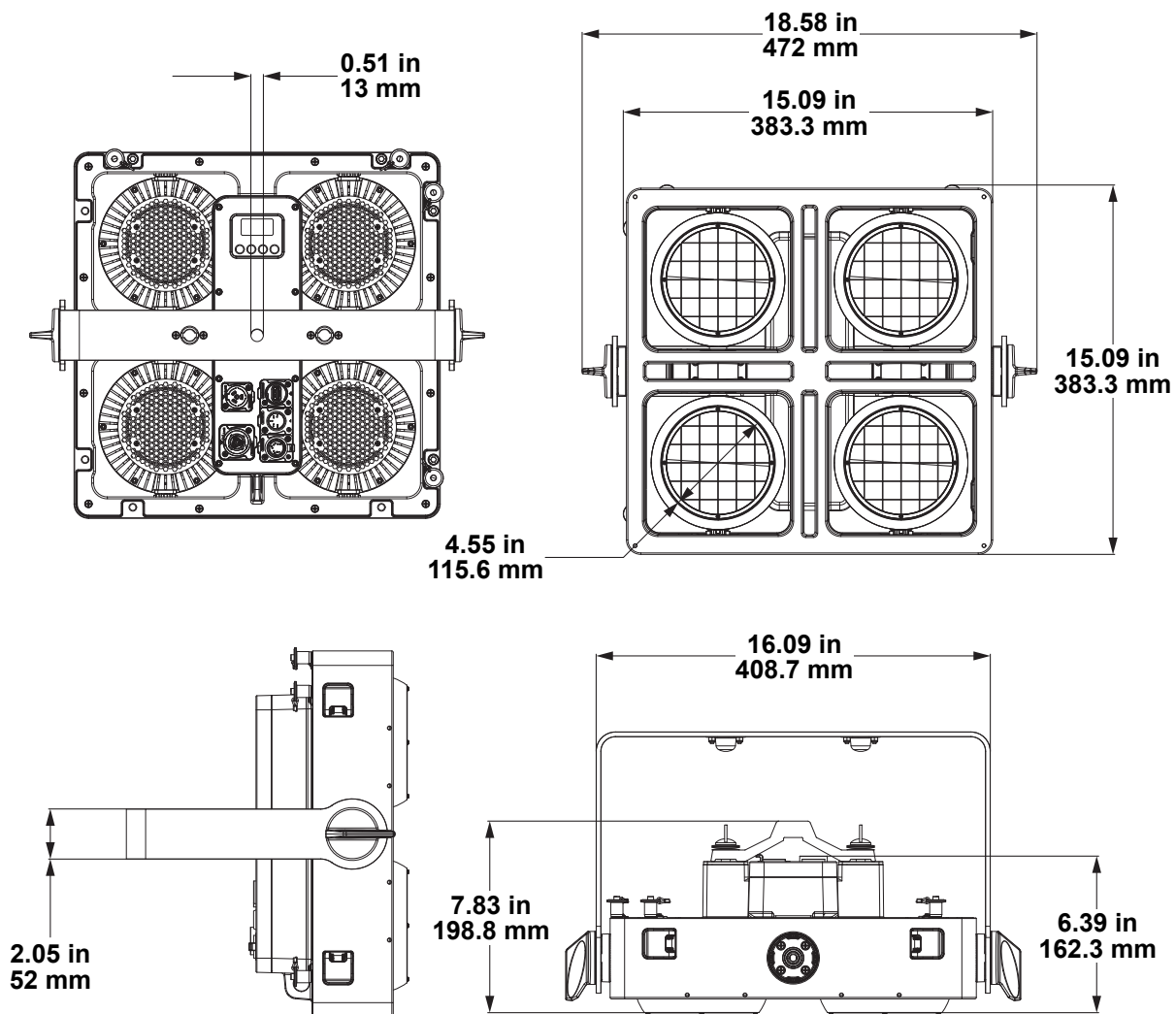
Features

- Operating modes:
 - 1 Ch (1-channel): Dimmer
 - 3 Ch (3-channel): Dimmer, red shift, dimmer speed mode
 - 4 Ch (4-channel): White 1, white 2, white 3, white 4
 - 5 Ch (5-channel): Dimmer, red shift, strobe, auto programs, dimmer speed mode
 - 6 Ch (6-channel): White 1, white 2, white 3, white 4, red shift, dimmer speed mode
 - 10 Ch (10-channel): Dimmer, 16-bit dimmer, red shift, strobe, white 1, white 2, white 3, white 4, auto programs, dimmer speed mode
- Intense 4 pod blinder/strobe rated IP65 for all-weather use
- Emulated “red shift” to mimic incandescent fixtures perfectly.
- Individual pan (or tilt depending on mount orientation) of each head to allow for directional adjustment of light output.
- Innovative interlocking system to connect multiple Strike Array 4s and Strike Array 2s together.
- Multiple mounting locations and re-positionable yoke with ¼ turn adapters for creative and convenient rigging options
- 16-bit dimming control for smooth, perfect fades
- Strobe functionality for high-impact effects on the fly
- Easy to use OLED display
- Adjustable Pulse Width Modulation (PWM) and RDM (Remote Device Management) for added flexibility

Product Overview



Product Dimensions



3. Setup

AC Power

The Strike Array 4 has an auto-ranging power supply and it can work with an input voltage range of 100 to 240 VAC, 50/60 Hz.

To determine the product's power requirements (circuit breaker, power outlet, and wiring), use the current value listed on the label affixed to the product's back panel, or refer to the product's specifications chart. The listed current rating indicates the product's average current draw under normal conditions.



- **Always connect the product to a protected circuit (a circuit breaker or fuse). Make sure the product has an appropriate electrical ground to avoid the risk of electrocution or fire.**
- **To eliminate unnecessary wear and improve its lifespan, during periods of non-use completely disconnect the product from power via breaker or by unplugging it.**



Never connect the product to a rheostat (variable resistor) or dimmer circuit, even if the rheostat or dimmer channel serves only as a 0 to 100% switch.

AC Plug

The Strike Array 4 comes with a power input cord terminated with a Seetronic Powerkon A connector on one end and an Edison plug on the other end (U.S. market). If the power input cord that came with your product has no plug, or if you need to change the plug, use the table below to wire the new plug.

Connection	Wire (U.S.)	Wire (Europe)	Screw Color
AC Live	Black	Brown	Yellow or Brass
AC Neutral	White	Blue	Silver
AC Ground	Green/Yellow	Green/Yellow	Green

Power Linking

The product supports power linking. You can power link up to 5 products at 100 V, up to 6 products at 120 V, up to 11 products at 208 V, up to 12 products at 230 V, or up to 12 products at 240 V.

This product comes with a power input cord. Power linking cables are available from Chauvet for purchase.

Remote Device Management (RDM)

Remote Device Management, or RDM, is a standard for allowing DMX-enabled devices to communicate bi-directionally along existing DMX cabling. Check the DMX controller's User Manual or with the manufacturer as not all DMX controllers have this capability. The Strike Array 4 supports RDM protocol that allows feedback to make changes to menu map options.

USB Software Update

The Strike Array 4 allows for software updates with a USB device using the built-in USB port. To update the software using a USB flash drive, do the following:

1. Power on the product, and plug the flash drive into the USB port.
2. Once the flash drive has been detected, the message "**Upgrade Firmware**" will be displayed. Press **<ENTER>**.
 - If a different message appears on the display, search for the updated software in the Main Menu (**Update Firmware**) and select from **Only This Unit**, **Multiple Units**, or **Other Fixture Type**. A list of the updated software files will be displayed.
3. Select the file that needs to be uploaded. The message "Are you sure?" will be displayed. Press **<ENTER>**.
4. If the selected file is correct, the upgrade will be completed. Restart the product.
 - If the selected file is incorrect, the upgrade will fail, and the display will go back to the main interface. Repeat steps 1-3 using the correct file.



The .chl format file needs to be placed in the "STRIKE" folder in the USB flash drive.



The "Other Fixture Type" option can only be selected for connected products compatible with the Upload 03 (the first 2 digits of the item code must be 03).

Mounting

Before mounting the product, read and follow the safety recommendations indicated in the [Safety Notes](#). For our CHAUVET Professional line of mounting clamps, go to <http://trusst.com/products/>.

Orientation

Always mount this product in a safe position, making sure there is adequate room for ventilation, configuration, and maintenance.

Rigging

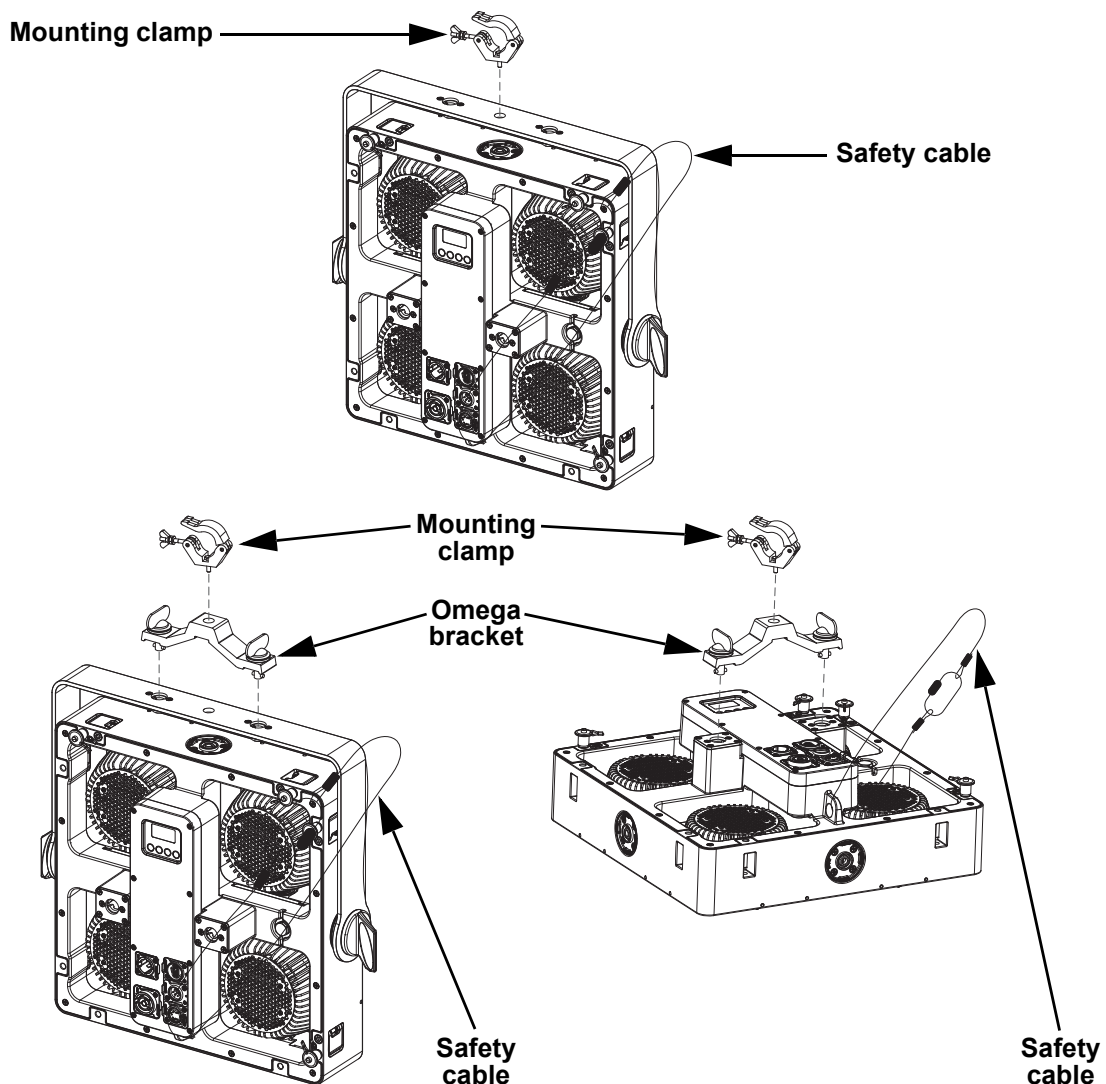
Chauvet recommends using the following general guidelines when mounting this product.

- Before deciding on a location for the product, make sure there is easy access to the product for maintenance and programming purposes.
- Make sure that the structure onto which you are mounting the product can support the product's weight. See the [Technical Specifications](#) for weight information.
- When mounting the product overhead, always use a safety cable. Mount the product securely to a rigging point, whether an elevated platform or a truss.
- When rigging the product onto a truss, use a mounting clamp of appropriate weight capacity.

Procedure

The Strike Array 4 comes with a bracket to which you can attach a mounting clamp directly. Mounting clamps are sold separately. Make sure the clamps are capable of supporting the weight of this product. Use at least two mounting points per product. For the CHAUVET Professional line of mounting clamps, go to <http://www.trusst.com/products>.

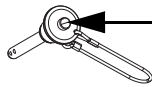
Product Mounting Diagram



Multi-Product Mounting

The Strike Array 4 has an interlocking system to connect multiple Strike Array 4 or Strike Array 2 products together, vertically or horizontally. Make sure the mounting clamps are capable of supporting the weight of the product. For our Chauvet line of mounting clamps, go to <http://trusst.com/productcategory/truss-clamps/>.

Multi-Product Mounting Diagram

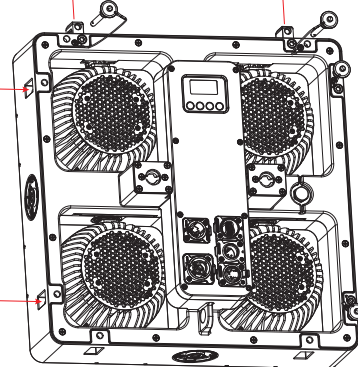
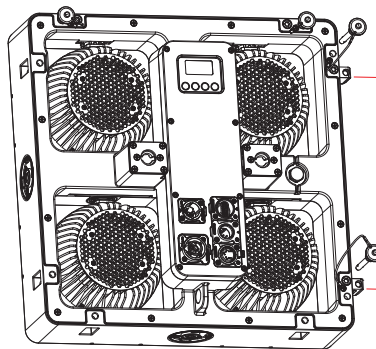
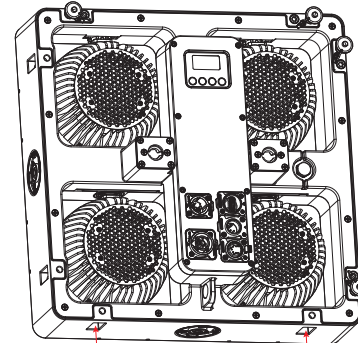
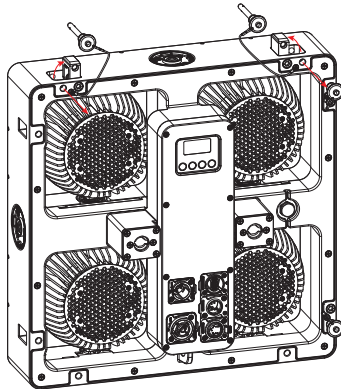


Latch button

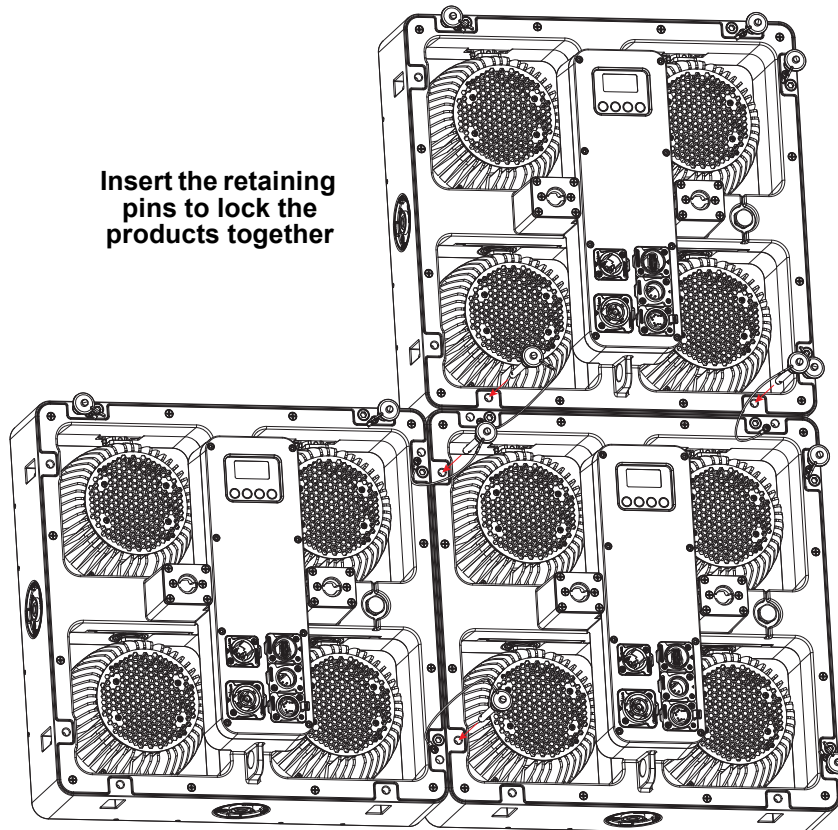
Press and hold the latch button to remove or insert the retaining pins

Remove the retaining pins to release the integrated hanging hardware

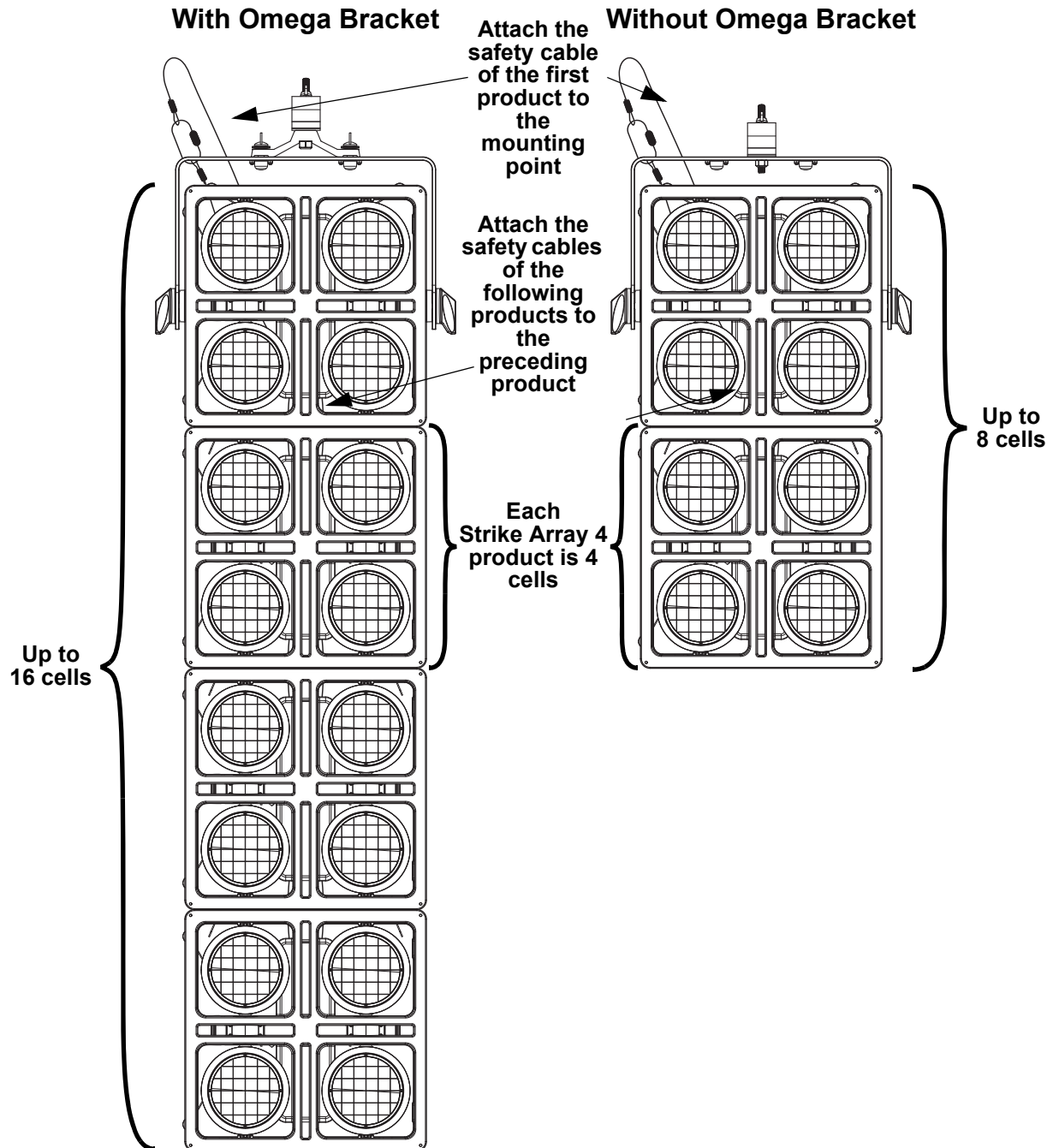
Insert the integrated hanging hardware into the opening of the next product (vertically or horizontally)



Insert the retaining pins to lock the products together



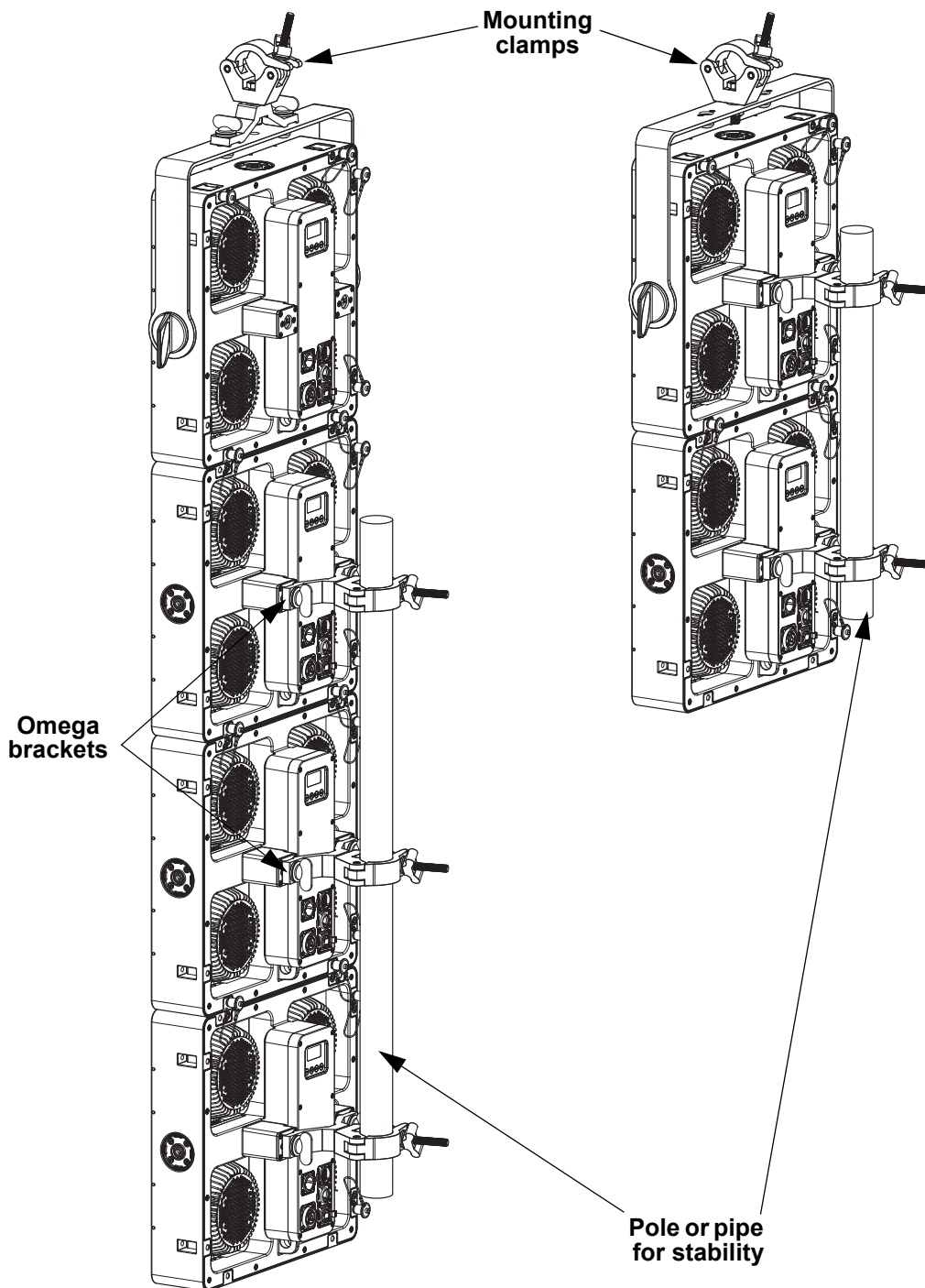
Mounting Products Attached in Series



- When using the omega bracket, never hang more than 16 cells vertically from a single mounting point.
- When not using the omega bracket, never hang more than 8 cells vertically from a single mounting point.

Vertical Mounting Stability

When mounting products attached in series, use omega brackets in the back position to create a spine. This will prevent any motion which may damage the products.



4. Operation

Control Panel Description

Button	Function
<MENU>	Exits from the current menu or function
<UP>	Enables the selected menu or sets the selected value in to the current function
<DOWN>	Navigates upward through the menu list or increases the numeric value when in a function
<ENTER>	Navigates downward through the menu list or decreases the numeric value when in a function

Control Options

Set the Strike Array 4 starting address in the 001–512 DMX range. This enables control of up to 64 products in the 8-channel **8 Ch** personality.

Programming

Refer to the Menu Map to understand the menu options. The menu map shows the main level and a variable number of programming levels for each option.

- To go to the desired main level, press <MENU> repeatedly until the option shows on the display. Press <ENTER> to select. This will take you to the first programming level for that option.
- To select an option or value within the current programming level, press <UP> or <DOWN> until the option shows on the display. Press <ENTER> to select. In this case, if there is another programming level, you will see that first option, or you will see the selected value.
- Press <MENU> repeatedly to exit to the previous main level.

Passcode

After being prompted to enter the passcode, press <UP>, <DOWN>, <UP>, <DOWN>, <ENTER>.

Menu Map

Refer to the Strike Array 4 product page on www.chauvetprofessional.com for the latest menu map.

Main Level	Programming Levels		Description	
Start Address	001–512*		Selects starting address (*highest channel restricted to personality chosen)	
	1 Ch		1-channel: Dimmer	
	3 Ch		3-channel: Dimmer, red shift, dimmer speed mode	
	4 Ch		4-channel: White 1, white 2, white 3, white 4	
	5 Ch		5-channel: Dimmer, red shift, strobe, auto programs, dimmer speed mode	
	6 Ch		6-channel: White 1, white 2, white 3, white 4, red shift, dimmer speed mode	
DMX Channel	10 Ch		10-channel: Dimmer, 16-bit dimmer, red shift, strobe, white 1, white 2, white 3, white 4, auto programs, dimmer speed mode	
	Static	Dimmer	000–255	Sets the intensity of the output
		Strobe		Selects the strobe frequency
	Auto Show	Auto 1–6	Speed 001–100	Selects automatic programs and auto program speed
	Red Shift	On		Enables/disables red shift (amber LEDs imitate lamp when dimming)
Off				
Master/Slave	Master		Master mode	
	Slave		Slave mode	
	Off		Linear dimmer	
Dimmer Mode	Dimmer 1		Fast dimmer curve	
	Dimmer 2		Medium dimmer curve	
	Dimmer 3		Slow dimmer curve	
LED Frequency	600Hz		Selects the PWM output frequency	
	1200Hz			
	2000Hz			
	4000Hz			
	25KHz			

Operation

Main Level	Programming Levels		Description
Back Light	10S		Turns off display backlight after 10 seconds of inactivity
	30S		Turns off display backlight after 30 seconds of inactivity
	2Min		Turns off display backlight after 2 minutes of inactivity
	Always On		Display backlight always on
Key Lock	On		Locks display (password: <UP>, <DOWN>, <UP>, <DOWN>, <ENTER>)
	Off		
Information	Fixture Hours	___ H	Shows total hours the product has been powered on
	LED Hours	___ H	Shows the total hours the LED lights have been on
	Version	V_._	Shows installed software version
	UID	-----	Shows product UID
Temperature	LED1:	__ °C	Individual pod temperature
	LED2:		
	LED3:		
	LED4:		
Update Firmware	Only This Unit	_____.CHL ...	Selects an update file for this product, or shows “No such file!”
	Multiple Units	_____.CHL ...	Selects an update file for this and connected Strike Array 4 products, or shows “No such file!”
		Other Fixture Type	_____.CHL ...
Factory Reset	No		Reset to factory defaults
	Yes		



The “Other Fixture Type” option under Update Firmware can only be selected for connected products compatible with the Upload 03 (the first 2 digits of the item code must be 03).

Configuration (DMX)

Use control configurations to operate the product with a DMX controller.

Control Personalities

To set the control personality:

1. Go to the **DMX Channel** main level.
2. Select the desired personality, from **1 Ch, 3 Ch, 4 Ch, 5 Ch, 6 Ch, 10 Ch**.
 - See the [Starting Address](#) section for the highest starting address you can select for each personality.
 - Make sure that the starting addresses on the various products do not overlap due to the new personality setting.



Starting Address

Each product will respond to a unique starting address from the controller. All products with the same starting address will respond in unison. To set the starting address:

1. Go to the **Start Address** main level.
2. Select the starting address (**1–512**).
 - The highest recommended starting address for **1 Ch** is **512**.
 - The highest recommended starting address for **3 Ch** is **510**.
 - The highest recommended starting address for **4 Ch** is **509**.
 - The highest recommended starting address for **5 Ch** is **508**.
 - The highest recommended starting address for **6 Ch** is **507**.
 - The highest recommended starting address for **10 Ch** is **503**.

Control Channel Assignments and Values

10 Ch

Channel	Function	Value	Percent/Setting
1	Dimmer	000 ⇔ 255	0–100%
2	Dimmer Fine	000 ⇔ 255	0–100%
3	Red Shift	000 ⇔ 000	On
		001 ⇔ 255	Off
4	Strobe	000 ⇔ 010	No function
		011 ⇔ 132	Strobe, slow to fast (all pods)
		133 ⇔ 255	Strobe, slow to fast (random strobe macros)
5	White 1	000 ⇔ 255	0–100%
6	White 2	000 ⇔ 255	0–100%
7	White 3	000 ⇔ 255	0–100%
8	White 4	000 ⇔ 255	0–100%
9	Auto Programs	000 ⇔ 010	No function
		011 ⇔ 040	Auto 1 (slow to fast)
		041 ⇔ 080	Auto 2 (slow to fast)
		081 ⇔ 120	Auto 3 (slow to fast)
		121 ⇔ 160	Auto 4 (slow to fast)
		161 ⇔ 200	Auto 5 (slow to fast)
		201 ⇔ 240	Auto 6 (slow to fast)
241 ⇔ 255	No function		
10	Dimmer Speed Mode*	000 ⇔ 051	Current dimmer speed mode
		052 ⇔ 101	Dimmer speed mode off (linear dimmer)
		102 ⇔ 152	Dimmer speed mode 1 (fastest)
		153 ⇔ 203	Dimmer speed mode 2
		204 ⇔ 255	Dimmer speed mode 3 (slowest)



*Hold desired dimmer speed value for 3 seconds, then release. This changes the dimmer speed setting in the menu.

6 Ch

Channel	Function	Value	Percent/Setting
1	White 1	000 ⇔ 255	0–100%
2	White 2	000 ⇔ 255	0–100%
3	White 3	000 ⇔ 255	0–100%
4	White 4	000 ⇔ 255	0–100%
5	Red Shift	000 ⇔ 000	On
		001 ⇔ 255	Off
6	Dimmer Speed Mode*	000 ⇔ 051	Current dimmer speed mode
		052 ⇔ 101	Dimmer speed mode off (linear dimmer)
		102 ⇔ 152	Dimmer speed mode 1 (fastest)
		153 ⇔ 203	Dimmer speed mode 2
		204 ⇔ 255	Dimmer speed mode 3 (slowest)



*Hold desired dimmer speed value for 3 seconds, then release. This changes the dimmer speed setting in the menu.

Operation

5 Ch

Channel	Function	Value	Percent/Setting
1	Dimmer	000 ⇔ 255	0–100%
2	Red Shift	000 ⇔ 000	On
		001 ⇔ 255	Off
3	Strobe	000 ⇔ 010	No function
		011 ⇔ 132	Strobe, slow to fast (all pods)
		133 ⇔ 255	Strobe, slow to fast (random strobe macros)
4	Auto Programs	000 ⇔ 010	No function
		011 ⇔ 040	Auto 1 (slow to fast)
		041 ⇔ 080	Auto 2 (slow to fast)
		081 ⇔ 120	Auto 3 (slow to fast)
		121 ⇔ 160	Auto 4 (slow to fast)
		161 ⇔ 200	Auto 5 (slow to fast)
		201 ⇔ 240	Auto 6 (slow to fast)
241 ⇔ 255	No function		
5	Dimmer Speed Mode*	000 ⇔ 051	Current dimmer speed mode
		052 ⇔ 101	Dimmer speed mode off (linear dimmer)
		102 ⇔ 152	Dimmer speed mode 1 (fastest)
		153 ⇔ 203	Dimmer speed mode 2
		204 ⇔ 255	Dimmer speed mode 3 (slowest)



*Hold desired dimmer speed value for 3 seconds, then release. This changes the dimmer speed setting in the menu.

4 Ch

Channel	Function	Value	Percent/Setting
1	White 1	000 ⇔ 255	0–100%
2	White 2	000 ⇔ 255	0–100%
3	White 3	000 ⇔ 255	0–100%
4	White 4	000 ⇔ 255	0–100%

3 Ch

Channel	Function	Value	Percent/Setting
1	Dimmer	000 ⇔ 255	0–100%
2	Red Shift	000 ⇔ 000	On
		001 ⇔ 255	Off
3	Dimmer Speed Mode*	000 ⇔ 051	Current dimmer speed mode
		052 ⇔ 101	Dimmer speed mode off (linear dimmer)
		102 ⇔ 152	Dimmer speed mode 1 (fastest)
		153 ⇔ 203	Dimmer speed mode 2
		204 ⇔ 255	Dimmer speed mode 3 (slowest)



*Hold desired dimmer speed value for 3 seconds, then release. This changes the dimmer speed setting in the menu.

1 Ch

Channel	Function	Value	Percent/Setting
1	Dimmer	000 ⇔ 255	0–100%

Configuration (Standalone)

Static Color

To run the Strike Array 4 on a static setting:

1. Go to the **Static** main level.
2. Select from **Dimmer** or **Strobe**.
3. Increase or decrease the value from **000–255**.

Automatic Program

To run an automatic program:

1. Go to the **Auto Show** main level.
2. Select from **Auto 1–6**.
3. Increase or decrease the **Speed** from **001–100**.

Configuration (Settings)

Red Shift

With red shift enabled, the amber LEDs will dim on an inverse curve to imitate a lamp. To enable or disable the red shift function:

1. Go to the **Red Shift** main level.
2. Select from **On** or **Off**.

Master Slave

To set the Strike Array 4 product to master or slave mode:

1. Go to the **Master/Slave** main level.
2. Select from **Master** (sends control signal) or **Slave** (receives control signal).
 - **Configure all the slave products before connecting the master to the daisy chain.**
 - **Never connect a DMX controller to a DMX string configured for Master/Slave operation because the controller may interfere with the signals from the master.**
 - **Do not connect more than 31 slaves to the master.**



Dimmer Mode

To select the dimmer mode:

1. Go to the **Dimmer Mode** main level.
2. Select from **Off** (linear dimmer) or **Dimmer 1–3** (fast to slow).

Pulse Width Modulation

To set the PWM frequency:

1. Go to the **LED Frequency** main level.
2. Select from **600Hz**, **1200Hz**, **2000Hz**, **4000Hz**, or **25KHz**.

Display Back Light

To select how long a period of inactivity before the display automatically turns off:

1. Go to the **Back Light** main level.
2. Select from **10S** (10 seconds), **30S** (30 seconds), **2Min** (2 minutes), or **Always On**.

Key Lock

To lock or unlock the control panel:

1. Go to the **Settings** main level.
2. Select the **Key Lock** option.
3. Select **On** (locks control panel) or **Off** (control panel stays unlocked).



When the key lock is activated, the product will prompt for the passcode in order to access the menu. The passcode is <UP>, <DOWN>, <UP>, <DOWN>, <ENTER>.

Product Information

To view the product information, go to the **Information** main level.

Temperature

To view the temperature (in °C) of the LED pods, go to the **Temperature** main level.

Factory Reset

To reset the product to factory default settings:

1. Go to the **Factory Reset** main level.
2. Select from **No** (cancel) or **Yes** (reset).

5. Maintenance

Product Maintenance

Dust build-up reduces light output performance and can cause overheating. This can lead to reduction of the light source's life and/or mechanical wear. To maintain optimum performance and minimize wear, clean your lighting products at least twice a month. However, be aware that usage and environmental conditions could be contributing factors to increase the cleaning frequency.

To clean the product, follow the instructions below:

1. Unplug the product from power.
2. Wait until the product is at room temperature.
3. Use a vacuum (or dry compressed air) and a soft brush to remove dust collected on the external surface/vents.
4. Clean all transparent surfaces with a mild soap solution, ammonia-free glass cleaner, or isopropyl alcohol.
5. Apply the solution directly to a soft, lint free cotton cloth or a lens cleaning tissue.
6. Softly drag any dirt or grime to the outside of the transparent surface.
7. Gently polish the transparent surfaces until they are free of haze and lint.



Always dry the transparent surfaces carefully after cleaning them.

6. Technical Specifications

Dimensions and Weight

Length	Width	Height	Weight
18.5 in (470 mm)	16.7 in (425.5 mm)	6.3 in (161 mm)	28.7 lb (13 kg)

Note: Dimensions in inches are rounded.

Power

Power Supply Type	Range	Voltage Selection
Switching (internal)	100 to 240 VAC, 50/60 Hz	Auto-ranging

Parameter	100 V, 60 Hz	120 V, 60 Hz	208 V, 60 Hz	230 V, 50 Hz	240 V, 50 Hz
Consumption	243 W	241 W	244 W	245 W	247 W
Operating Current	2.44 A	2.01 A	1.18 A	1.07 A	1.03 A
Power linking current (products)	13.6 A (6 products)	13.6 A (6 products)	13.6 A (11 products)	13.6 A (12 products)	13.6 A (12 products)

Power I/O	U.S./Worldwide	UK/Europe
Power Input Connector	Seetronic Powerkon IP65	Seetronic Powerkon IP65
Power Output Connector	Seetronic Powerkon IP65	Seetronic Powerkon IP65
Power Cord plug	Edison (U.S.)	Local Plug

Light Source

Type	Color	Quantity	Power	Current	Lifespan
LED	Warm white	192	1.33 W	0.709 A	50,000 hours
LED	Amber	20	1.92 W	0.758 A	50,000 hours

Photometrics

Beam Angle	Field Angle	Illuminance @ 5 m
61.5°	100.5°	684 lux

Thermal

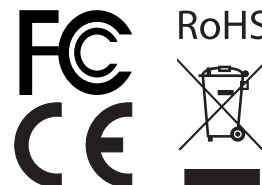
Ambient Temperature Range	Cooling System
-4 °F to 113 °F (-20 °C to 45 °C)	Convection

DMX

I/O Connector	Channel Range
5-pin XLR	1, 3, 4, 5, 6, or 10

Ordering

Product Name	Item Name	Item Code	UPC Number
Strike Array 4	STRIKEARRAY4	03051714	781462220624



Returns

Returns

Send the product prepaid, in the original box, and with the original packing and accessories. Chauvet will not issue call tags.

Call Chauvet and request a Return Merchandise Authorization (RMA) number before shipping the product. Be prepared to provide the model number, serial number, and a brief description of the cause(s) for the return.

To submit a service request online, go to www.chauvetprofessional.com/service-request.

Clearly label the package with an RMA number. Chauvet will refuse any product returned without an RMA number.



Write the RMA number on a properly affixed label. DO NOT write the RMA number directly on the box.

Before sending the product, clearly write the following information on a piece of paper and place it inside the box:

- Your name
- Your address
- Your phone number
- RMA number
- A brief description of the problem

Be sure to pack the product properly. Any shipping damage resulting from inadequate packaging will be your responsibility. FedEx packing or double-boxing are recommended.



Chauvet reserves the right to use its own discretion to repair or replace returned product(s).

Contact Us

General Information	Technical Support
Chauvet World Headquarters	
Address: 5200 NW 108th Ave. Sunrise, FL 33351 Voice: (954) 577-4455 Fax: (954) 929-5560 Toll Free: (800) 762-1084	Voice: (844) 393-7575 Fax: (954) 756-8015 Email: chauvetcs@chauvetlighting.com Website: www.chauvetprofessional.com
Chauvet Europe Ltd	
Address: Unit 1C Brookhill Road Industrial Estate Pinxton, Nottingham, UK NG16 6NT Voice: +44 (0) 1773 511115 Fax: +44 (0) 1773 511110	Email: UKtech@chauvetlighting.eu Website: www.chauvetprofessional.eu
Chauvet Europe BVBA	
Address: Stokstraat 18 9770 Kruishoutem Belgium Voice: +32 9 388 93 97	Email: BNLtech@chauvetlighting.eu Website: www.chauvetprofessional.eu
Chauvet France	
Address: 3, Rue Ampère 91380 Chilly-Mazarin France Voice: +33 1 78 85 33 59	Email: FRtech@chauvetlighting.fr Website: www.chauvetprofessional.eu
Chauvet Germany	
Address: Bruno-Bürgerl-Str. 11 28759 Bremen Germany Voice: +49 421 62 60 20	Email: DEtech@chauvetlighting.de Website: www.chauvetprofessional.eu
Chauvet Mexico	
Address: Av. de las Partidas 34 - 3B (Entrance by Calle 2) Zona Industrial Lerma Lerma, Edo. de México, CP 52000 Voice: +52 (728) 690-2010	Email: servicio@chauvet.com.mx Website: www.chauvetprofessional.mx

Visit the applicable website above to verify our contact information and instructions to request support. Outside the U.S., U.K., Ireland, Benelux, France, Germany, or Mexico, contact the dealer of record.