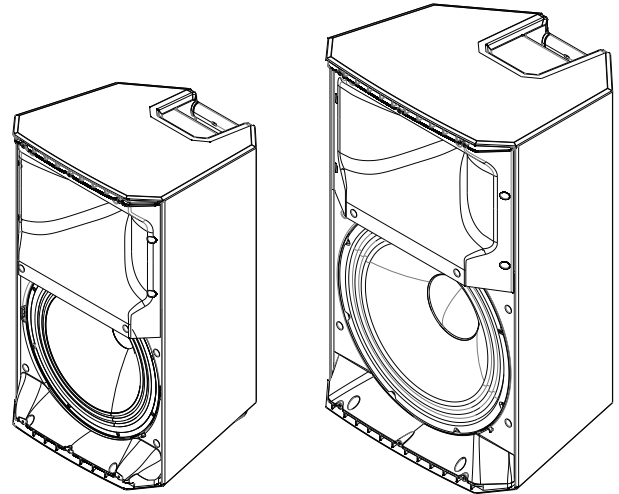


# ZLX-12 and ZLX-15 Two-Way Passive Loudspeaker



- 12 inch woofer for low-end punch in a compact enclosure and 1.5 inch high-frequency titanium compression driver.
- 15 inch woofer for extended low-frequency response and 1.5 inch high-frequency titanium compression driver.
- Durable composite construction with innovative hi/lo grip design for easy pole mounting.
- Exclusive split-baffle design for superior driver time alignment.



ZLX models cut through the competition with the most complete and innovative package of features in their class—all of which work together to make it quicker and easier than ever to take control of your sound, whatever the gig. When choosing a loudspeaker, it’s always wise to ask “What’s inside the box?” Then take a listen and hear the EV difference for yourself. Featuring custom drivers housed in an innovative new cabinet design, the two compact and versatile ZLX models make EV’s renowned sound quality and rugged reliability more accessible than ever before. A compact and versatile loudspeaker featuring EV-engineered drivers in a rugged enclosure. Whether pole-mounted or used as a floor monitor, ZLX delivers stunning sonic impact and intelligibility—the legendary “EV Sound” the pros trust.

## Technical specifications

Model	ZLX-12	ZLX-15
Frequency Response:	82 Hz – 18 kHz <sup>1</sup>	56 Hz – 18 kHz <sup>1</sup>
Frequency Range:	55 Hz – 20 kHz	44 Hz – 20 kHz
Axial Sensitivity:	95 dB	96 dB

Maximum SPL:	125 dB	126 dB
Recommended HP Frequency:	40 Hz	
Coverage (Hort. x Vert.):	90° x 60°	
Power Handling:	250 Watts Continuous, 1000 Watts Peak	
LF Transducer:	EVS-12K, 300 mm (12 in) Woofer	EVS-15L, 380 mm (15 in) Woofer
HF Transducer:	DH-1K	
Crossover Frequency:	2.1 kHz	1.7 kHz
Nominal Impedance:	8 Ω	
Minimum Impedance:	7 Ω	
Connectors:	Dual NL4	
Enclosure:	Polypropylene	
Grille:	18 Gauge Steel with Black Powder Coat	
Dimensions (H x W x D):	610 mm x 356 mm x 356 mm (24 in x 14 in x 14 in)	685 mm x 423 mm x 383 mm (27 in x 17 in x 15 in)

## 2 | ZLX-12 and ZLX-15 Two-Way Passive Loudspeaker

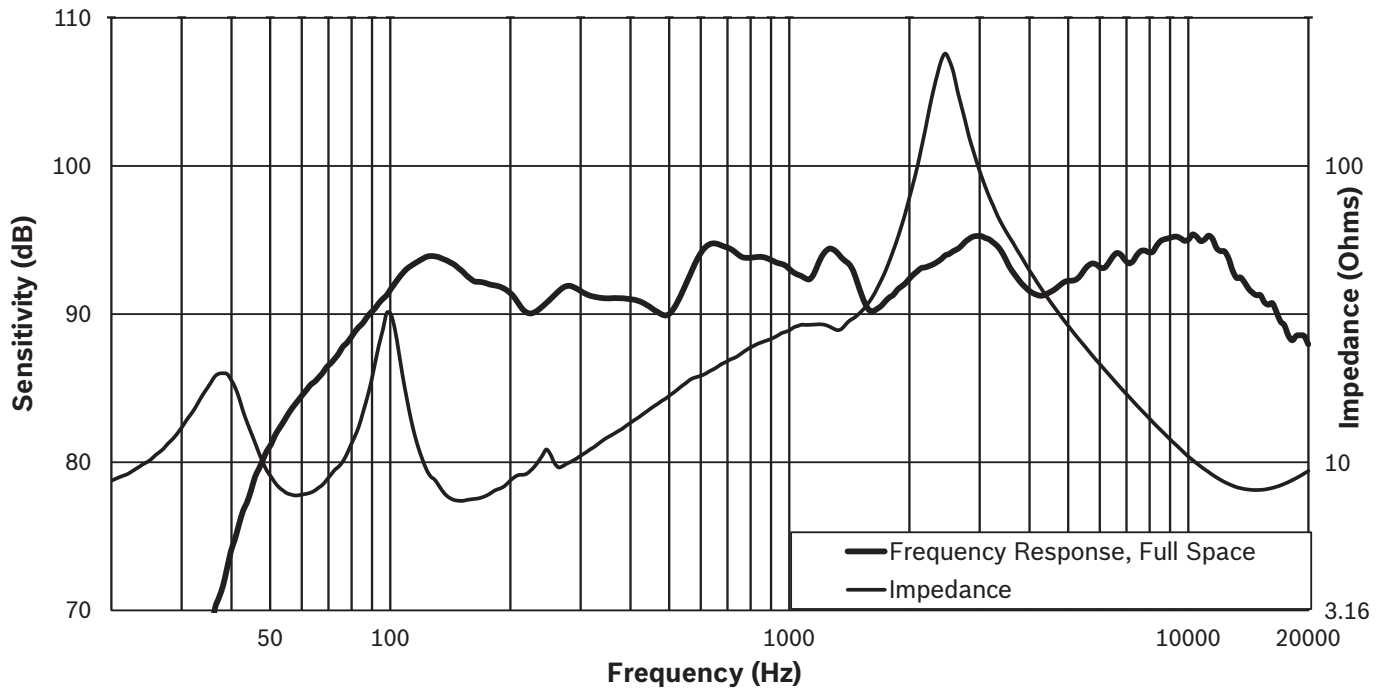
Net Weight:	14.9 kg (32.8 lb)	16.6 kg (36.5 lb)
Shipping Weight:	18.0 kg (39.6 lb)	22.0 kg (48.3 lb)

1. Full Space Measurement, will have low frequency extension when mounted on floor or wall.

### System overview

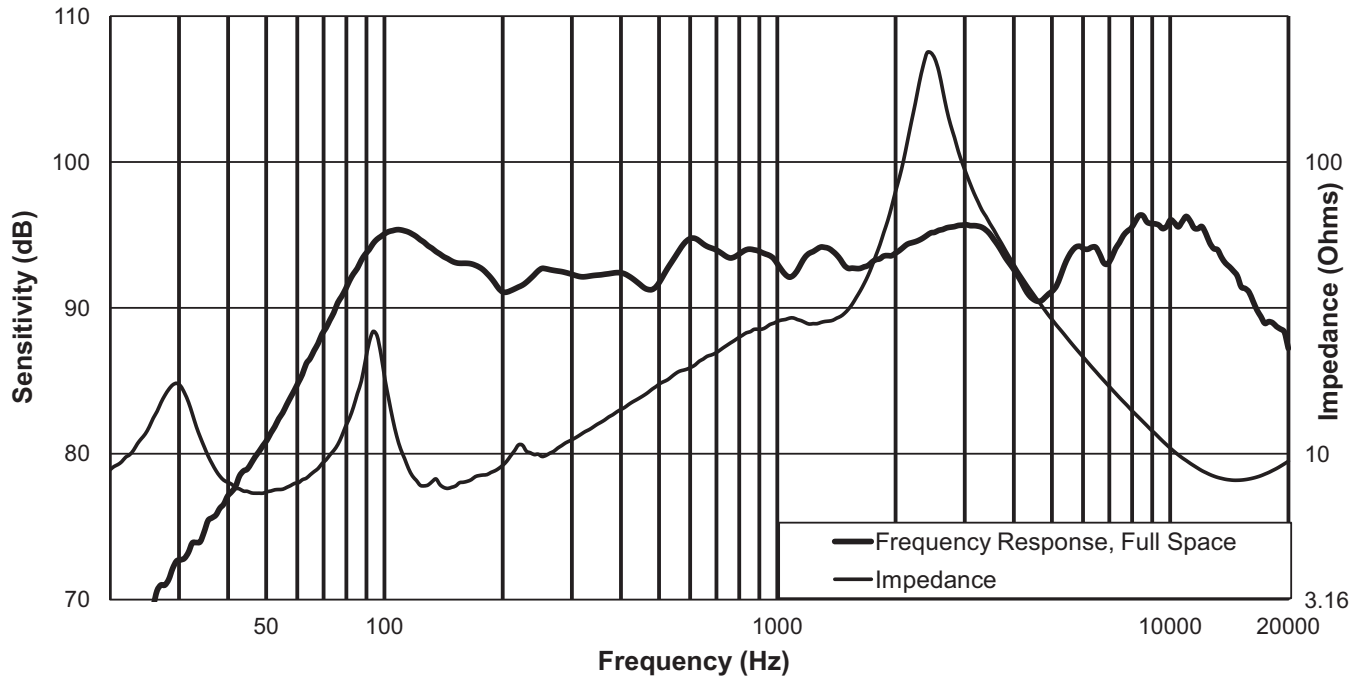
#### Frequency Response:

ZLX-12



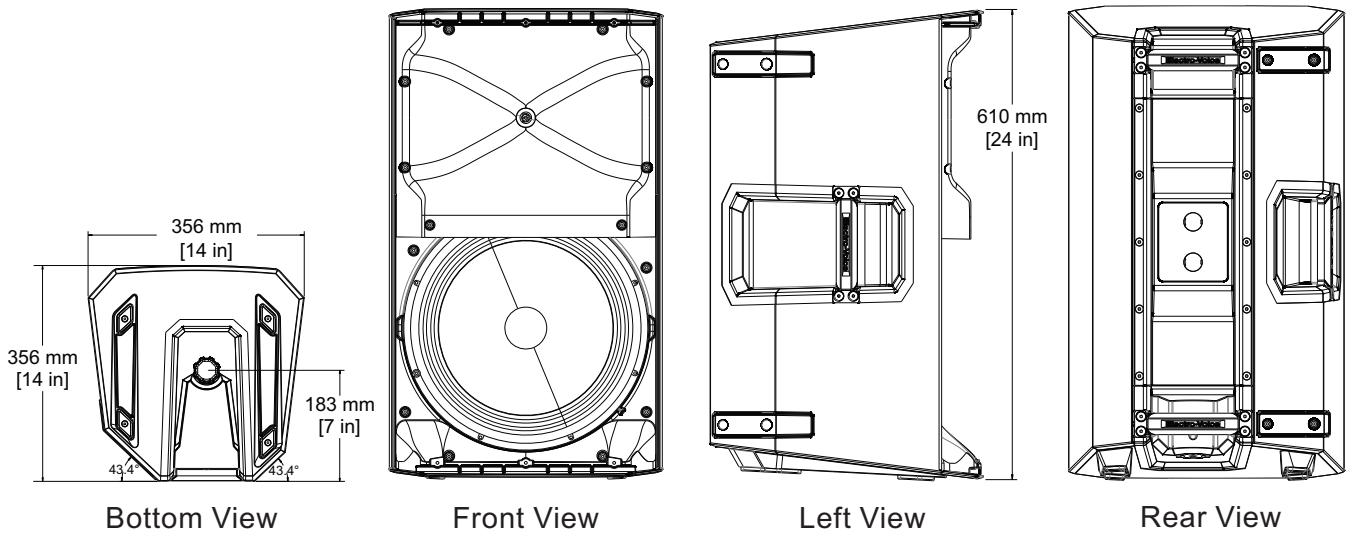
ZLX-15

3 | ZLX-12 and ZLX-15 Two-Way Passive Loudspeaker

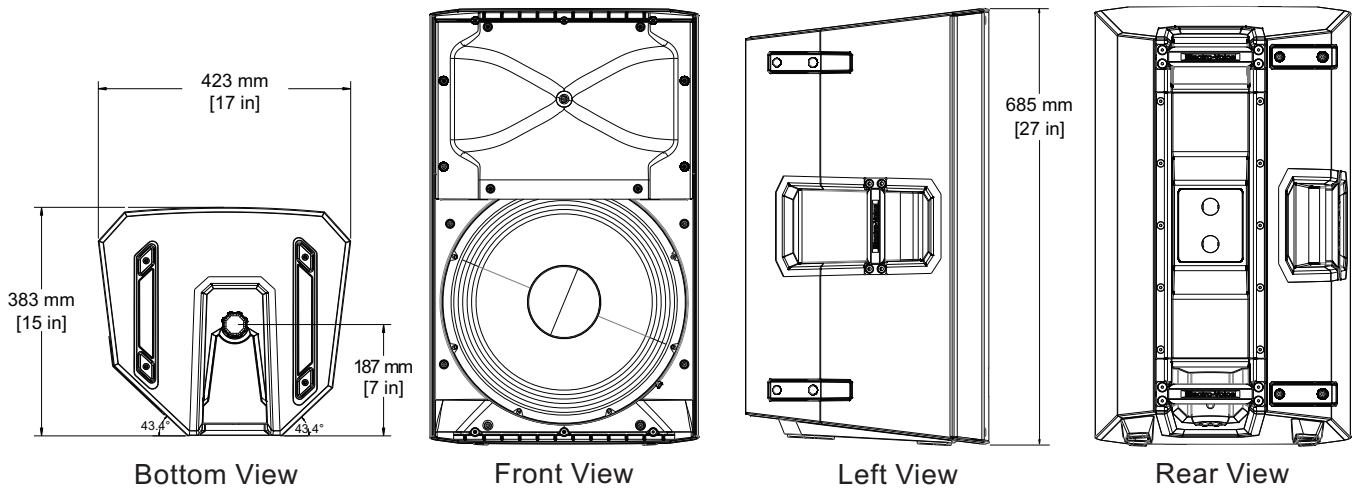


Dimension Drawings:

ZLX-12



ZLX-15



**Notice**

This loudspeaker should be suspended overhead only in accordance with the procedures and limitations specified in the User's Manual and possible manual update notices. This system should be suspended with certified rigging hardware by an authorized rigging professional and in compliance with local, state, and federal overhead suspension ordinances.

**Ordering information**

**ZLX-12 12" Two-Way Passive Loudspeaker**

Order number **ZLX-12**

**ZLX-15 15" Two-Way Passive Loudspeaker**

Order number **ZLX-15**

**Accessories**

**ZLX-BRKT ZLX Wall Mount Bracket**

Order number **ZLX-BRKT**

**ZLX-12-CVR ZLX Padded Cover for ZLX-12/P-EV Logo**

Order number **ZLX-12-CVR**

**ZLX-15-CVR ZLX Padded Cover for ZLX-15/P-EV Logo**

Order number **ZLX-15-CVR**

Represented by:

**Americas:**

Bosch Security Systems, Inc.  
12000 Portland Avenue South  
Burnsville MN 55337  
USA

[www.electrovoice.com](http://www.electrovoice.com)