

## ACCESSORIES

### Model AMS-XLF

#### XLR 3-Pin Female Jack

#### Terminal block connections

- Mounts in D-Style Standard Cutouts
- Mounts in all AMS Mounting Frames
- Mounts in RDL Decora-Style Wall Plates
- Availability of a Wide Variety of Associated AMS Accessories
- Provides Flexibility for Connections and Controls



The AMS SYSTEM is a versatile product group from Radio Design Labs. The unique design allows the associated AMS accessories to mount into any standard RDL RACK-UP® or HALF-RACK mounting opening as well as other RDL mounting accessories and enclosures. These optionally available RDL rack mount, wall mount and countertop enclosures make the AMS SYSTEM accessories useful in a wide variety of installations.

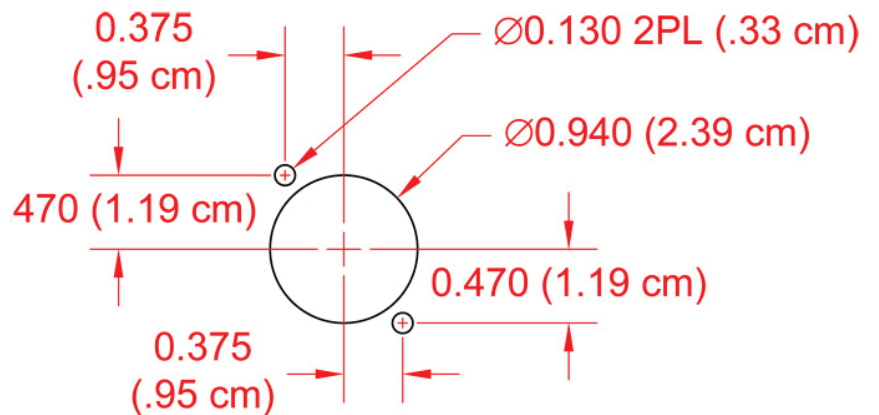
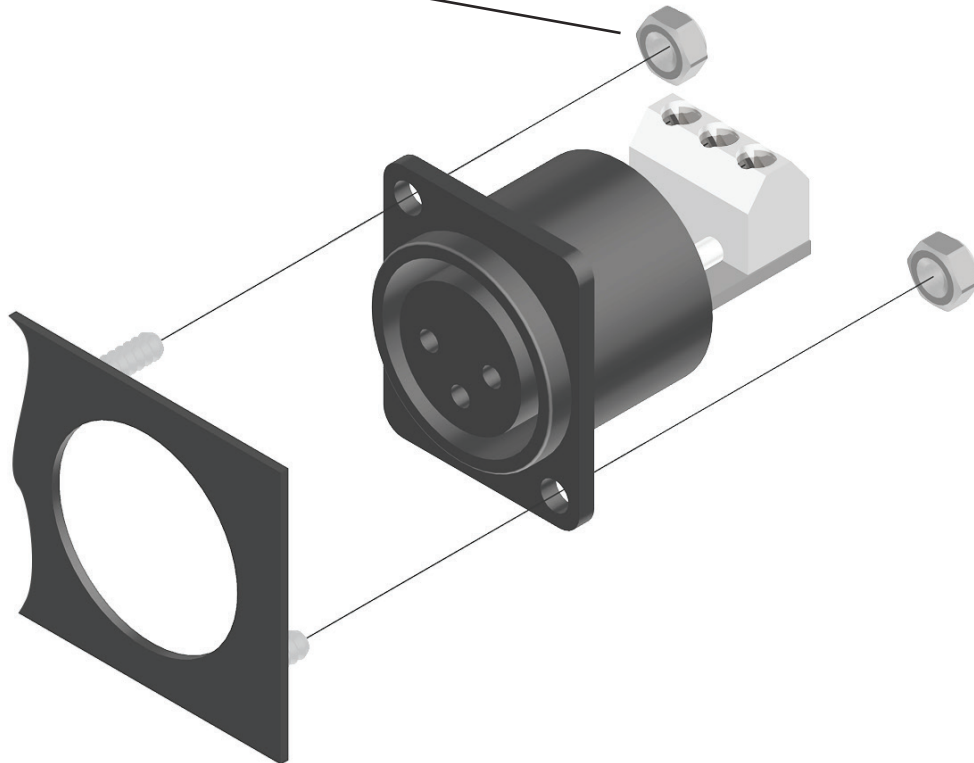
**APPLICATION:** The AMS-XLF is a metal female XLR connector equipped with a high quality terminal block for audio connections. The connector mounts in AMS mounting frames and in standard D-style cutouts.

**ACCESSORIES**  
**Model AMS-XLF**  
**XLR 3-Pin Female Jack**  
**Terminal block connections**

**Installation/Operation**

**CE** Declaration of Conformity available from rdlnet.com.  
Sole EMC specifications provided on product package.  
Specifications are subject to change without notice.

**STEP #1**  
SECURE THE AMS-XLF ONTO THE PEM STUDS WITH  
THE TWO NUTS INCLUDED WITH THE AMS OR DECORA  
MOUNTING PLATE.



Front View  
Standard D-Style Cutout Dimensions

**TYPICAL PERFORMANCE**

Mounting:	AMS mounts; D-Style cutouts
Depth (behind the panel):	1.35 in
Ambient Operating Environment:	-20 to 70 degrees C