

D SERIES DS5

TWO-WAY 5-INCH HIGH OUTPUT
SURFACE MOUNT LOUDSPEAKER



SPECIFICATIONS

Loudspeaker Type:	Two-way, full-range, coaxial surface mount loudspeaker, 8 ohm or 70V/100V operation
Operating Range¹:	65 Hz - 22 kHz
Frequency Response¹:	80 Hz - 20 kHz (± 5.2 dB)
Max Input Ratings (8 ohm):	100W continuous, 250W program 28 volts RMS, 63 volts momentary peak
Transformer Taps—70V:	60W, 30W, 15W, 7.5W and low impedance
100V:	60W, 30W, 15W
Sensitivity (1W/1m)¹:	93 dB SPL (125 Hz to 12.5 kHz 1/3 octave bands) 91 dB SPL (250 Hz to 4 kHz speech range)
Maximum Output¹:	113 dB SPL / 120 dB SPL (peak 8 ohm)
Nominal Impedance:	8 ohms
Minimum Impedance:	7.5 ohms @ 280 Hz
Nominal Coverage:	130° conical (+47° / -70°, 500 Hz to 6 kHz)
Axial Q / DI:	4.5 / 6.5, 500 Hz to 6 kHz
Crossover Frequency:	1.6 kHz
Recommended Signal Processing:	65 Hz, 24 dB/Oct high pass filter
Drivers:	LF 1 x 5-inch cone HF 1 x 1-inch exit compression driver
Driver Protection:	Self-resetting solid state circuit breaker
Input Connection:	4-screw Euroblock connector for two pair of 2-wire leads (uninterrupted whether the loudspeaker is connected or not) concealed in the base of the mounting bracket; and a 2-pin Euroblock connector on the loudspeaker enclosure
Controls:	Front-accessible wattage / low impedance selector switch hidden behind the rotatable logo
Enclosure:	ABS plastic, matte finish, paintable
Finish:	Black or white
Mounting/Rigging Provisions:	Infin-A-Ball™ mounting system with hidden internal wiring
Grille:	Powder-coated perforated marine-grade aluminum backed with color-matched foam or fabric backing. Black or white finish.
Safety Features:	Built-in safety cable attachment loop
Environmental:	IP55 rated loudspeakers, IP56 rated connector cover, designed to Mil Spec 810
Required Accessories:	Electronic high pass filter
Supplied Accessories:	Infin-A-Ball™ mounting bracket Hex wrench Flathead screwdriver
Optional Accessories:	DS-WMP Wall Mount Plate
Dimensions—Height:	12.9 inches (328 mm)
Width:	6.3 inches (160 mm)
Depth:	7.5 inches (191 mm)
Weight (without bracket):	10.3 lbs (4.7 kg)
Weight (with bracket):	10.8 lbs (4.9 kg)
Shipping Weight (Pairs):	26 lbs (11.8 kg)

NOTES:

- Sensitivity: On-wall pink noise measurement at 6ft (1.8m) at 10% power; extrapolated to 1 meter and an input of 2.83 volts RMS.
- Watts: All wattage figures are calculated using the rated nominal impedance.



APPLICATIONS

- Swimming pools
- Sports stadia, sports facilities
- Health and fitness clubs
- Houses of worship
- Retail environments
- Cruise ships
- Corporate training rooms
- Bars and restaurants

FEATURES

- Modern architectural design
- Same components and voicing as the Distributed Design ceiling loudspeaker family
- High efficiency, high output, high intelligibility, low distortion
- Paintable enclosure constructed of high-impact ABS plastic to reduce resonances
- Front-accessible power tap switch for selectable 8 ohm or 70V/100V operation
- Infin-A-Ball™ low profile mounting bracket included
- Weather-resistant construction with treated drivers, two-layer powder coated grilles and protected wiring ingress
- Available in standard black or white finishes

DESCRIPTION

The D SERIES Distributed Design DS5 is a full-range, compact, two-way system, ideal for installations where space is a premium. Easily outperforming loudspeakers of a larger size format, the DS5 provides high power handling, high sensitivity and realistic sound reproduction. With a modern architectural appearance that aesthetically merges well in most environments, combined with weather-resistant capability suitable for indirect outdoor use, the DS5 can be used in a wide variety of speech and music applications. It is equipped with a built-in autoformer, allowing the full loudspeaker output to be realized with 70V or 100V distribution lines. A convenient front-accessible power tap switch is hidden behind a rotatable logo. Installation is simple and flexible using the included Infin-A-Ball™ multi-angle wall mounting bracket which allows low profile mounting and precise positioning of the enclosure over a broad tilt-swivel range.

Distributed Design

D SERIES DS5

TWO-WAY 5-INCH HIGH OUTPUT
SURFACE MOUNT LOUDSPEAKER

Distributed Design



Ceiling Mount



Surface Mount

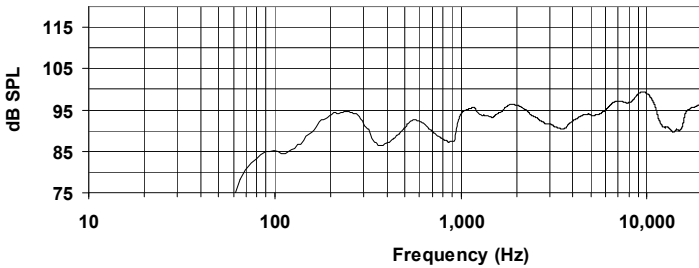


Pendant Mount

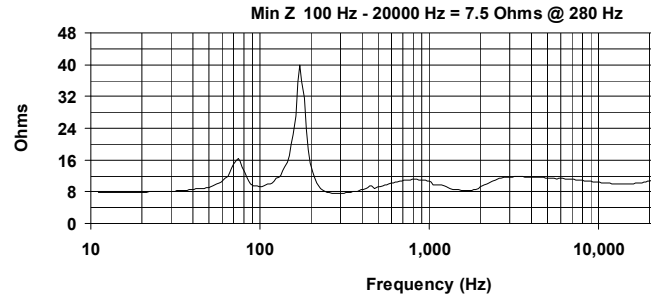


Architectural

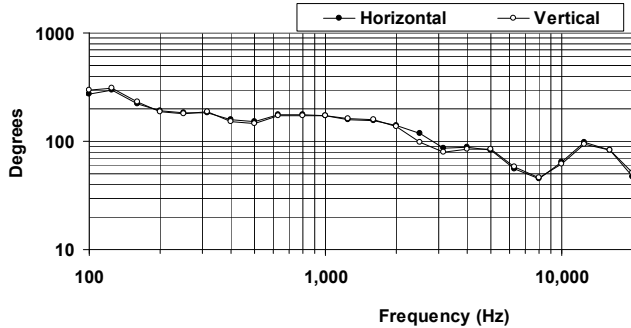
FREQUENCY RESPONSE



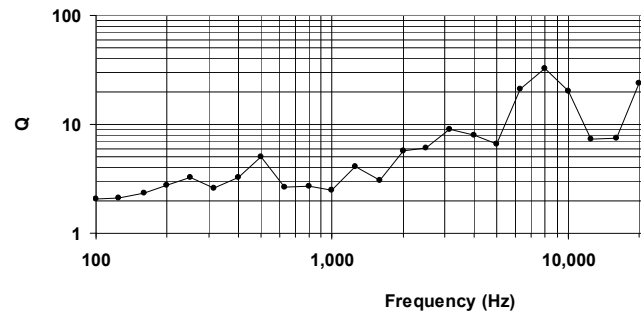
IMPEDANCE



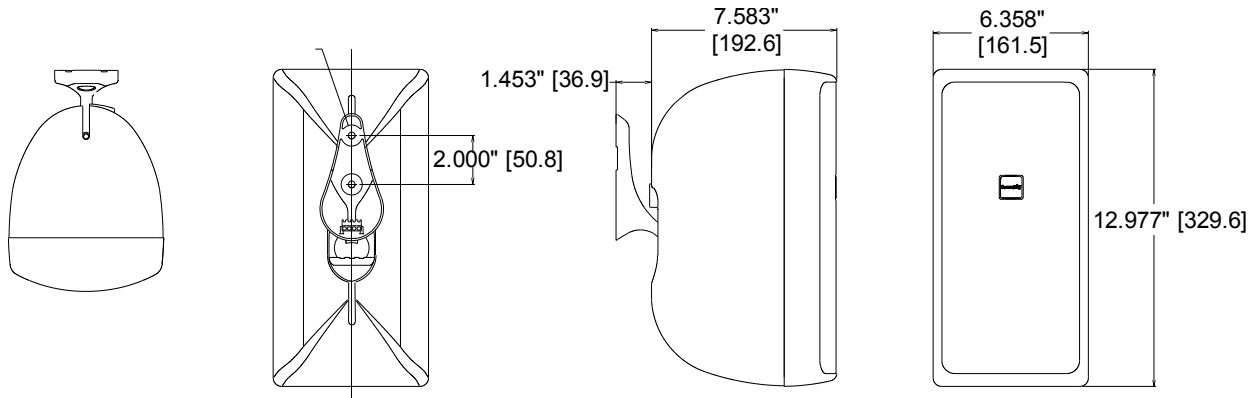
BEAMWIDTH



AXIAL Q



DIMENSIONS



ARCHITECTURAL SPECIFICATIONS

The loudspeaker system shall be a two-way, full-range compact system with a 5-inch low frequency transducer with patented Carbon Ring Cone Technology™ and a coaxially mounted 1-inch exit high frequency compression driver. The drivers shall be connected to an integral crossover with a crossover frequency of 1.6 kHz, with a self-resetting solid state circuit breaker for driver protection. The paintable enclosure shall be constructed of high-impact ABS plastic. The system shall have an amplitude response of 80 Hz to 20 kHz (+/- 5.2 dB) and a low impedance (8 ohm) input capability of 28V RMS. The sensitivity at 1W/1m shall be 93 dB (125 Hz to 12.5 kHz, 1/3 octave bands). The loudspeaker system shall have a conical coverage pattern of 130 degrees from 500 Hz to 6 kHz. The nominal system impedance shall be 8 ohms (in low impedance setting). The system shall be equipped with a 60W high performance autoformer for use in 70.7V or 100V distributed audio systems, with 60W, 30W, 15W and 7.5W taps available in 70.7V distributed systems (60W, 30W and 15W taps available in 100V distributed systems). An easily accessible front-face tap selector switch located behind a rotatable logo shall be available for selecting autoformer and low impedance settings. Dimensions shall be 12.9 inches (328 mm) high, 6.3 inches (160 mm) wide and 7.5 inches (191 mm) deep, with a loudspeaker weight of 10.3 lbs (4.7 kg).

Community strives to improve its products on a continual basis. Specifications are therefore subject to change without notice.