



MIXER ACCESSORY

DM7 CONTROL

Owner's Manual

Contents

PRECAUTIONS	3
<hr/>	
Introduction	7
<hr/>	
Intended User	7
Intended Usage	7
Accessories	7
Device License for Expansion	7
Firmware Updates	7
Available Documentation	7
Notational Conventions	7
Controls and Functions	8
<hr/>	
Top Panel	8
Rear Panel.....	9
Two Possible Applications	11
<hr/>	
Linking this Product with the DM7 Console	11
Using this Product as a Remote Controller.....	11
Linking with the DM7 Console	12
<hr/>	
Connecting the Product with the DM7 Console	13
<hr/>	
Creating a New Connection.....	13
If a Connection Has Already Been Established	13
Restoring the Factory Settings (Initialization)	13
<hr/>	
Attaching the Dust Cover	14
<hr/>	
Source Code Distribution	14
<hr/>	
Appendix	15
<hr/>	
General Specifications.....	15
Dimensions.....	16

PRECAUTIONS

PLEASE READ CAREFULLY BEFORE PROCEEDING

Please keep this manual in a safe place for future reference.



WARNING

Always follow the basic precautions listed below to avoid the possibility of serious injury or even death from electrical shock, short-circuiting, damages, fire or other hazards. These precautions include, but are not limited to, the following:

If you notice any abnormality

- If any of the following problems occur, immediately turn off the power switch and disconnect the electric plug from the outlet. In addition, disconnect the power supply from the [EXT DC INPUT] connector on the unit.
 - The power cord or plug becomes frayed or damaged.
 - Unusual smells or smoke are emitted.
 - Some object, or water has been dropped into the product.
 - Cracks or other visible damage appear on the product.
 Then have the product inspected or repaired by qualified Yamaha service personnel.

Power supply

- Do not place the power cord near heat sources such as heaters or radiators, and do not excessively bend or otherwise damage the cord, place heavy objects on it, or place it in a position where anyone could walk on, trip over, or roll anything over it.
- Only use the voltage specified as correct for the product. The required voltage is printed on the name plate of the product.
- Use the specified adaptor only. Using the wrong adaptor can result in damage to the product or overheating.
- Use the supplied power cord/plug only.

If you intend to use the product in an area other than in the one you purchased, the included power cord may not be compatible. Please check with your Yamaha dealer.
- Do not use the supplied cord/plug for other products.
- Check the electric plug periodically and remove any dirt or dust which may have accumulated on it.
- Make sure to fully insert the electric plug to prevent electric shocks or fire.
- When setting up the product, make sure that the AC outlet you are using is easily accessible. If some trouble or malfunction occurs, immediately turn off the power switch and disconnect the plug from the outlet. In addition, disconnect the connected power supply from the [EXT DC INPUT] connector. Even when the power switch is turned off, as long as the power cord is not unplugged from the wall AC outlet, the product will not be disconnected from the power source.
- Remove the electric plug from the outlet when the product is not to be used for extended periods of time.
- Do not touch the product or the electric plug during an electrical storm.

Connections

- Be sure to connect to an appropriate outlet with a protective grounding connection. Improper grounding can result in electrical shock, fire, or damage.

Do not open

- This product contains no user-serviceable parts. Do not attempt to disassemble the internal parts or modify them in any way.

Water warning

- Do not expose the product to rain, use it near water or in damp or wet conditions, or place on it any containers (such as vases, bottles or glasses) containing liquids which might spill into any openings.
- Never insert or remove an electric plug with wet hands.

Fire warning

- Do not place any burning items or open flames near the product, since they may cause a fire.

Hearing loss

- Before turning the power of all devices on or off, make sure that all volume levels are set to the minimum. Failing to do so may result in hearing loss, electric shock, or device damage.
- When turning on the AC power in your audio system, always turn on the power amplifier LAST, to avoid hearing loss and speaker damage. When turning the power off, the power amplifier should be turned off FIRST for the same reason.

CAUTION

Always follow the basic precautions listed below to avoid the possibility of physical injury to you or others. These precautions include, but are not limited to, the following:

Power supply

- Do not cover or wrap the AC adaptor with a cloth or blanket.
- When removing the electric plug from the product or an outlet, always hold the plug itself and not the cord. Pulling by the cord can damage it.

Location and connection

- Do not place the product in an unstable position or a location with excessive vibration, where it might accidentally fall over and cause injury.
- Keep this product out of reach of children. This product is not suitable for use in locations where children are likely to be present.
- Do not block the vents. This product has ventilation holes at the front to prevent the internal temperature from becoming too high. In particular, do not place the product on its side or upside down. Inadequate ventilation can result in overheating, possibly causing damage to the product(s), or even fire.
- Do not place the product in a location where it may come into contact with corrosive gases or salt air. Doing so may result in malfunction.
- Before moving the product, remove all connected cables.
- When transporting or moving the product and a linked DM7 series console together, two or more people must always carry the units. Attempting to lift the product by yourself may result in injuries, such as back injuries, or cause the product to be dropped and broken, which could lead to other injuries.

Maintenance

- Remove the power plug from the AC outlet when cleaning the product.

Handling caution

- Do not rest your weight on the product or place heavy objects on it.

NOTICE

To avoid the possibility of malfunction/damage to the product, damage to data, or damage to other property, follow the notices below.

Handling and maintenance

- Do not connect this product to public Wi-Fi and/or Internet directly. Only connect this product to the Internet through a router with strong password-protections. Consult your router manufacturer for information on security best practices.
- Do not use the product in the vicinity of a TV, radio, or other electric products. Otherwise, the product, TV, or radio may generate noise.
- Do not expose the product to excessive dust or vibration, or extreme cold or heat, in order to prevent the possibility of panel disfiguration, unstable operation, or damage to the internal components.
- Do not install in locations where temperature changes are severe. Otherwise, condensation may form on the inside or the surface of the product, causing it to break.
- If there is reason to believe that condensation might have occurred, leave the product for several hours without turning on the power until the condensation has completely dried out, in order to prevent possible damage.
- Do not place vinyl, plastic or rubber objects on the product, since this might cause alteration or discoloration of the panel.
- Clean the product with a dry and soft cloth. Do not wipe product surfaces with sodium hypochlorite, alcohol, benzene, paint thinners, cleaning fluids, or a chemical-impregnated wiping cloth, which could cause discoloration or change surface characteristics.
- Do not apply oil, grease, or contact cleaner to the faders. Doing so might cause problems with electrical contact or fader motion.

Information

About copyrights

- Copying of the software or reproduction of this manual in whole or in part by any means is expressly forbidden without the written consent of the manufacturer.

About functions/data bundled with the product

- The open source license used with this product can be checked on the small displays of the unit. For more details, refer to the DM7 Series Reference Manual.

About this manual

- The illustrations as shown in this manual are for instructional purposes only.
- Yamaha Corporation makes no representations or warranties with regard to the use of the software and documentation and cannot be held responsible for the results of the use of this manual and the software.
- The company names and product names in this manual are the trademarks or registered trademarks of their respective companies.
- Windows is a registered trademark of Microsoft Corporation in the United States and other countries.
- Apple and Mac are trademarks of Apple Inc. registered in the United States and other countries.
- Software may be revised and updated without prior notice.

About disposal

- This product contains recyclable components. When disposing of this product, please contact the appropriate local authorities.

Yamaha cannot be held responsible for damage caused by improper use or modifications to the product, or data that is lost or destroyed.

The model number, serial number, power requirements, etc., may be found on or near the name plate, which is at the bottom of the unit. You should note this serial number in the space provided below and retain this manual as a permanent record of your purchase to aid identification in the event of theft.

Model No.

Serial No.

(1003-M06 plate bottom en 01)

FCC INFORMATION (U.S.A.)

1. IMPORTANT NOTICE: DO NOT MODIFY THIS UNIT!

This product, when installed as indicated in the instructions contained in this manual, meets FCC requirements. Modifications not expressly approved by Yamaha may void your authority, granted by the FCC, to use the product.

2. IMPORTANT:

When connecting this product to accessories and/or another product use only high quality shielded cables. Cable/s supplied with this product MUST be used. Follow all installation instructions. Failure to follow instructions could void your FCC authorization to use this product in the USA.

3. NOTE:

This product has been tested and found to comply with the requirements listed in FCC Regulations, Part 15 for Class "B" digital devices. Compliance with these requirements provides a reasonable level of assurance that your use of this product in a residential environment will not result in harmful interference with other electronic devices. This equipment generates/uses radio frequencies and, if not installed and used according to the instructions found in the users manual, may cause interference harmful to the operation of other electronic devices. Compliance with FCC regulations does not guarantee that interference will not occur in all installations. If this product is found to be the source of interference, which can be determined by turning the unit "OFF" and "ON"; please try to eliminate the problem by using one of the following measures:

- Relocate either this product or the device that is being affected by the interference.
- Utilize power outlets that are on different branch (circuit breaker or fuse) circuits or install AC line filter/s.
- In the case of radio or TV interference, relocate/reorient the antenna. If the antenna lead-in is 300 ohm ribbon lead, change the lead-in to co-axial type cable.

If these corrective measures do not produce satisfactory results, please contact the local retailer authorized to distribute this type of product. If you cannot locate the appropriate retailer, please contact Yamaha Corporation of America, 6600 Orangethorpe Avenue, Buena Park, CA 90620, U.S.A.

The above statements apply ONLY to those products distributed by Yamaha Corporation of America or its subsidiaries.

(529-M04 FCC class B YCA 02)

COMPLIANCE INFORMATION STATEMENT (Supplier's declaration of conformity procedure)

Responsible Party: Yamaha Corporation of America
Address: 6600 Orangethorpe Avenue, Buena Park, CA. 90620, U.S.A.
Telephone: 714-522-9011
Type of Equipment: Mixer Accessory
Model Name: CTL-DM7

This device complies with Part 15 of the FCC Rules.

Operation is subject to the following two conditions:

- 1) this device may not cause harmful interference, and
- 2) this device must accept any interference received, including interference that may cause undesired operation.

(529-M02 FCC sdoc YCA 02)

Information for users on collection and disposal of old equipment:



This symbol on the products, packaging, and/or accompanying documents means that used electrical and electronic products should not be mixed with general household waste.

For proper treatment, recovery and recycling of old products, please take them to applicable collection points, in accordance with your national legislation.

By disposing of these products correctly, you will help to save valuable resources and prevent any potential negative effects on human health and the environment which could otherwise arise from inappropriate waste handling.

For more information about collection and recycling of old products, please contact your local municipality, your waste disposal service or the point of sale where you purchased the items.

For business users in the European Union:

If you wish to discard electrical and electronic equipment, please contact your dealer or supplier for further information.

Information on Disposal in other Countries outside the European Union:

This symbol is only valid in the European Union. If you wish to discard these items, please contact your local authorities or dealer and ask for the correct method of disposal.

(58-M02 WEEE en 01)

Introduction

Thank you for purchasing the Yamaha DM7 Control. To take full advantage of the product's functionality, please read this manual before you begin using the product. Afterwards, please keep this manual in a safe place.

Intended User

This product is designed for individuals who are capable of operating a mixing console for use with a PA system in concert halls, at musical events, or in recording studios.

Intended Usage

You can use this product along with the DM7 or DM7 Compact digital mixing console (hereinafter, called a DM7 console) to expand the functionality of the console and improve operational efficiency.

Accessories

- Power cord × 1
(Multiple AC power cords which have different kinds of plug shapes may be included depending on the region.)
- DEK-DM7-BR LICENSE CODE leaflet
- DEK-DM7-TH LICENSE CODE leaflet
- Owner's Manual (this book)

Device License for Expansion

You can add more functionality to your DM7 console for broadcasting or theatre applications by updating the firmware and activating a Device License using the license code, which makes the DM7 Control more flexible and convenient. For more information on how to activate a Device License, refer to the included LICENSE CODE leaflets.

Device License for Expansion	Target Application
DEK-DM7-BR	Broadcasting
DEK-DM7-TH	Theatre

For more information on functionality, refer to the DM7 Series Reference Manual.

Firmware Updates

You can update the unit firmware to improve the operation, add functions, and correct possible malfunctions. Information on updating the firmware can be found on the following website.

<https://www.yamahaproaudio.com/>

For information on updating and setting up the unit, please refer to the firmware update guide available on the website.

Available Documentation

Owner's Manual (this book)

This book primarily explains panel controls and functions.

DM7 Series Reference Manual

This manual provides detailed explanations of all screens and functions, and step-by-step procedures to operate the DM7, DM7 Compact, and DM7 Control.

<https://manual.yamaha.com/pa/mixers/dm7/rm/>



All of these manuals can be downloaded from the Yamaha website. If necessary, you can view updated manual information, which is always posted on the Yamaha website. <https://download.yamaha.com/>

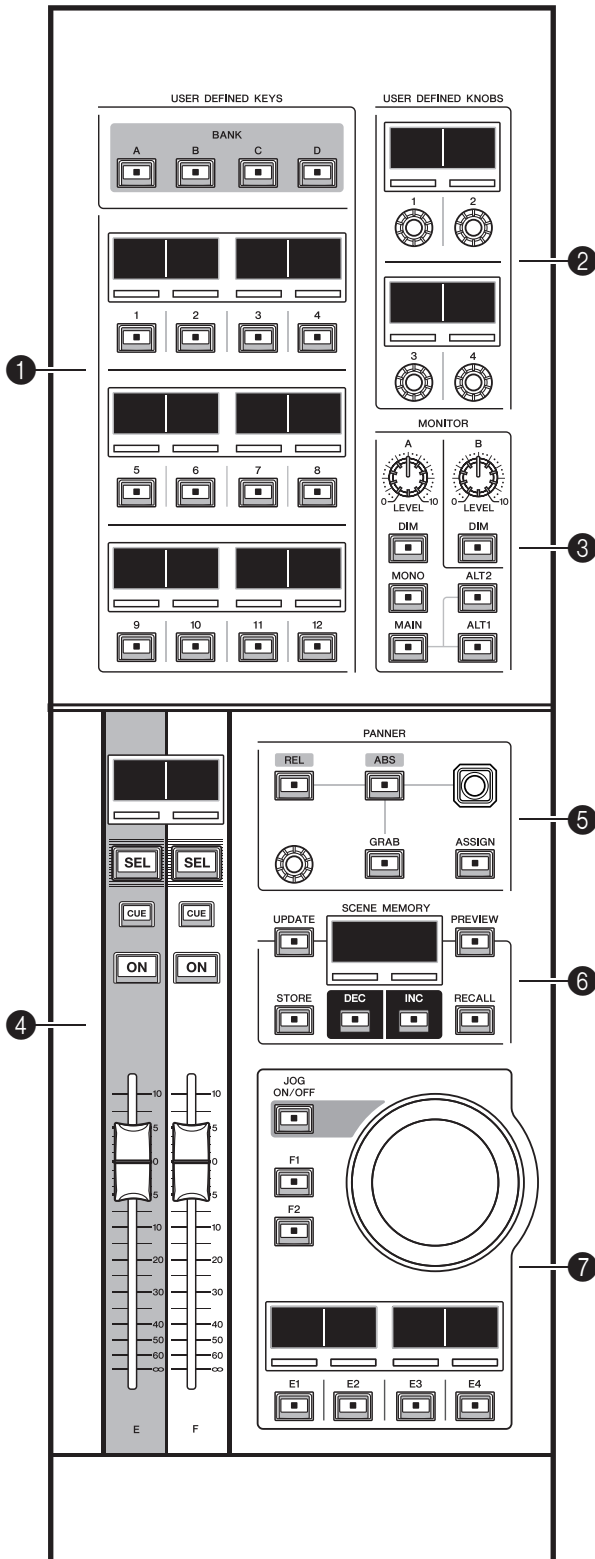
Notational Conventions

In this manual, switch-type controllers on the panel are called "keys." Controls located on the panel are enclosed in square brackets [] (e.g., [HOME]) to distinguish them from virtual buttons and knobs displayed on screen.

Controls and Functions

Top Panel

For more information, refer to the DM7 Series Reference Manual.



1 [USER DEFINED KEYS]

This section enables you to control the assigned functions. Use the [BANK] keys to switch banks. Assign functions from the DM7 console screen.

2 [USER DEFINED KNOBS]

This section enables you to control the assigned functions. You can assign four functions to these knobs. They are not organized into banks. Assign functions from the DM7 console screen.

3 [MONITOR]

In this section, use the [LEVEL A] or [LEVEL B] knob to adjust the output level of the monitoring signals. In addition, these knobs enable you to operate the DIMMER function when you turn on the corresponding [DIM] key.

In the Monitor A subsection, press the [MONO] key to switch Out Mode to MONO. To switch among the Output monitoring sources, use the [MAIN], [ALT1], and [ALT2] keys.

4 Channel Strip section

In this section, you can control the CUSTOM FADER channel strips for channels E and F assigned on the DM7 console.

5 [PANNER]

This section enables you to control the PANNER function. Use the joystick to control the PANNER in the X-Y direction, and use the encoder to control the PANNER in the Z direction. You can assign the function that you wish to operate to the encoder. Use the [REL] and [ABS] keys to switch between relative and absolute values for distance. Press the [GRAB] key to immediately apply the PANNER position. In addition, use the [ASSIGN] key to display the screen (that is linked to the PANNER function) on the DM7 console.

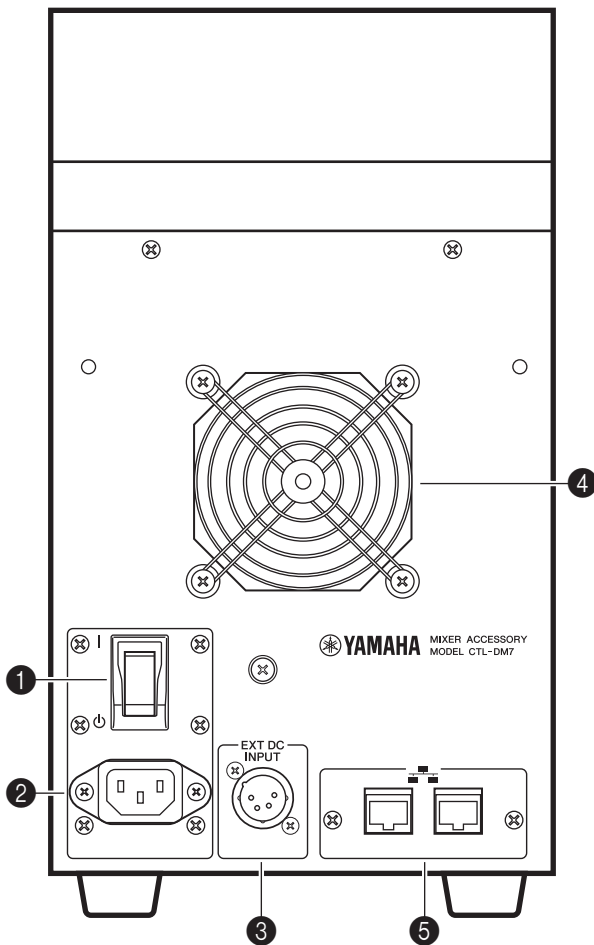
6 [SCENE MEMORY]

This section enables you to control scene memories. The currently-selected scene memory number appears on the SCENE MEMORY display.

7 Jog Wheel section

This section enables you to use the jog wheel, and keys [F1], [F2], or [E1] through [E4] to control the function that is assigned in advance. The name of the function assigned to keys [E1] through [E4] appears in the corresponding small displays. Assign functions from the DM7 console screen.

Rear Panel



1 [I]/[⏻] (Power switch)

Toggles between power on (I) and off (⏻). If you plan not to use the unit for a long period of time, be sure to remove the power cord from the AC outlet.

NOTICE

Turning the unit on and off in rapid succession can cause it to malfunction. After turning the unit off, wait at least six seconds before turning it on again.

2 AC IN connector

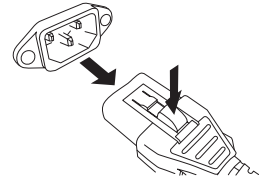
Use this socket to connect the supplied power cord. First connect the AC power cord to this unit, and then insert the power cord plug into an AC outlet. Insert the cord plug all the way until it locks in place securely. The supplied AC power cord features a V-lock latch mechanism, which prevents the power cord from disconnecting accidentally.



CAUTION

Be sure to turn off the power to the unit before connecting or disconnecting the power cord.

To disconnect each power cord, remove it while pressing the latch on the plug.



3 [EXT DC INPUT]

This is an XLR 4-pin chassis connector that provides external power supply (DC 24 V) as a backup for the internal power supply of this product. For this connector, use the Yamaha PA-700 AC Adaptor or an equivalent item recommended by Yamaha.

To connect the AC adaptor, first connect the AC adaptor cord to the AC adaptor, and then insert the DC plug into this connector. Finally, insert the power cord plug into an AC outlet.



CAUTION

- Be sure to turn off the power to the external power supply before connecting it. Otherwise, component failure or electric shock may occur.
- For the [EXT DC INPUT] connector, be sure to use a power supply rated at DC 24 V that satisfies LPS (Limited Power Source) requirements.

NOTE

- You cannot use the power switch on this product to turn the power to the product on or off if an external power supply is connected.
- This product will operate normally when either one or both of the internal and external power supplies are turned on.
- If both power supplies are turned on and then one of the power supplies fails during operation, the unit will continue to operate normally.

4 Cooling vent

This product is equipped with a cooling fan. This vent lets warm air escape from the unit. Make sure that you do not block the vent with any object. The air is taken in through the ventilation ports under the front.



CAUTION

Do not block the ventilation ports (heat dissipating slits) on this product. This product has ventilation ports at the front to prevent the internal temperature from becoming too high. If the ventilation ports are blocked, heat will get trapped inside the product, which may cause malfunction or fire.

5 Network connectors

These RJ-45 connectors allow the unit to be connected to a computer via an Ethernet cable (CAT5e or higher recommended). In this way, you can control the unit externally from supported application software, such as DM7 Editor.

Since the L2 switch is built in, you can set up this product to share and link functions with the DM7 console by connecting one of these connectors to the DM7 console and the other to a computer. These connectors do not support a redundant connection.

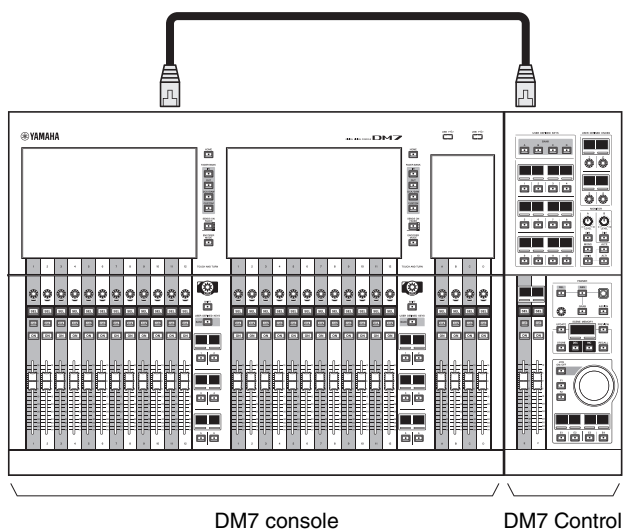
NOTICE

Use an STP (Shielded Twisted Pair) cable to prevent electromagnetic interference.

Two Possible Applications

For more information, refer to the DM7 Series Reference Manual.

Linking this Product with the DM7 Console



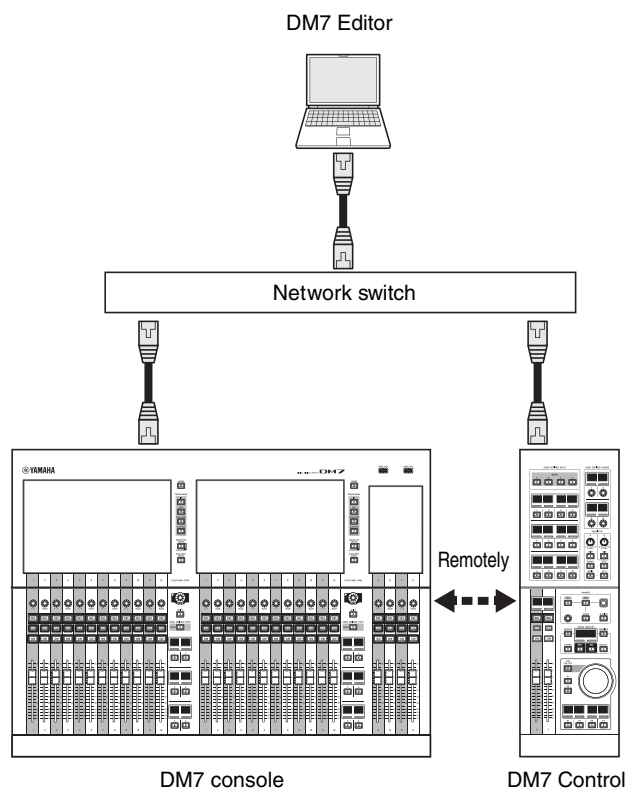
You can link up and affix this product to the DM7 console using joint metal brackets. (“Linking with the DM7 Console” → page 12)

Use a network cable to connect these units, and operate this product while viewing the screens on the DM7 console.

NOTE

If this product is linked with the DM7 console, it will operate as if it is an integral part of the console.

Using this Product as a Remote Controller



You can use this product (which is connected via a network cable) in another location on the network, remote from the DM7 console.

In addition, connecting the product to a computer would enable you to operate it while viewing the screens in DM7 Editor.

NOTE

If you use this product as a remote controller, some of the functions will operate independently from the DM7 console.

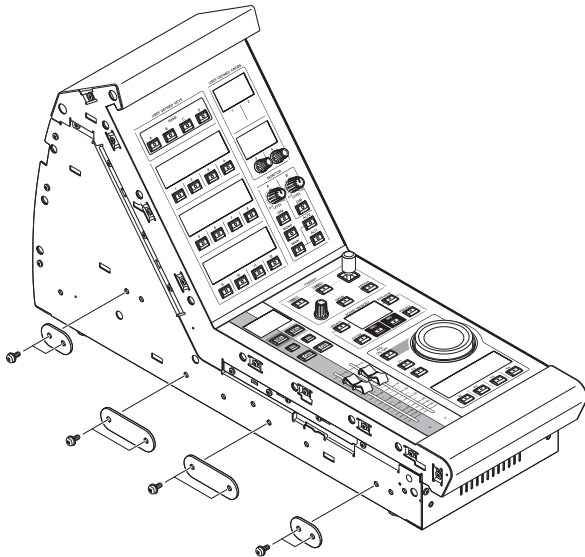
Linking with the DM7 Console

- 1. Remove the joint metal brackets and screws from this product.**

Four metal brackets and eight screws have been attached to this product.

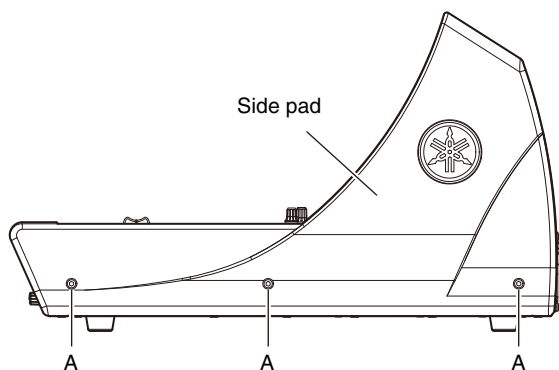
NOTE

If you do not need to use these metal brackets and screws any more, we recommend that you reattach them to the product.

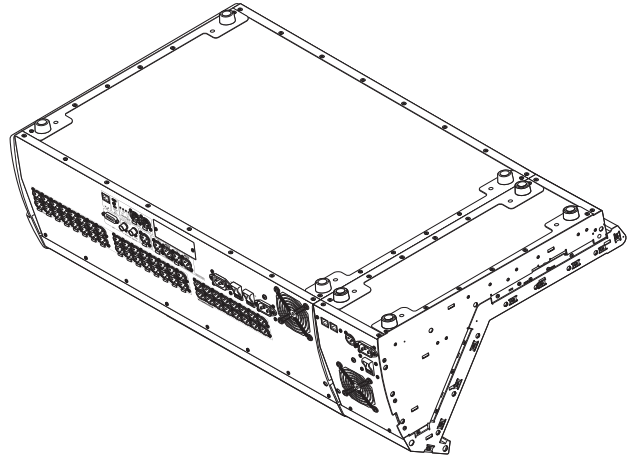


- 2. Remove the side pad of the DM7 console from the side panel to which you plan to attach this product.**

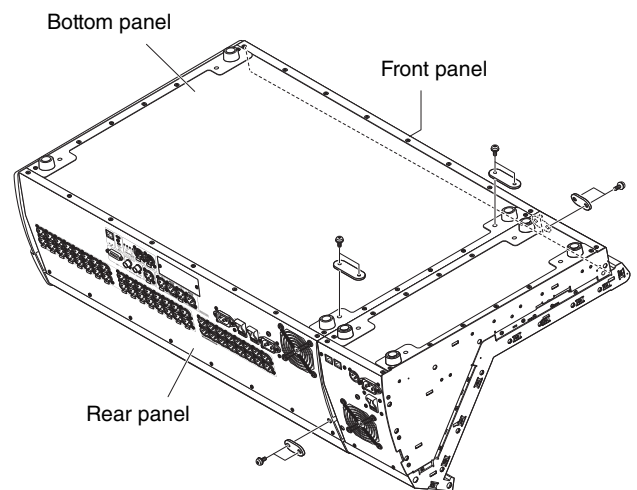
Remove all three screws (A) from the side pad. You can attach this product to either side of the DM7 console.



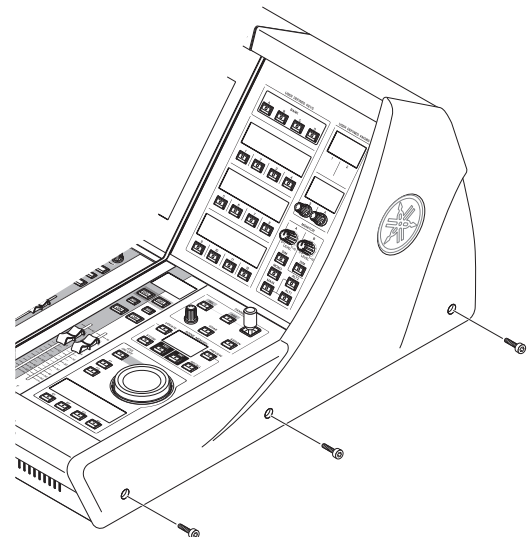
- 3. Place this product and DM7 console upside down, and align them together.**



- 4. Attach all four metal brackets using the screws. (Rear panel: one location; bottom panel: two locations; front panel: one location)**
Tighten the screws to secure all metal brackets.



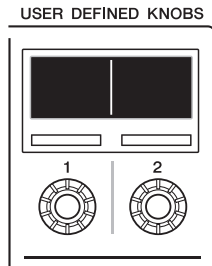
- 5. Turn the linked DM7 console and this product back to the original position, and then attach the side pad to this product.**



Connecting the Product with the DM7 Console

For more information, refer to the DM7 Series Reference Manual.

The following procedure requires the use of the small displays and encoders located in the upper part of the [USER DEFINED KNOBS] section.



Encoder [1]: Press this encoder to cancel the menu or display screen, or to return to the previous menu or display screen.

Encoder [2]: Rotate this encoder clockwise to select the next menu or display screen. Rotate it counterclockwise to return to the previous menu or display screen. Press this encoder to execute the function or confirm the selection.

NOTE

Press encoders [1] and [2] simultaneously to open the Menu screen.

Creating a New Connection

1. Setup the network.

If you create a connection for the first time, start this product to automatically open the Menu screen. From the Menu screen, proceed to the Network screen.

■ Using DHCP

Select DHCP for Mode in the Network screen.

■ Using Static IP

Select Static IP for Mode in the Network screen. Once you specify the IP address setting, proceed to subsequent screens to specify Subnet Mask and Default Gateway correctly.

2. Connect the DM7 console.

From the Menu screen, proceed to the Connection screen.

■ Selecting the detected DM7 console

In the Connection screen, rotate encoder [2] clockwise to display the detected DM7 console. Select it as the connection destination.

■ Specifying the IP address of the connection destination directly

From the Connection screen, proceed to the Direct IP screen, and then enter the IP address.

If a Connection Has Already Been Established

If the DM7 console on the same network is detected, this product will automatically connect to the console. If automatic connection does not work, follow the steps for creating a new connection.

NOTE

If the connection has already been established and you wish to open the Menu screen, press encoders [1] and [2] in the [USER DEFINED KNOBS] section simultaneously.

Restoring the Factory Settings (Initialization)

If an error occurs in the unit's internal memory, you can initialize the internal memory.

NOTICE

When you initialize the internal memory, all content that had been saved in memory will be erased. Be aware of it.

Press and hold down the [SEL] keys for channels E and F in the Channel Strip section while turning on the power to the unit.

The system reverts to factory settings.

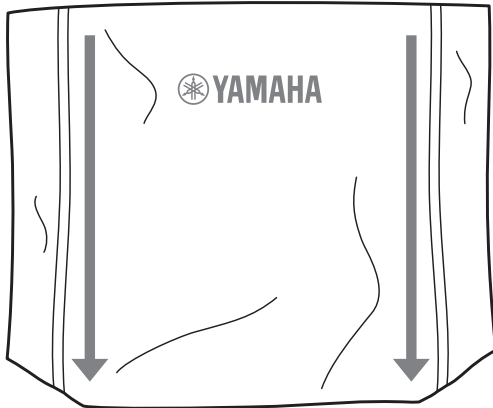
NOTE

For more information, refer to the DM7 Series Reference Manual.

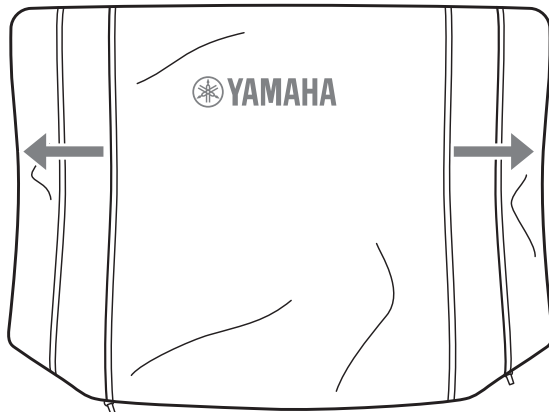
Attaching the Dust Cover

The dust cover that came with the DM7 console can accommodate both this product and a linked DM7 console. The following figure illustrates the dust cover for the DM7 console.

1. Open the zippers from the rear end to the front end.



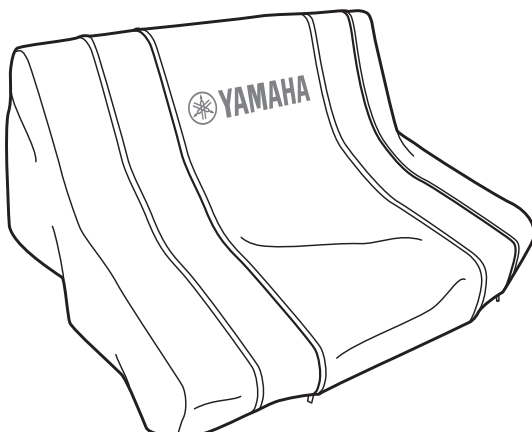
2. Open the zippers completely, and unfold both sides of the cover.



3. Place the dust cover onto this product and the linked DM7 console.

NOTE

The tabs for the zippers are now located at the front end of the dust cover. You can move these tabs back to the rear end if you desire.



Source Code Distribution

For three years after the final factory shipment, you may request from Yamaha the source code for any portions of the product which are licensed under the GNU General Public License / GNU Lesser General Public License / RealNetworks Public Source License by writing to the following address:

10-1 Nakazawa-cho, Naka-ku, Hamamatsu,
430-8650, JAPAN

Global Marketing & Sales Department, Professional
Solutions Division, Audio Products Business Unit,
Yamaha Corporation

The source code will be provided at no charge; however, we may require you to reimburse Yamaha for the cost of delivering the source code to you. The source code can be downloaded by visiting the following URL:

<https://www.yamahaproaudio.com/>

- Note that we shall bear no responsibility whatsoever for any damage arising from changes (additions/deletions) made to the software for this product by a third party other than Yamaha (or party authorized by Yamaha).
- Note that re-use of source code released to the public domain by Yamaha is not guaranteed. Yamaha shall not bear any responsibility whatsoever for the source code.

Appendix

General Specifications

Fader		100 mm touch-sensitive motorized fader × 2
Power Requirements	AC INPUT	AC 100-240 V, 50/60 Hz; AC power input: V-lock type
	EXT DC INPUT	DC 24 V±1.2 V, 0.78 A or higher, XLR 4-pin chassis connector* ¹
Power Consumption		20 W
Dimensions (W × H × D)	DM7 Control only	191 mm × 323 mm × 562 mm (including link brackets and screws, and rubber feet)
	Linked With DM7	973 mm × 324 mm × 564 mm (including side pads and rubber feet)
	Linked with DM7 Compact	648 mm × 324 mm × 564 mm (including side pads and rubber feet)
Weight		7 kg
NC Value * ²	Fan Speed LOW	NC=20
	Fan Speed HIGH	NC=30
Operating Temperature Range		Min: 0°C, Max: 40°C
Storage Temperature Range		Min: -20°C, Max: 60°C
Accessories		Owner's Manual, AC power cord, DEK-DM7-BR LICENSE CODE leaflet, DEK-DM7-TH LICENSE CODE leaflet
Optional Items		PA-700 AC Adaptor

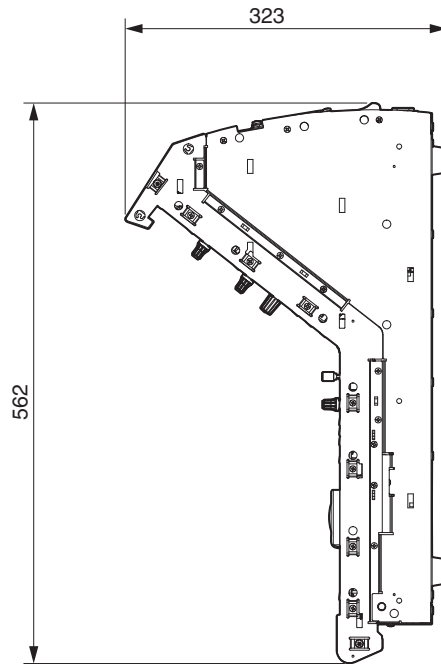
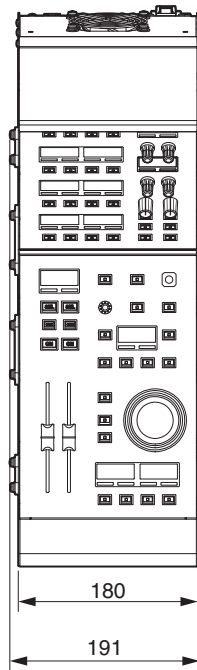
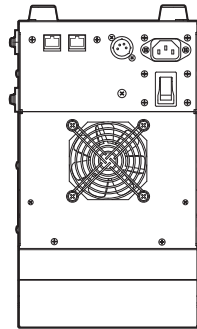
*1. 4pin=DC 24 V, 1pin=GND, 2,3pin=N.C.

*2. Measured 30 cm horizontally away and vertically up from the unit (front pad).

The contents of this manual apply to the latest specifications as of the publishing date. To obtain the latest manual, access the Yamaha website then download the manual file.

Dimensions

DM7 Control

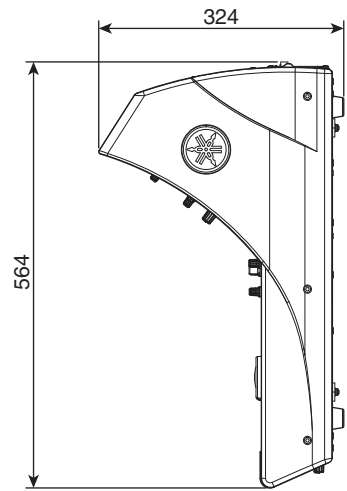
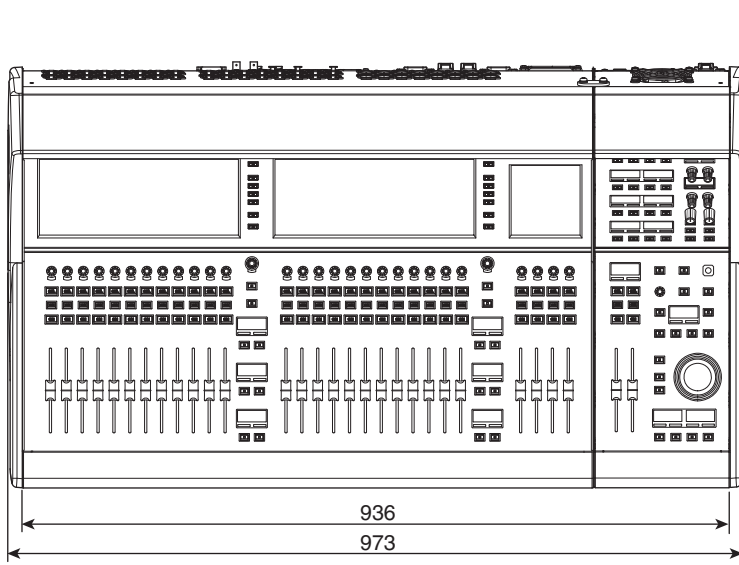


Approximate Munsell value of exterior color: N2.25

Unit: mm

The following figures illustrate examples of this product linked on the right side of the console.

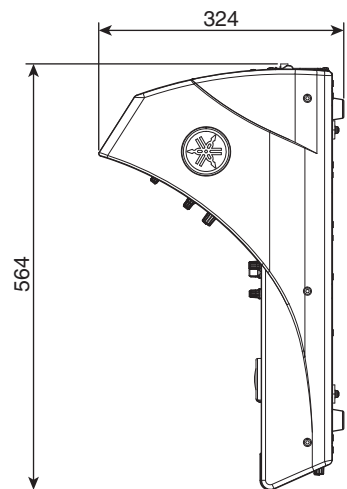
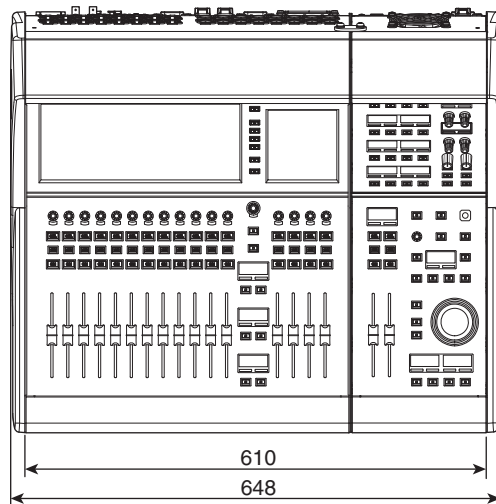
DM7 Control linked with DM7



Approximate Munsell value of exterior color: N2.25

Unit: mm

DM7 Control linked with DM7 Compact



Approximate Munsell value of exterior color: N2.25

Unit: mm

Yamaha Worldwide Representative Offices

English

For details on the product(s), contact your nearest Yamaha representative or the authorized distributor, found by accessing the QR code below.

Deutsch

Wenden Sie sich für nähere Informationen zu Produkten an einen Yamaha-Vertreter oder autorisierten Händler in Ihrer Nähe. Diese finden Sie mithilfe des QR-Codes unten.

Français

Pour obtenir des informations sur le ou les produits, contactez votre représentant ou revendeur agréé Yamaha le plus proche. Vous le trouverez à l'aide du QR code ci-dessous.

Español

Para ver información detallada sobre el producto, contacte con su representante o distribuidor autorizado Yamaha más cercano. Lo encontrará escaneando el siguiente código QR.

Italiano

Per dettagli sui prodotti, contattare il rappresentante Yamaha o il distributore autorizzato più vicino, che è possibile trovare tramite il codice a matrice in basso.

Português

Para mais informações sobre o(s) produto(s), fale com seu representante da Yamaha mais próximo ou com o distribuidor autorizado acessando o código QR abaixo.

Русский

Чтобы узнать подробнее о продукте (продуктах), свяжитесь с ближайшим представителем или авторизованным дистрибьютором Yamaha, воспользовавшись QR-кодом ниже.

简体中文

如需有关产品的详细信息，请联系距您最近的Yamaha代表或授权经销商，可通过访问下方的二维码找到这些代表或经销商的信息。

繁體中文

如需產品的詳細資訊，請聯絡與您距離最近的 Yamaha 銷售代表或授權經銷商，您可以掃描下方的 QR 碼查看相關聯絡資料。

한국어

제품에 대한 자세한 정보는 아래 QR 코드에 액세스하여 가까운 Yamaha 담당 판매점 또는 공식 대리점에 문의하십시오.



https://manual.yamaha.com/pa/address_list/

Head Office/Manufacturer: Yamaha Corporation 10-1, Nakazawa-cho, Naka-ku, Hamamatsu, 430-8650, Japan

Importer (European Union): Yamaha Music Europe GmbH Siemensstrasse 22-34, 25462 Rellingen, Germany

Importer (United Kingdom): Yamaha Music Europe GmbH (UK) Sherbourne Drive, Tilbrook, Milton Keynes, MK7 8BL, United Kingdom

PA60

MEMO

Yamaha Pro Audio global website
<https://www.yamahaproaudio.com/>
Yamaha Downloads
<https://download.yamaha.com/>

© 2023 Yamaha Corporation
Published 06/2023
IPEM-A0



VGK8680